



VEHICLE	KIT	CROSSBAR
Honda HR-V Gen3 5dr SUV	DK522	SZ118
RUNNING DATES	2021 -	
VEHICLE NOTES	See page .2 for further details	

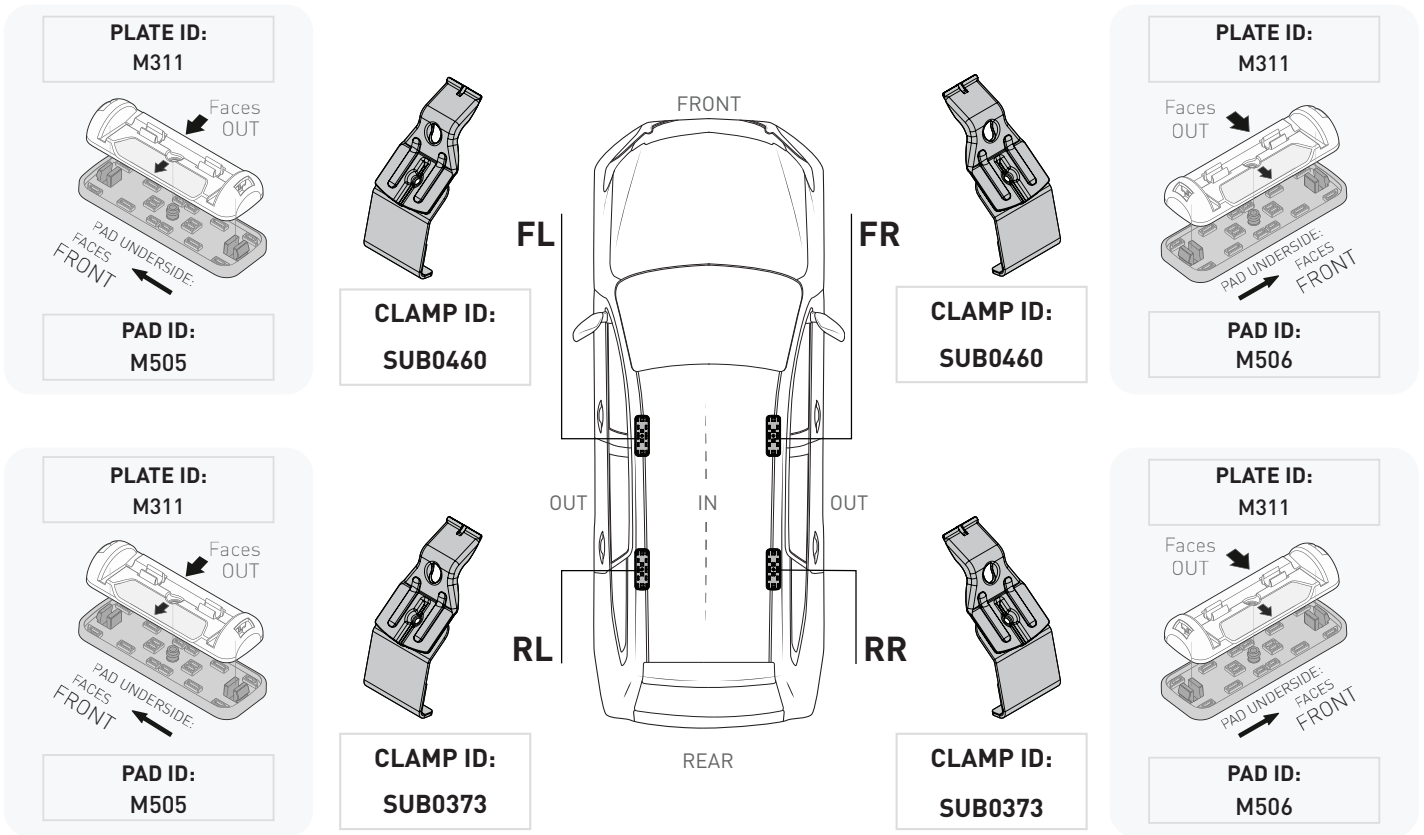
VISIT THE ONLINE CALCULATOR FOR CURRENT SYSTEM LOAD LIMIT DATA



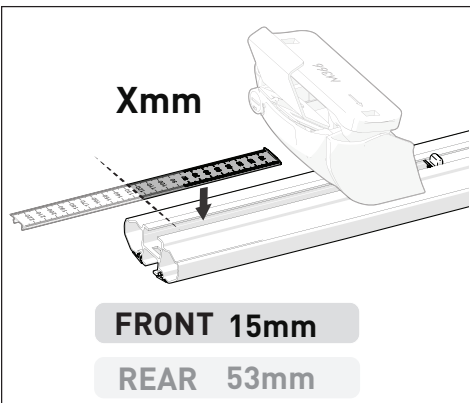
DYNAMIC ROAD LOAD LIMIT (NOTE: DIFFERENT ON AND OFF ROAD CARGO LIMIT)
***USE THE VEHICLE MANUFACTURER'S MAXIMUM ROOF ALLOWANCE IF IT IS LOWER THAN THE FIGURE LISTED**

 LOAD LIMIT	 SYSTEM WEIGHT	 ON ROAD CARGO LIMIT	 OFF ROAD CARGO LIMIT (ON ROAD CARGO LIMIT / 2)
UP TO 75 kg * 165 lb	— 5 kg 11lb	= UP TO 70 kg 154 lb	OR UP TO 35 kg 77 lb

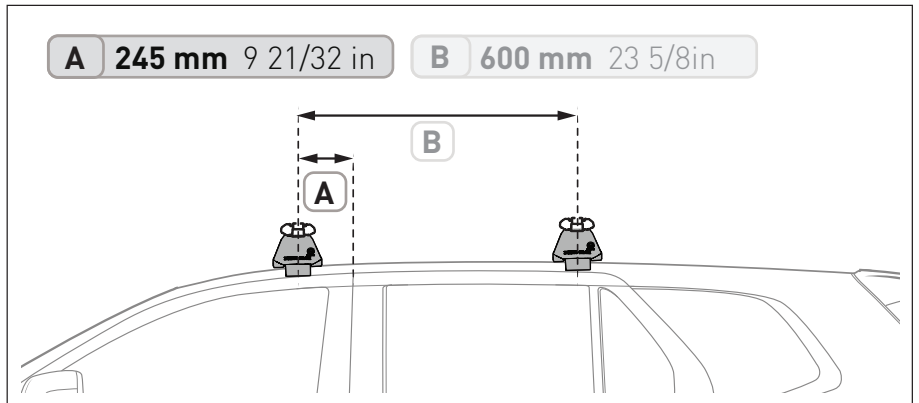
PAD AND CLAMP DETAILS



MEASUREMENT STRIPS



VEHICLE POSITIONING



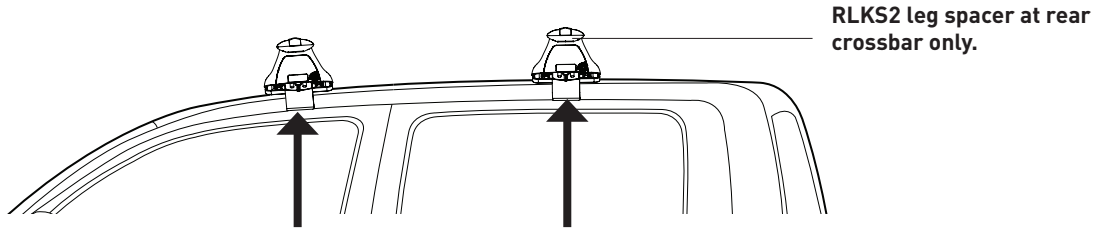
NOTES FOR DEALERS / FITTERS

It is your responsibility to ensure these fitting instructions are given to the end user or client.

Document No: R4644
 Issue No: 1
 Issue Date: 6-Jan-25



VEHICLE		KIT	CROSSBAR
Honda HR-V Gen3 5dr SUV		DK522	SZ118
RUNNING DATES	2021 -		
VEHICLE NOTES			



RLKS2 leg spacer at rear crossbar only.

Honda has indented arrows in the door jambs (visible when doors are opened) to indicate placement of roof racks. Place Front and Rear crossbars above the indicators and cross-check by using the table below



NOTES FOR DEALERS / FITTERS

It is your responsibility to ensure these fitting instructions are given to the end user or client.