



VEHICLE	KIT	CROSSBAR
Honda Civic Gen11 5dr Hatchback	DK521	SZ118
<b>RUNNING DATES</b>	2021 -	
<b>VEHICLE NOTES</b>	See page .2 for further details	

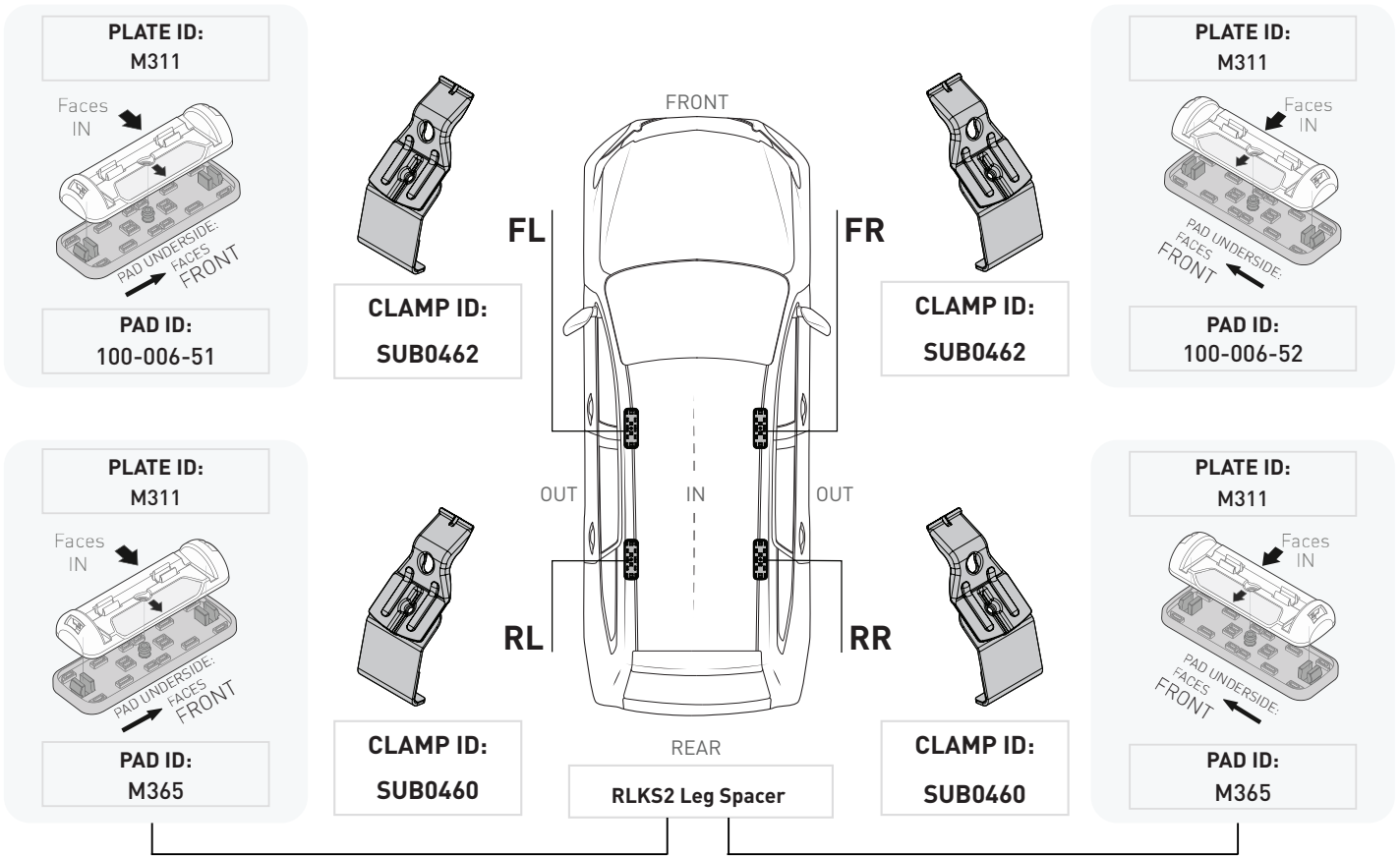
VISIT THE ONLINE CALCULATOR FOR CURRENT SYSTEM LOAD LIMIT DATA



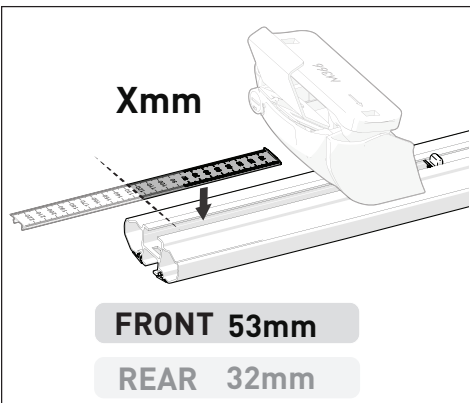
**DYNAMIC ROAD LOAD LIMIT** (NOTE: DIFFERENT ON AND OFF ROAD CARGO LIMIT)  
**\*USE THE VEHICLE MANUFACTURER'S MAXIMUM ROOF ALLOWANCE IF IT IS LOWER THAN THE FIGURE LISTED**

 LOAD LIMIT	 SYSTEM WEIGHT	 ON ROAD CARGO LIMIT	 OFF ROAD CARGO LIMIT (ON ROAD CARGO LIMIT / 2)
UP TO <b>75 kg *</b> <b>165 lb</b>	<b>— 5 kg</b> <b>11lb</b>	<b>= UP TO 70 kg</b> <b>154 lb</b>	<b>OR UP TO 35 kg</b> <b>77 lb</b>

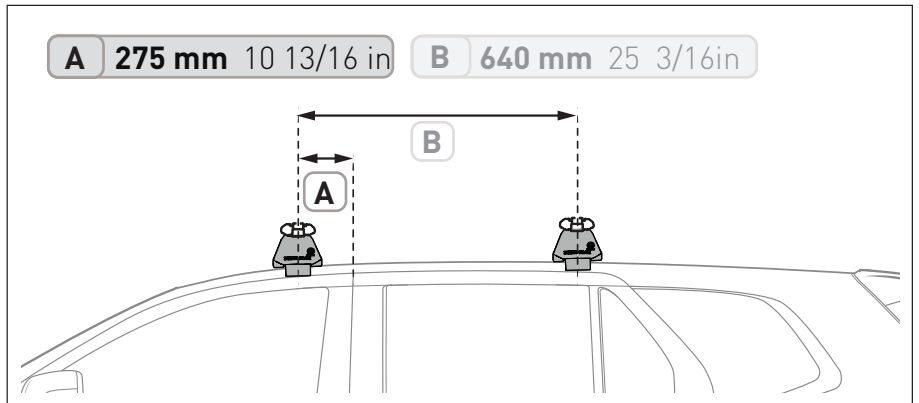
### PAD AND CLAMP DETAILS



### MEASUREMENT STRIPS



### VEHICLE POSITIONING



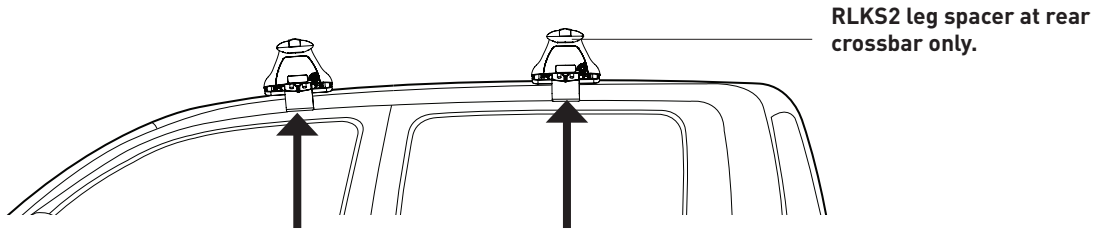
### NOTES FOR DEALERS / FITTERS

It is your responsibility to ensure these fitting instructions are given to the end user or client.

Document No: R4643  
 Issue No: 1  
 Issue Date: 6-Jan-25



VEHICLE		KIT	CROSSBAR
Honda Civic Gen11 5dr Hatchback		DK521	SZ118
RUNNING DATES	2021 -		
VEHICLE NOTES			



RLKS2 leg spacer at rear crossbar only.

Honda has indented arrows in the door jambs (visible when doors are opened) to indicate placement of roof racks. Place Front and Rear crossbars above the indicators and cross-check by using the table below



### NOTES FOR DEALERS / FITTERS

It is your responsibility to ensure these fitting instructions are given to the end user or client.