



| VEHICLE                  | KIT    | CROSSBAR |
|--------------------------|--------|----------|
| Mazda CX-3 Gen 1 5dr SUV | DK514  | SZ118    |
| <b>RUNNING DATES</b>     | 2015 - |          |
| <b>VEHICLE NOTES</b>     |        |          |

VISIT THE ONLINE CALCULATOR FOR CURRENT SYSTEM LOAD LIMIT DATA



**DYNAMIC ROAD LOAD LIMIT** (NOTE: DIFFERENT ON AND OFF ROAD CARGO LIMIT)  
**\*USE THE VEHICLE MANUFACTURER'S MAXIMUM ROOF ALLOWANCE IF IT IS LOWER THAN THE FIGURE LISTED**

|                                       |                              |                                       |   |
|---------------------------------------|------------------------------|---------------------------------------|---|
| <br>LOAD LIMIT                        | <br>SYSTEM WEIGHT            | <br>ON ROAD CARGO LIMIT               | <br>OFF ROAD CARGO LIMIT<br>(ON ROAD CARGO LIMIT / 2) |
| UP TO <b>75 kg *</b><br><b>165 lb</b> | <b>— 5 kg</b><br><b>11lb</b> | <b>= UP TO 70 kg</b><br><b>154 lb</b> | <b>OR UP TO 35 kg</b><br><b>77 lb</b>                 |

### PAD AND CLAMP DETAILS

**PLATE ID:** M311

**PAD ID:** M281

**CLAMP ID:** SUB0842

**PLATE ID:** M311

**PAD ID:** M282

**CLAMP ID:** SUB0842

**PLATE ID:** M311

**PAD ID:** M283

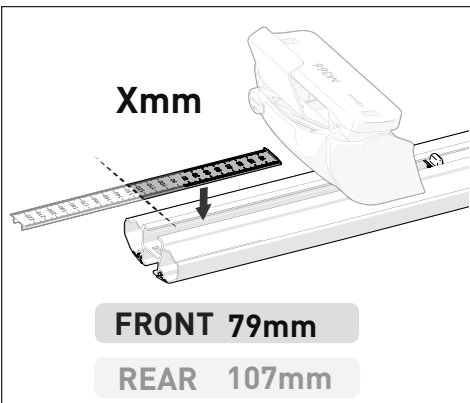
**CLAMP ID:** SUB0838

**PLATE ID:** M311

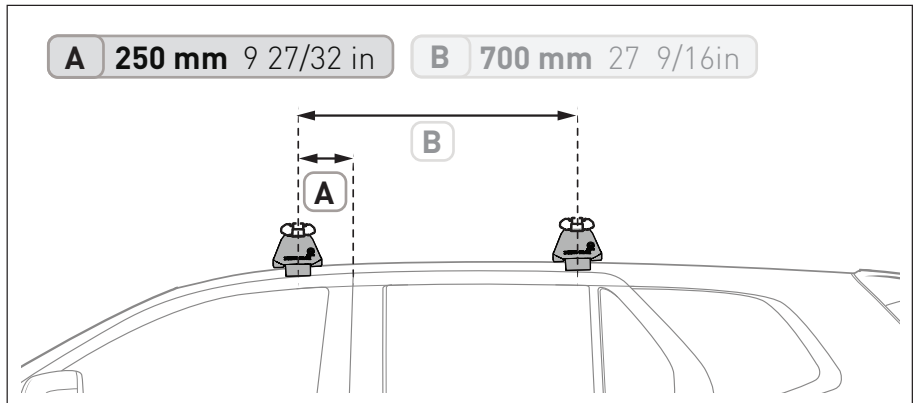
**PAD ID:** M284

**CLAMP ID:** SUB0838

### MEASUREMENT STRIPS



### VEHICLE POSITIONING



### NOTES FOR DEALERS / FITTERS

It is your responsibility to ensure these fitting instructions are given to the end user or client.

Document No: R4638  
 Issue No: 1  
 Issue Date: 8-Jan-25