



VEHICLE	KIT	CROSSBAR
Toyota Prius 5dr Hatch Gen 4	DK467	SZ126
RUNNING DATES	16 - 23	
VEHICLE NOTES		

VISIT THE ONLINE CALCULATOR FOR CURRENT SYSTEM LOAD LIMIT DATA



DYNAMIC ROAD LOAD LIMIT (NOTE: DIFFERENT ON AND OFF ROAD CARGO LIMIT)
***USE THE VEHICLE MANUFACTURER'S MAXIMUM ROOF ALLOWANCE IF IT IS LOWER THAN THE FIGURE LISTED**

LOAD LIMIT	SYSTEM WEIGHT	ON ROAD CARGO LIMIT	OFF ROAD CARGO LIMIT (ON ROAD CARGO LIMIT / 2)
UP TO 75 kg * 165 lb	5 kg 11lb	UP TO 70 kg 154 lb	UP TO 35 kg 77 lb

OR

PAD AND CLAMP DETAILS

PLATE ID:
M311

PAD ID:
M366

CLAMP ID:
SUB0146

PLATE ID:
M311

PAD ID:
M366

CLAMP ID:
SUB0146

PLATE ID:
M311

PAD ID:
M366

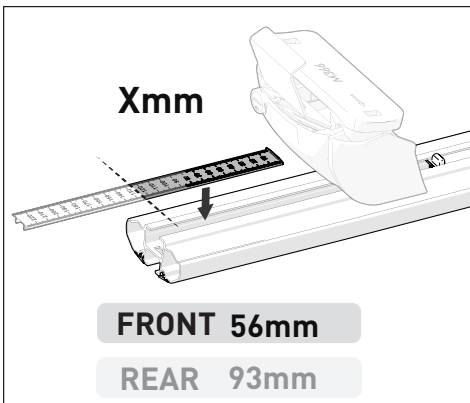
CLAMP ID:
SUB0460

PLATE ID:
M311

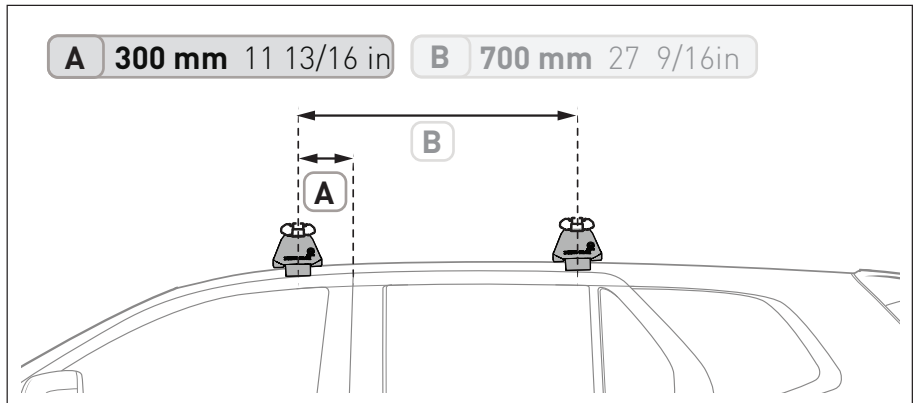
PAD ID:
M366

CLAMP ID:
SUB0460

MEASUREMENT STRIPS



VEHICLE POSITIONING



NOTES FOR DEALERS / FITTERS

It is your responsibility to ensure these fitting instructions are given to the end user or client.