



VEHICLE	KIT	CROSSBAR
Hyundai Elantra 4dr Sedan	DK461	SZ118
RUNNING DATES	16- (USA) 17- 20 (All regions)	
VEHICLE NOTES		

VISIT THE ONLINE CALCULATOR FOR CURRENT SYSTEM LOAD LIMIT DATA



DYNAMIC ROAD LOAD LIMIT (NOTE: DIFFERENT ON AND OFF ROAD CARGO LIMIT)
***USE THE VEHICLE MANUFACTURER'S MAXIMUM ROOF ALLOWANCE IF IT IS LOWER THAN THE FIGURE LISTED**

LOAD LIMIT	SYSTEM WEIGHT	ON ROAD CARGO LIMIT	OFF ROAD CARGO LIMIT (ON ROAD CARGO LIMIT / 2)
UP TO 75 kg * 165 lb	5 kg 11lb	UP TO 70 kg 154 lb	UP TO 35 kg 77 lb

OR

PAD AND CLAMP DETAILS

PLATE ID:
M311

PAD ID:
M281

CLAMP ID:
SUB0368

PLATE ID:
M311

PAD ID:
M282

PLATE ID:
M311

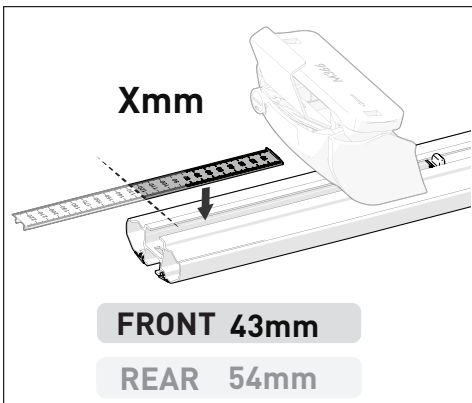
PAD ID:
M283

CLAMP ID:
SUB0368

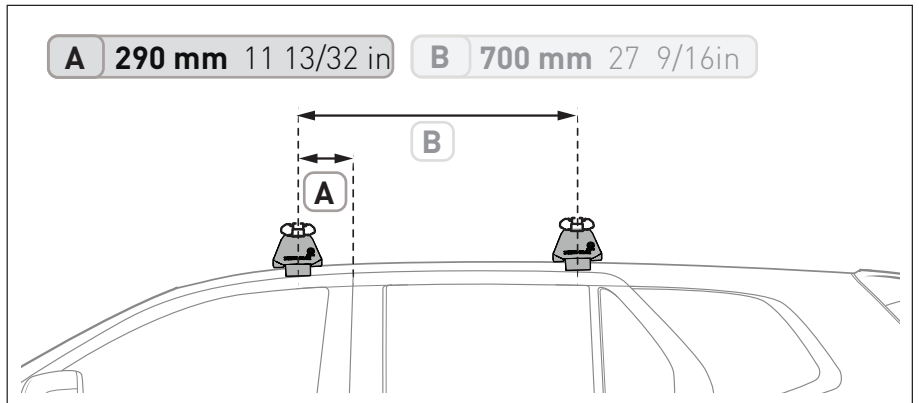
PLATE ID:
M311

PAD ID:
M284

MEASUREMENT STRIPS



VEHICLE POSITIONING



NOTES FOR DEALERS / FITTERS

It is your responsibility to ensure these fitting instructions are given to the end user or client.

Document No: R4610
 Issue No: 1
 Issue Date: 6-Jan-25