



VEHICLE	KIT	CROSSBAR
Honda HR-V5dr SUV Gen 2	DK454	SZ118
RUNNING DATES	2015 - 2022	
VEHICLE NOTES		

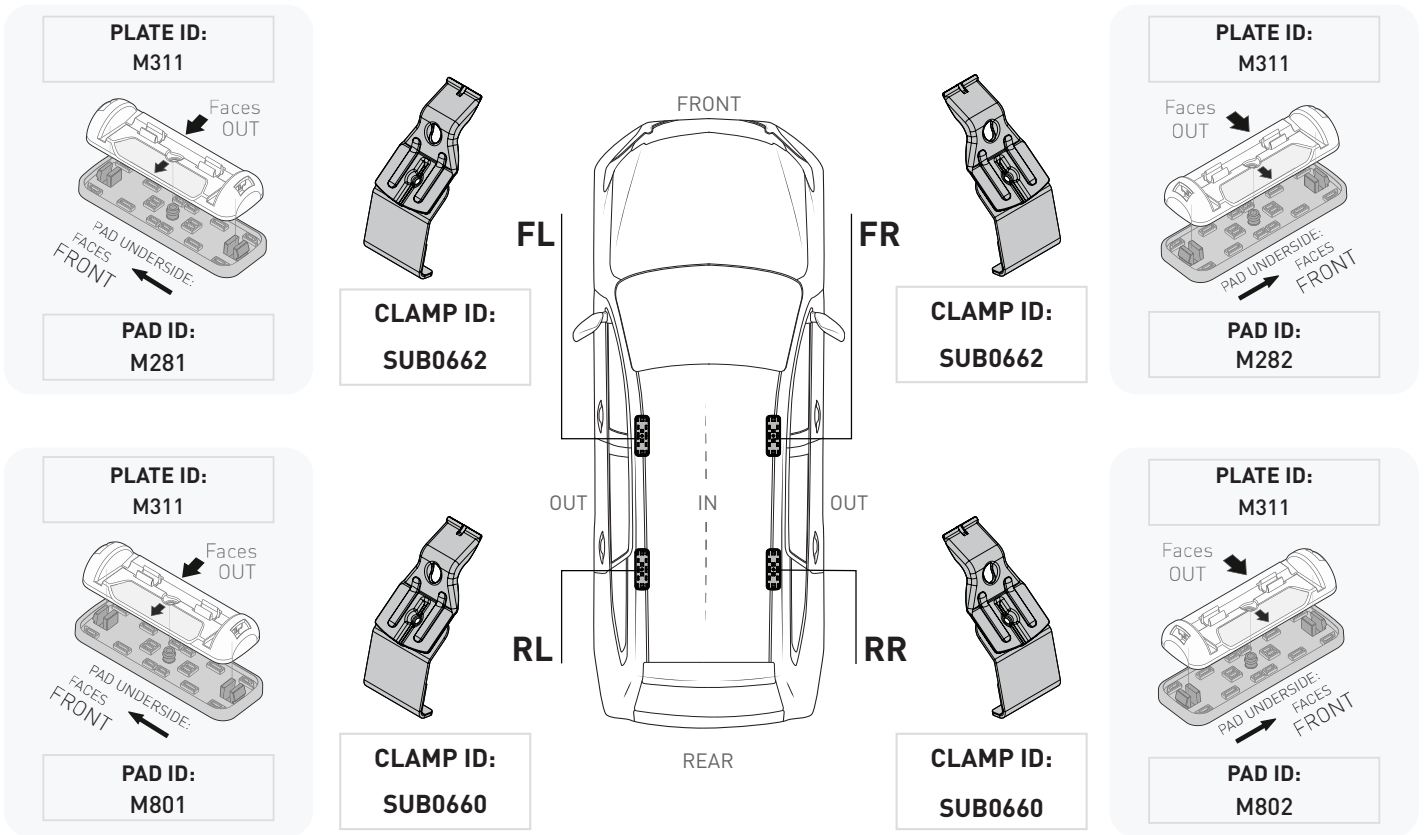
VISIT THE ONLINE CALCULATOR FOR CURRENT SYSTEM LOAD LIMIT DATA



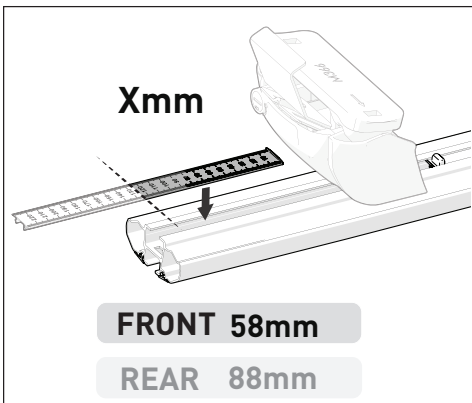
DYNAMIC ROAD LOAD LIMIT (NOTE: DIFFERENT ON AND OFF ROAD CARGO LIMIT)
***USE THE VEHICLE MANUFACTURER'S MAXIMUM ROOF ALLOWANCE IF IT IS LOWER THAN THE FIGURE LISTED**

 LOAD LIMIT	 SYSTEM WEIGHT	 ON ROAD CARGO LIMIT	 OFF ROAD CARGO LIMIT (ON ROAD CARGO LIMIT / 2)
UP TO 75 kg * 165 lb	— 5 kg 11lb	= UP TO 70 kg 154 lb	OR UP TO 35 kg 77 lb

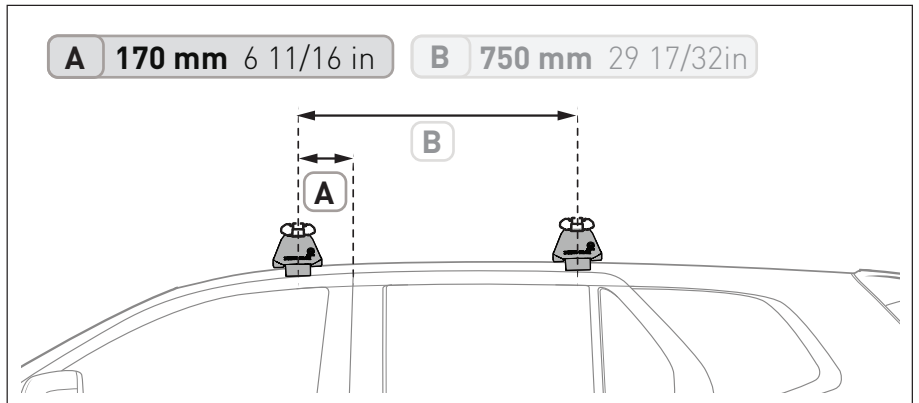
PAD AND CLAMP DETAILS



MEASUREMENT STRIPS



VEHICLE POSITIONING



NOTES FOR DEALERS / FITTERS

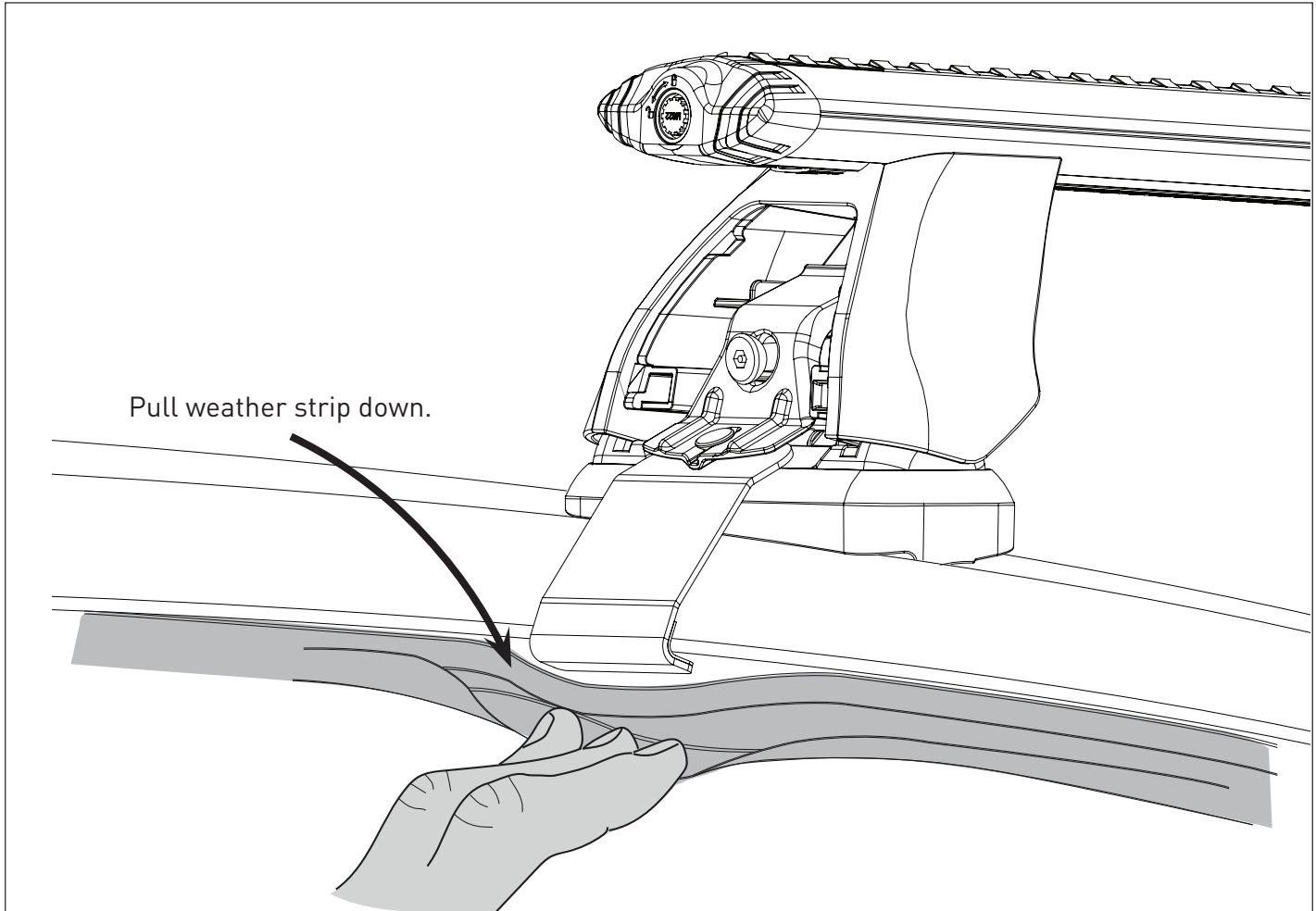
It is your responsibility to ensure these fitting instructions are given to the end user or client.

Document No: R4609
 Issue No: 1
 Issue Date: 07-Jan-25



VEHICLE	KIT	CROSSBAR
Honda HR-V5dr SUV Gen 2	DK454	SZ118
RUNNING DATES	2015 - 2022	
VEHICLE NOTES		

DOOR SEAL INSTRUCTIONS



With doors open, gently pull the top weather strip down. Fit the two piece bracket assembly so the lower bracket sits above the rubber and hooks the radius of the vehicle roof. Fit the M8 attachment screw. Repeat for each side, front & rear of vehicle.

NOTES FOR DEALERS / FITTERS

It is your responsibility to ensure these fitting instructions are given to the end user or client.