



VEHICLE	KIT	CROSSBAR
Range Rover Evoque 5dr SUV Gen 1	DK437	SZ137
RUNNING DATES	11 - 18	
VEHICLE NOTES	Roof rack suitable for use with non opening glass panoramic roof	

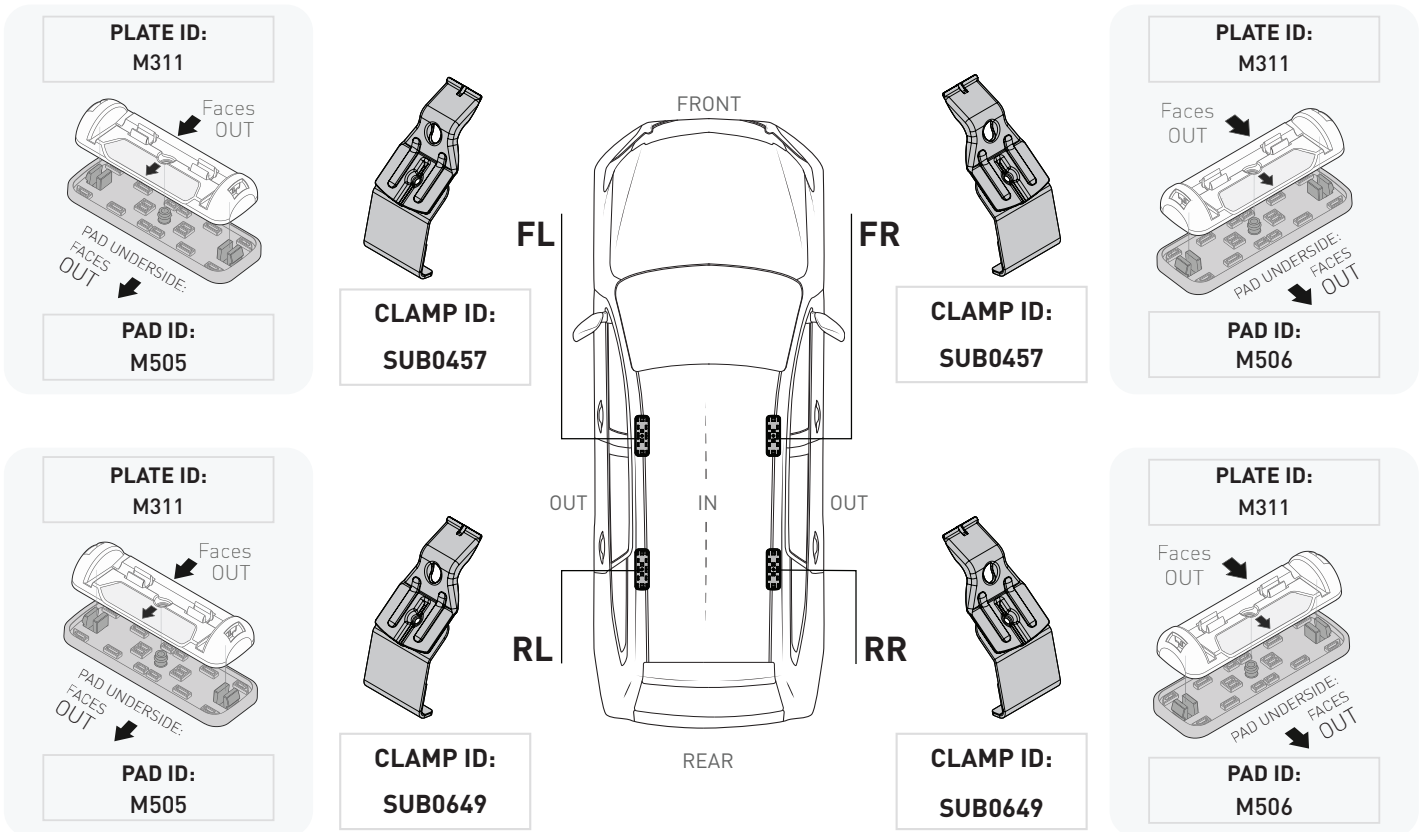
VISIT THE ONLINE CALCULATOR FOR CURRENT SYSTEM LOAD LIMIT DATA



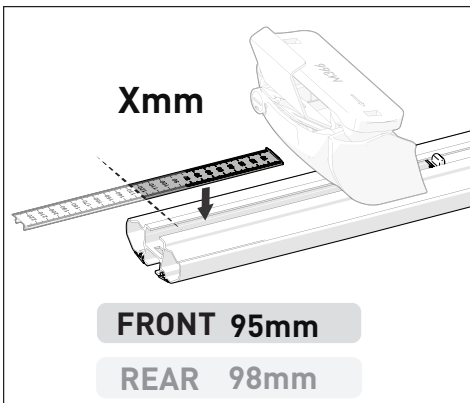
DYNAMIC ROAD LOAD LIMIT (NOTE: DIFFERENT ON AND OFF ROAD CARGO LIMIT)
***USE THE VEHICLE MANUFACTURER'S MAXIMUM ROOF ALLOWANCE IF IT IS LOWER THAN THE FIGURE LISTED**

LOAD LIMIT	SYSTEM WEIGHT	ON ROAD CARGO LIMIT	OFF ROAD CARGO LIMIT (ON ROAD CARGO LIMIT / 2)
UP TO 75 kg * 165 lb	5 kg 11lb	UP TO 70 kg 154 lb	UP TO 35 kg 77 lb

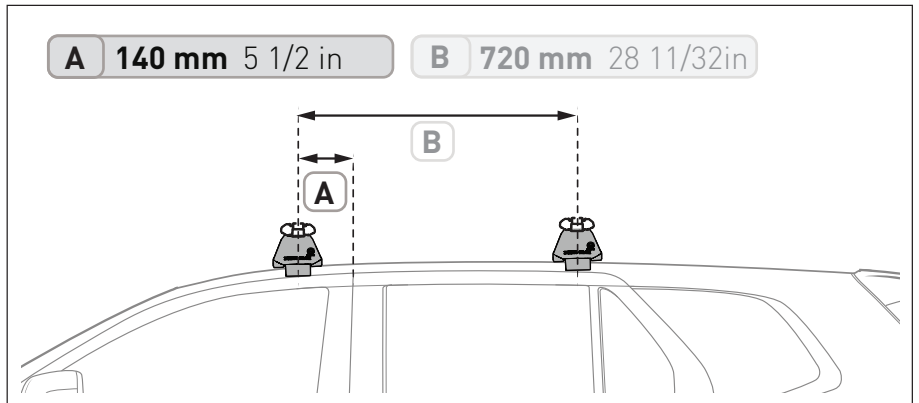
PAD AND CLAMP DETAILS



MEASUREMENT STRIPS



VEHICLE POSITIONING



NOTES FOR DEALERS / FITTERS

It is your responsibility to ensure these fitting instructions are given to the end user or client.