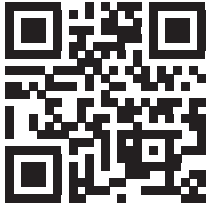




VEHICLE	KIT	CROSSBAR
Ford F150 SuperCrew Gen13	DK427	SZ150
RUNNING DATES	2015 - 2020	
VEHICLE NOTES		

VISIT THE ONLINE CALCULATOR FOR CURRENT SYSTEM LOAD LIMIT DATA

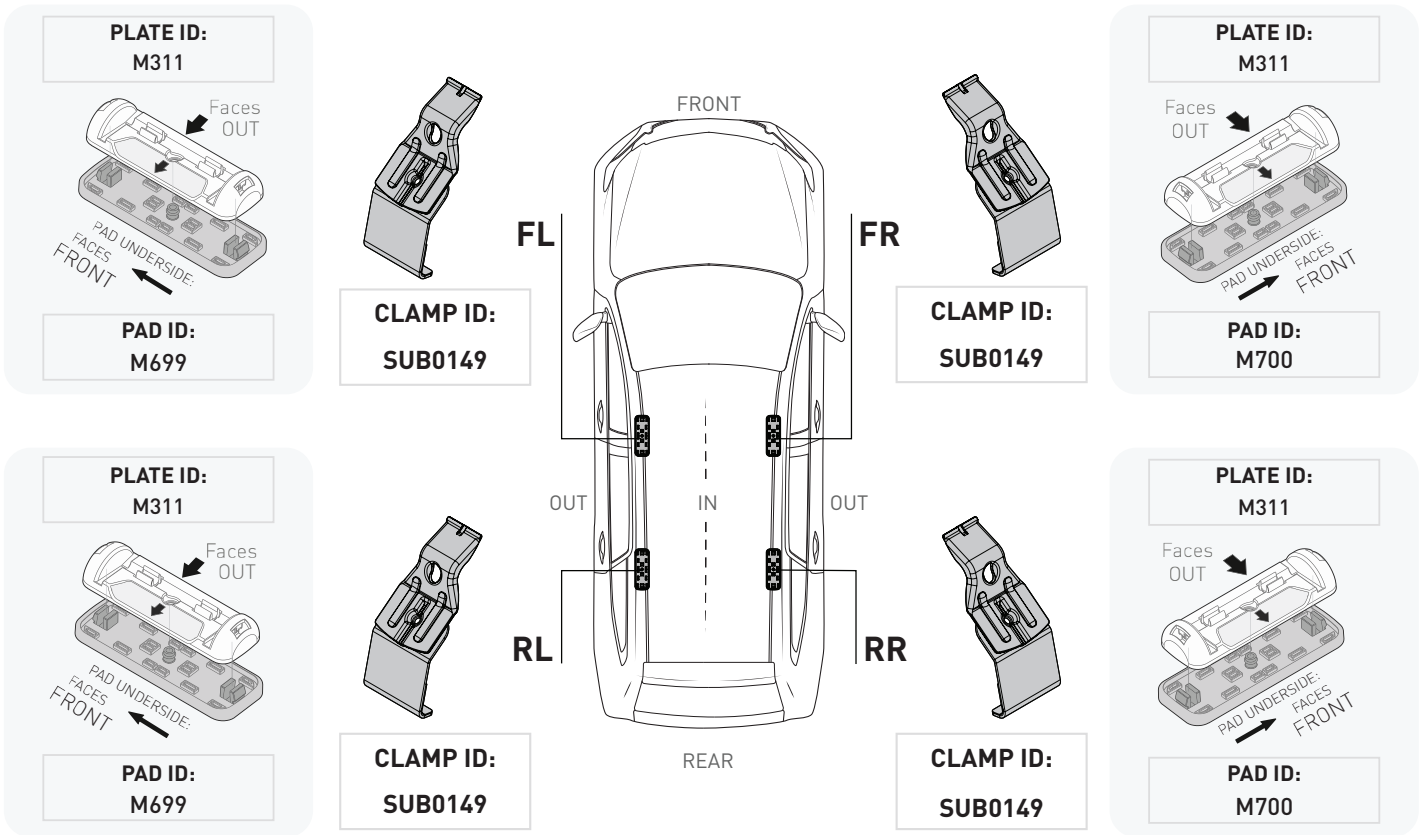


DYNAMIC ROAD LOAD LIMIT (NOTE: DIFFERENT ON AND OFF ROAD CARGO LIMIT)
***USE THE VEHICLE MANUFACTURER'S MAXIMUM ROOF ALLOWANCE IF IT IS LOWER THAN THE FIGURE LISTED**

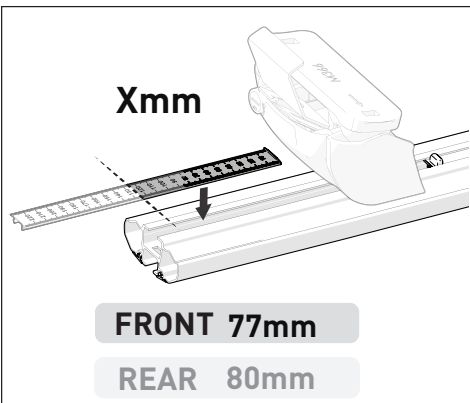
UP TO 75 kg * 165 lb	5 kg 11lb	UP TO 70 kg 154 lb	UP TO 35 kg 77 lb

OR
OFF ROAD CARGO LIMIT (ON ROAD CARGO LIMIT / 2)

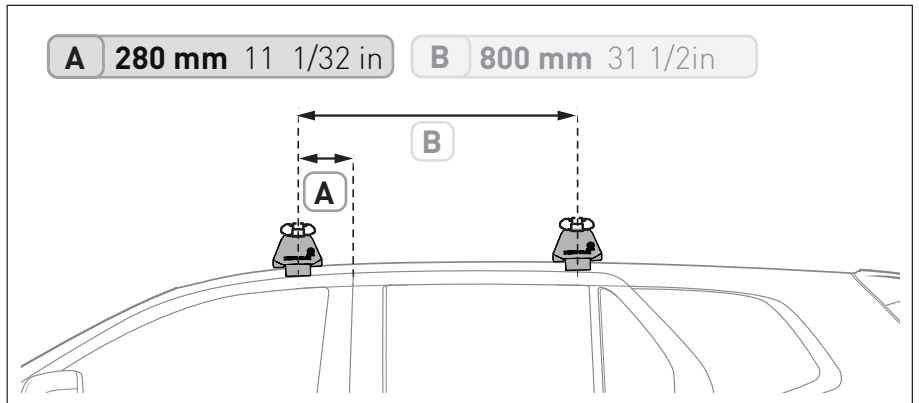
PAD AND CLAMP DETAILS



MEASUREMENT STRIPS



VEHICLE POSITIONING



NOTES FOR DEALERS / FITTERS

It is your responsibility to ensure these fitting instructions are given to the end user or client.