

VEHICLE	KIT	CROSSBAR
NISSAN Navara (post facelift) NP300 4dr Ute Dual Cab - Front Bar	DK424H	SZ126
RUNNING DATES	2021 -	
VEHICLE NOTES	SEE PAGE 02 FOR REAR SINGLE BAR FIT	

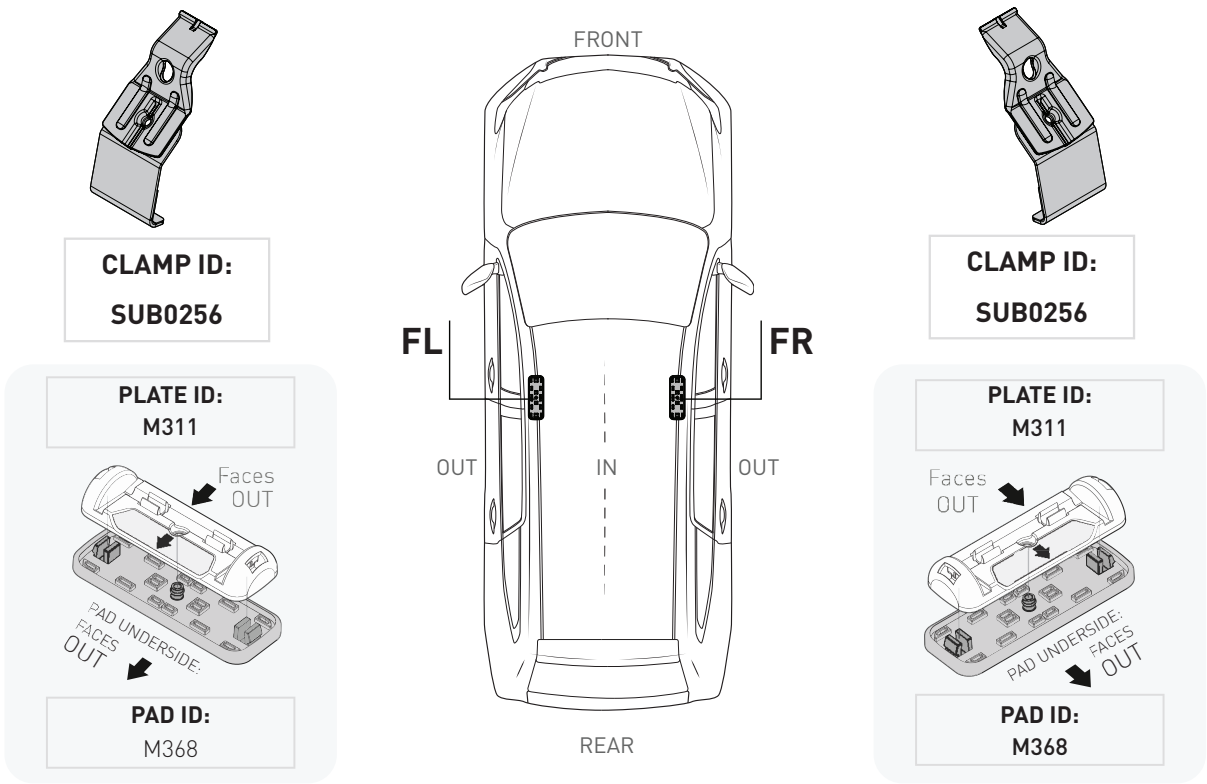
VISIT THE ONLINE CALCULATOR FOR CURRENT SYSTEM LOAD LIMIT DATA



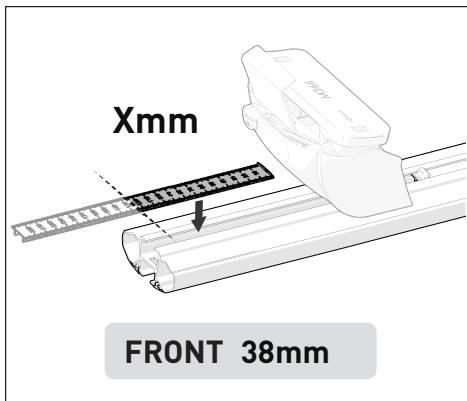
DYNAMIC ROAD LOAD LIMIT (NOTE: DIFFERENT ON AND OFF ROAD CARGO LIMIT)
***USE THE VEHICLE MANUFACTURER'S MAXIMUM ROOF ALLOWANCE IF IT IS LOWER THAN THE FIGURE LISTED**

 LOAD LIMIT UP TO 35 kg * 77 lb	 SYSTEM WEIGHT — 32.5 kg = 6 lb	 ON ROAD CARGO LIMIT UP TO 33 kg 72 lb	 OFF ROAD CARGO LIMIT (ON ROAD CARGO LIMIT / 2) OR UP TO 22 kg 48 lb
--	--	---	---

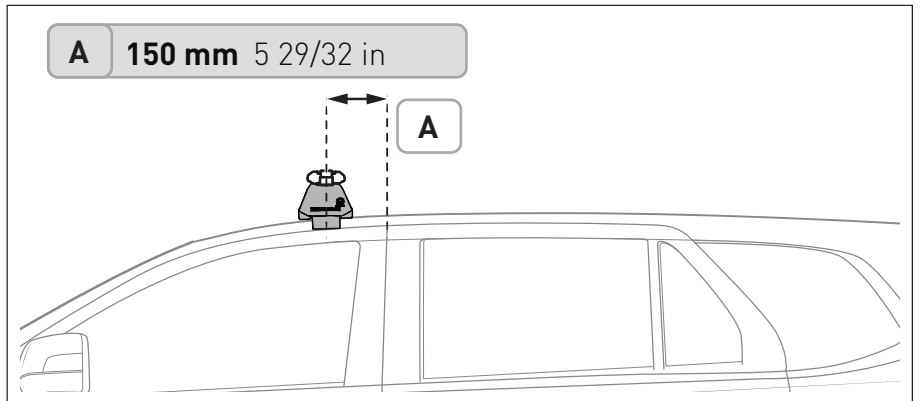
PAD AND CLAMP DETAILS



MEASUREMENT STRIPS



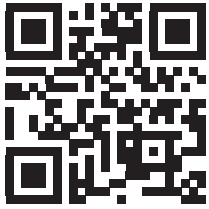
VEHICLE POSITIONING





VEHICLE	KIT	CROSSBAR
NISSAN Navara (post facelift) NP300 4dr Ute Dual Cab - Rear Bar	DK424H	SZ126
RUNNING DATES	2021 -	
VEHICLE NOTES		

VISIT THE ONLINE CALCULATOR FOR CURRENT SYSTEM LOAD LIMIT DATA

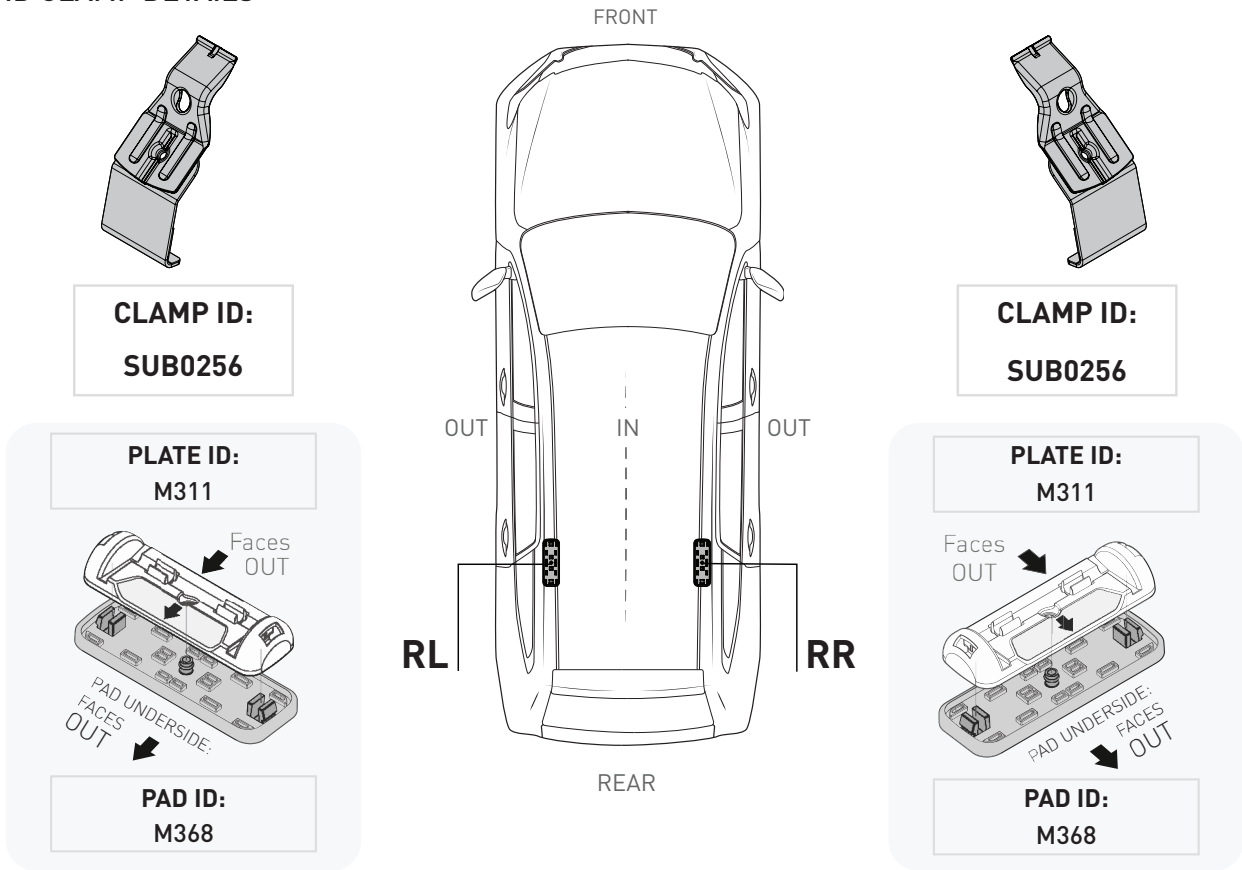


DYNAMIC ROAD LOAD LIMIT (NOTE: DIFFERENT ON AND OFF ROAD CARGO LIMIT)
***USE THE VEHICLE MANUFACTURER'S MAXIMUM ROOF ALLOWANCE IF IT IS LOWER THAN THE FIGURE LISTED**

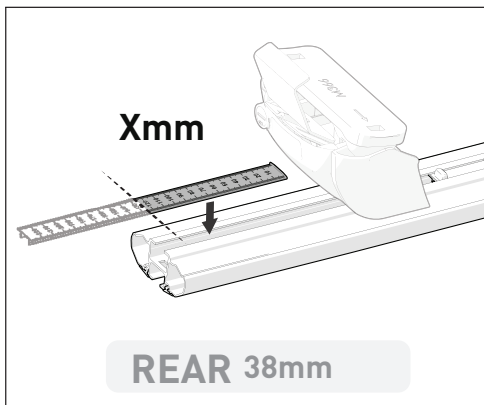
 LOAD LIMIT UP TO 35 kg * 77 lb	 SYSTEM WEIGHT 32.5 kg 6lb	 ON ROAD CARGO LIMIT UP TO 33 kg 72 lb	 OFF ROAD CARGO LIMIT (ON ROAD CARGO LIMIT / 2) UP TO 22 kg 48 lb
---	--	--	--

OR

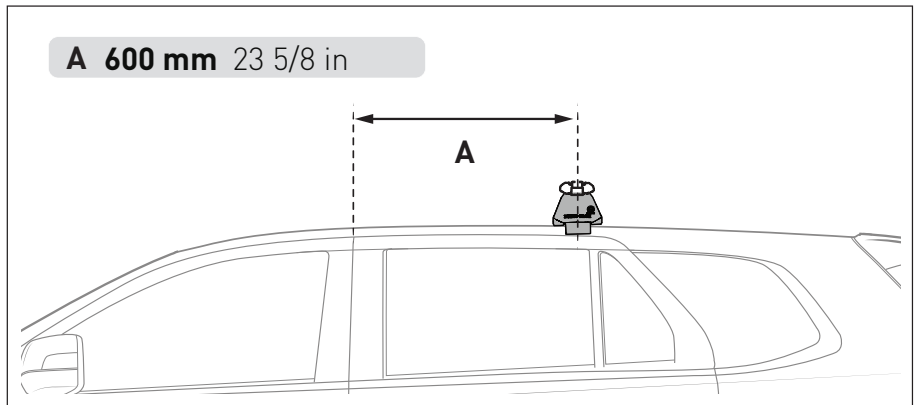
PAD AND CLAMP DETAILS



MEASUREMENT STRIPS



VEHICLE POSITIONING



NOTES FOR DEALERS / FITTERS

It is your responsibility to ensure these fitting instructions are given to the end user or client.