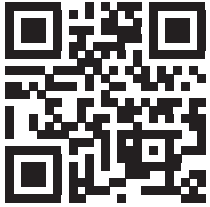




VEHICLE	KIT	CROSSBAR
Chevrolet Silverado HD Double Cab	DK415	SZ150
<b>RUNNING DATES</b>	2015 -	
<b>VEHICLE NOTES</b>		

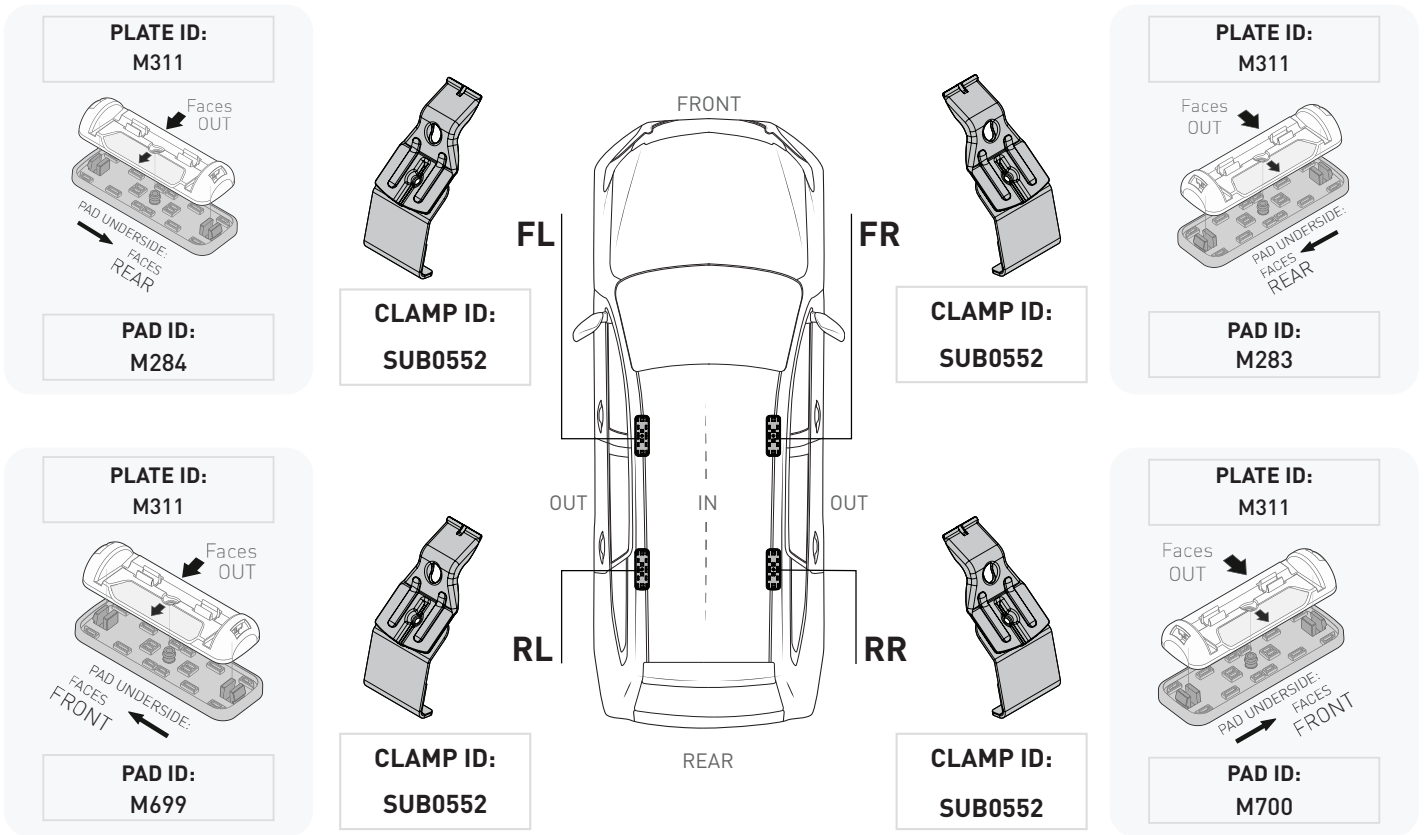
VISIT THE ONLINE CALCULATOR FOR CURRENT SYSTEM LOAD LIMIT DATA



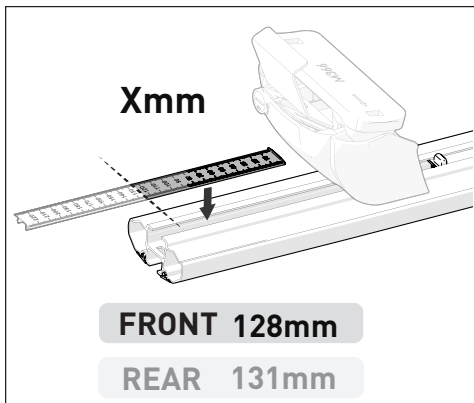
**DYNAMIC ROAD LOAD LIMIT** (NOTE: DIFFERENT ON AND OFF ROAD CARGO LIMIT)  
**\*USE THE VEHICLE MANUFACTURER'S MAXIMUM ROOF ALLOWANCE IF IT IS LOWER THAN THE FIGURE LISTED**

 LOAD LIMIT	 SYSTEM WEIGHT	 ON ROAD CARGO LIMIT	<b>OR</b>	 OFF ROAD CARGO LIMIT (ON ROAD CARGO LIMIT / 2)
UP TO <b>75 kg *</b> <b>165 lb</b>	<b>— 5 kg</b> <b>11lb</b>	<b>= UP TO 70 kg</b> <b>154 lb</b>		UP TO <b>35 kg</b> <b>77 lb</b>

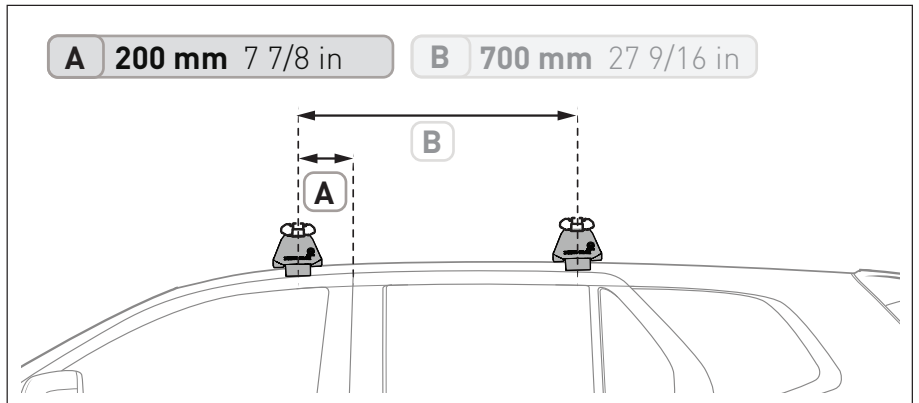
### PAD AND CLAMP DETAILS



### MEASUREMENT STRIPS



### VEHICLE POSITIONING



### NOTES FOR DEALERS / FITTERS

It is your responsibility to ensure these fitting instructions are given to the end user or client.

Document No: R4574  
Issue No: 1  
Issue Date: 9-Jan-25