



VEHICLE	KIT	CROSSBAR
Chevrolet Silverado 1500 Crew Cab/GMC Sierra 1500 Crew Cab	DK377	SZ150
<b>RUNNING DATES</b>	14-18	
<b>VEHICLE NOTES</b>		

VISIT THE ONLINE CALCULATOR FOR CURRENT SYSTEM LOAD LIMIT DATA



**DYNAMIC ROAD LOAD LIMIT** (NOTE: DIFFERENT ON AND OFF ROAD CARGO LIMIT)  
**\*USE THE VEHICLE MANUFACTURER'S MAXIMUM ROOF ALLOWANCE IF IT IS LOWER THAN THE FIGURE LISTED**

LOAD LIMIT	SYSTEM WEIGHT	ON ROAD CARGO LIMIT	OFF ROAD CARGO LIMIT (ON ROAD CARGO LIMIT / 2)
UP TO <b>75 kg *</b> <b>165 lb</b>	<b>5 kg</b> <b>11lb</b>	UP TO <b>70 kg</b> <b>154 lb</b>	UP TO <b>35 kg</b> <b>77 lb</b>

**OR**

### PAD AND CLAMP DETAILS

**PLATE ID:** M311

**PAD ID:** M368

**CLAMP ID:** SUB0264

**PLATE ID:** M311

**PAD ID:** M368

**CLAMP ID:** SUB0264

**PLATE ID:** M311

**PAD ID:** M368

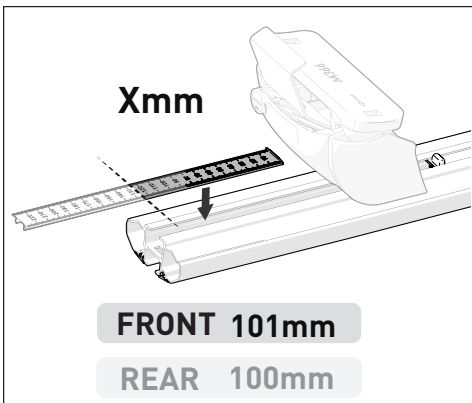
**CLAMP ID:** SUB0264

**PLATE ID:** M311

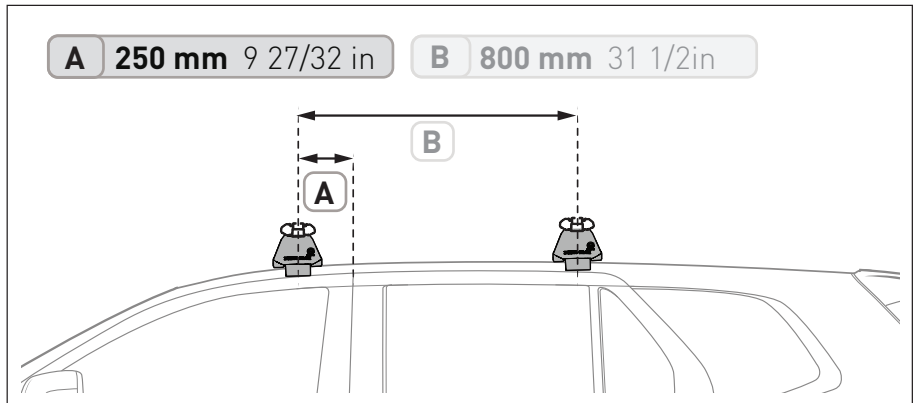
**PAD ID:** M368

**CLAMP ID:** SUB0264

### MEASUREMENT STRIPS



### VEHICLE POSITIONING



### NOTES FOR DEALERS / FITTERS

It is your responsibility to ensure these fitting instructions are given to the end user or client.