



VEHICLE	KIT	CROSSBAR
FORD Kuga 4dr SUV	DK375	SZ137
<b>RUNNING DATES</b>	13-16	
<b>VEHICLE NOTES</b>		

VISIT THE ONLINE CALCULATOR FOR CURRENT SYSTEM LOAD LIMIT DATA



**DYNAMIC ROAD LOAD LIMIT** (NOTE: DIFFERENT ON AND OFF ROAD CARGO LIMIT)  
**\*USE THE VEHICLE MANUFACTURER'S MAXIMUM ROOF ALLOWANCE IF IT IS LOWER THAN THE FIGURE LISTED**

LOAD LIMIT	SYSTEM WEIGHT	ON ROAD CARGO LIMIT	OFF ROAD CARGO LIMIT (ON ROAD CARGO LIMIT / 2)
UP TO <b>75 kg *</b> <b>165 lb</b>	<b>5 kg</b> <b>11lb</b>	UP TO <b>70 kg</b> <b>154 lb</b>	UP TO <b>35 kg</b> <b>77 lb</b>

OR

### PAD AND CLAMP DETAILS

**PLATE ID:**  
M311

**PAD ID:**  
142609

**CLAMP ID:**  
SUB0460

**CLAMP ID:**  
SUB0460

**PLATE ID:**  
M311

**PAD ID:**  
142609

**PLATE ID:**  
M311

**PAD ID:**  
M367

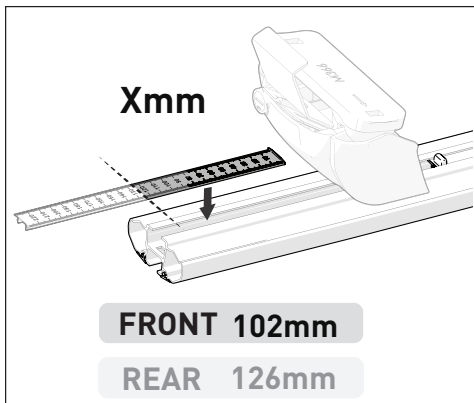
**CLAMP ID:**  
SUB0372

**CLAMP ID:**  
SUB0372

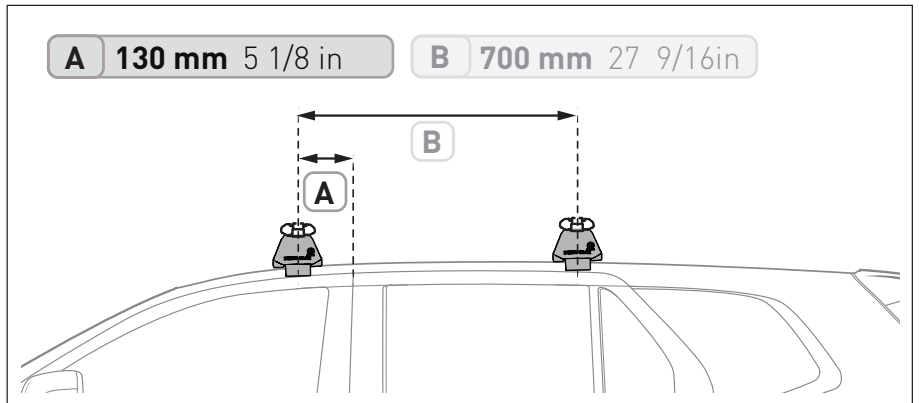
**PLATE ID:**  
M311

**PAD ID:**  
M367

### MEASUREMENT STRIPS



### VEHICLE POSITIONING



### NOTES FOR DEALERS / FITTERS

It is your responsibility to ensure these fitting instructions are given to the end user or client.