



VEHICLE	KIT	CROSSBAR
ISUZU D-Max Gen2, TF (LS-U/LS-M/X-Runner) 4dr Ute Crew Cab	DK330R	SZ126
RUNNING DATES	2012-2020	
VEHICLE NOTES		

VISIT THE ONLINE CALCULATOR FOR CURRENT SYSTEM LOAD LIMIT DATA

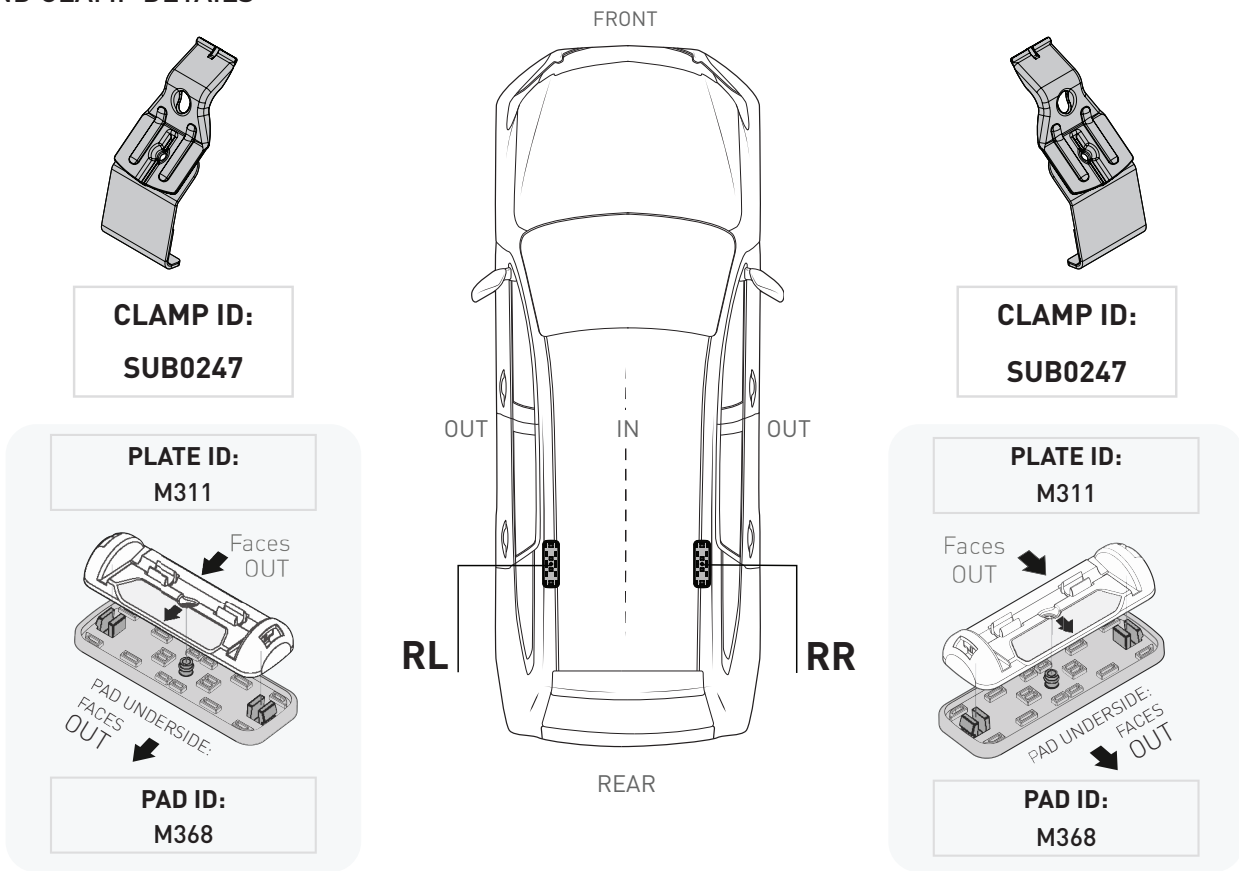


**DYNAMIC ROAD LOAD LIMIT** (NOTE: DIFFERENT ON AND OFF ROAD CARGO LIMIT)  
**\*USE THE VEHICLE MANUFACTURER'S MAXIMUM ROOF ALLOWANCE IF IT IS LOWER THAN THE FIGURE LISTED**

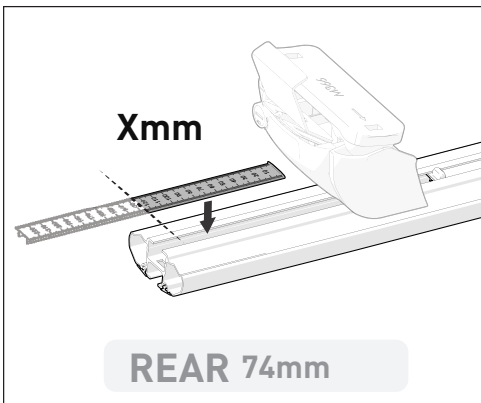
 LOAD LIMIT UP TO <b>35 kg</b> <b>77 lb</b>	 SYSTEM WEIGHT <b>32.5 kg</b> <b>6lb</b>	 ON ROAD CARGO LIMIT UP TO <b>33 kg</b> <b>72 lb</b>	 OFF ROAD CARGO LIMIT (ON ROAD CARGO LIMIT / 2) UP TO <b>22 kg</b> <b>48 lb</b>
--	---	---	---

**OR**

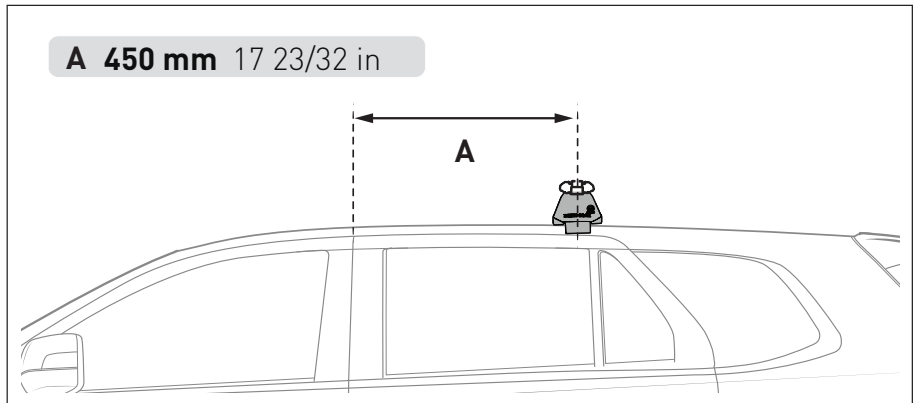
### PAD AND CLAMP DETAILS



### MEASUREMENT STRIPS



### VEHICLE POSITIONING



### NOTES FOR DEALERS / FITTERS

It is your responsibility to ensure these fitting instructions are given to the end user or client.

Document No: R4682  
 Issue No: 1  
 Issue Date: 14-Jan-25