



VEHICLE	KIT	CROSSBAR
Mazda BT50 Gen2 freestyle cab4dr	DK324	SZ126
<b>RUNNING DATES</b>	2011- 2020	
<b>VEHICLE NOTES</b>		

VISIT THE ONLINE CALCULATOR FOR CURRENT SYSTEM LOAD LIMIT DATA

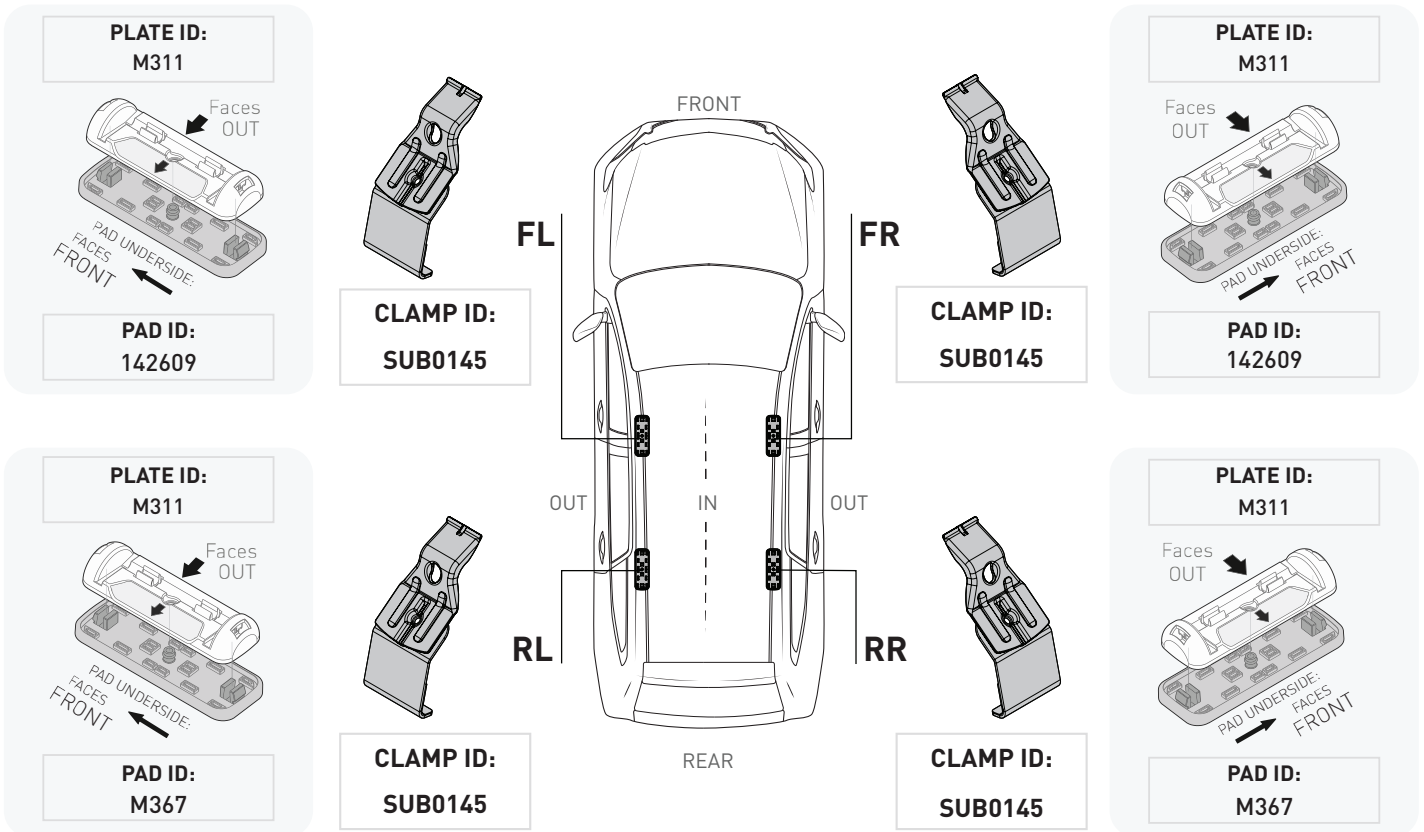


**DYNAMIC ROAD LOAD LIMIT** (NOTE: DIFFERENT ON AND OFF ROAD CARGO LIMIT)  
**\*USE THE VEHICLE MANUFACTURER'S MAXIMUM ROOF ALLOWANCE IF IT IS LOWER THAN THE FIGURE LISTED**

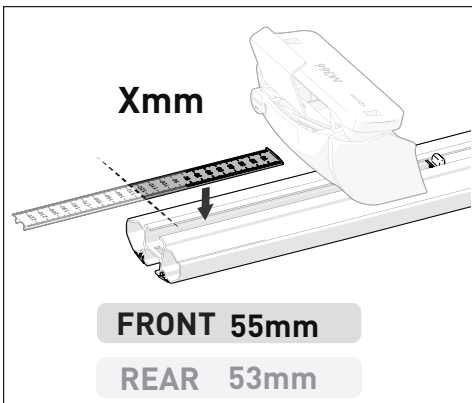
LOAD LIMIT	SYSTEM WEIGHT	ON ROAD CARGO LIMIT	OFF ROAD CARGO LIMIT (ON ROAD CARGO LIMIT / 2)
UP TO <b>75 kg *</b> <b>165 lb</b>	<b>5 kg</b> <b>11lb</b>	UP TO <b>70 kg</b> <b>154 lb</b>	UP TO <b>35 kg</b> <b>77 lb</b>

**OR**

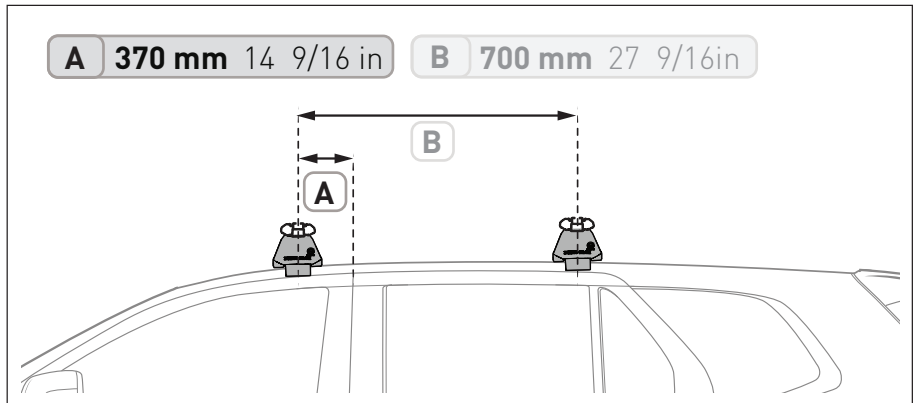
### PAD AND CLAMP DETAILS



### MEASUREMENT STRIPS



### VEHICLE POSITIONING



### NOTES FOR DEALERS / FITTERS

It is your responsibility to ensure these fitting instructions are given to the end user or client.

Document No: R4490  
 Issue No: 1  
 Issue Date: 6-Jan-25