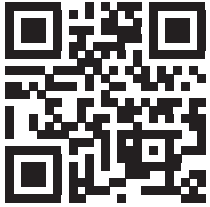




VEHICLE	KIT	CROSSBAR
Toyota Camry 50R 4dr sedan	DK321	SZ118
RUNNING DATES	2012-	
VEHICLE NOTES		

VISIT THE ONLINE CALCULATOR FOR CURRENT SYSTEM LOAD LIMIT DATA



DYNAMIC ROAD LOAD LIMIT (NOTE: DIFFERENT ON AND OFF ROAD CARGO LIMIT)
***USE THE VEHICLE MANUFACTURER'S MAXIMUM ROOF ALLOWANCE IF IT IS LOWER THAN THE FIGURE LISTED**

LOAD LIMIT	SYSTEM WEIGHT	ON ROAD CARGO LIMIT	OFF ROAD CARGO LIMIT (ON ROAD CARGO LIMIT / 2)
UP TO 60 kg * 132 lb	5 kg 11lb	UP TO 55 kg 121 lb	UP TO 28 kg 61 lb

OR

PAD AND CLAMP DETAILS

PLATE ID:
M311

PAD ID:
M281

CLAMP ID:
SUB0372

PLATE ID:
M311

PAD ID:
M282

PLATE ID:
M311

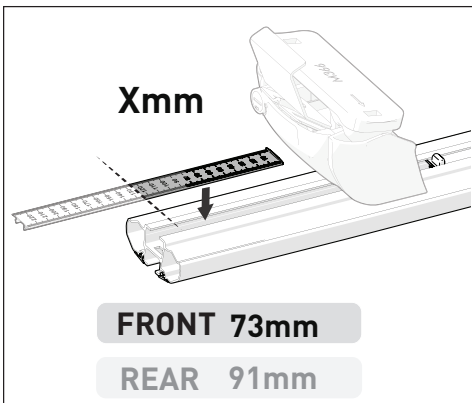
PAD ID:
M528

CLAMP ID:
SUB0373

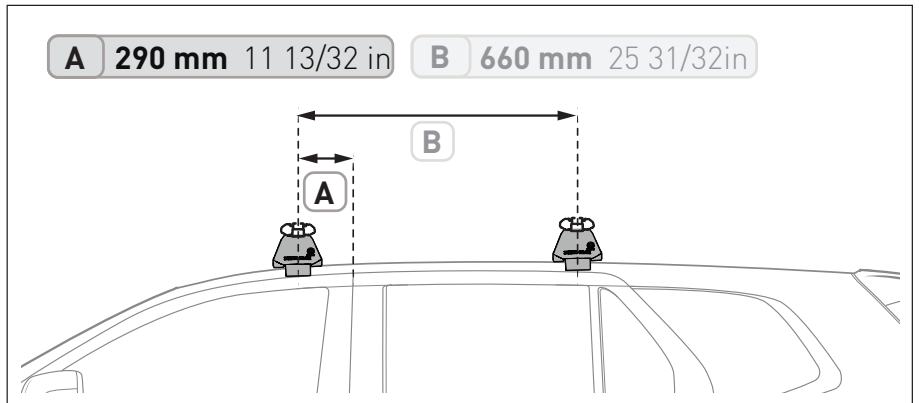
PLATE ID:
M311

PAD ID:
M527

MEASUREMENT STRIPS



VEHICLE POSITIONING



NOTES FOR DEALERS / FITTERS

It is your responsibility to ensure these fitting instructions are given to the end user or client.

Document No: R4487
 Issue No: 1
 Issue Date: 6-Jan-25