

VEHICLE	KIT	CROSSBAR
Honda Civic 4dr sedan	DK319	SZ126
RUNNING DATES	2012- 2015	
VEHICLE NOTES		

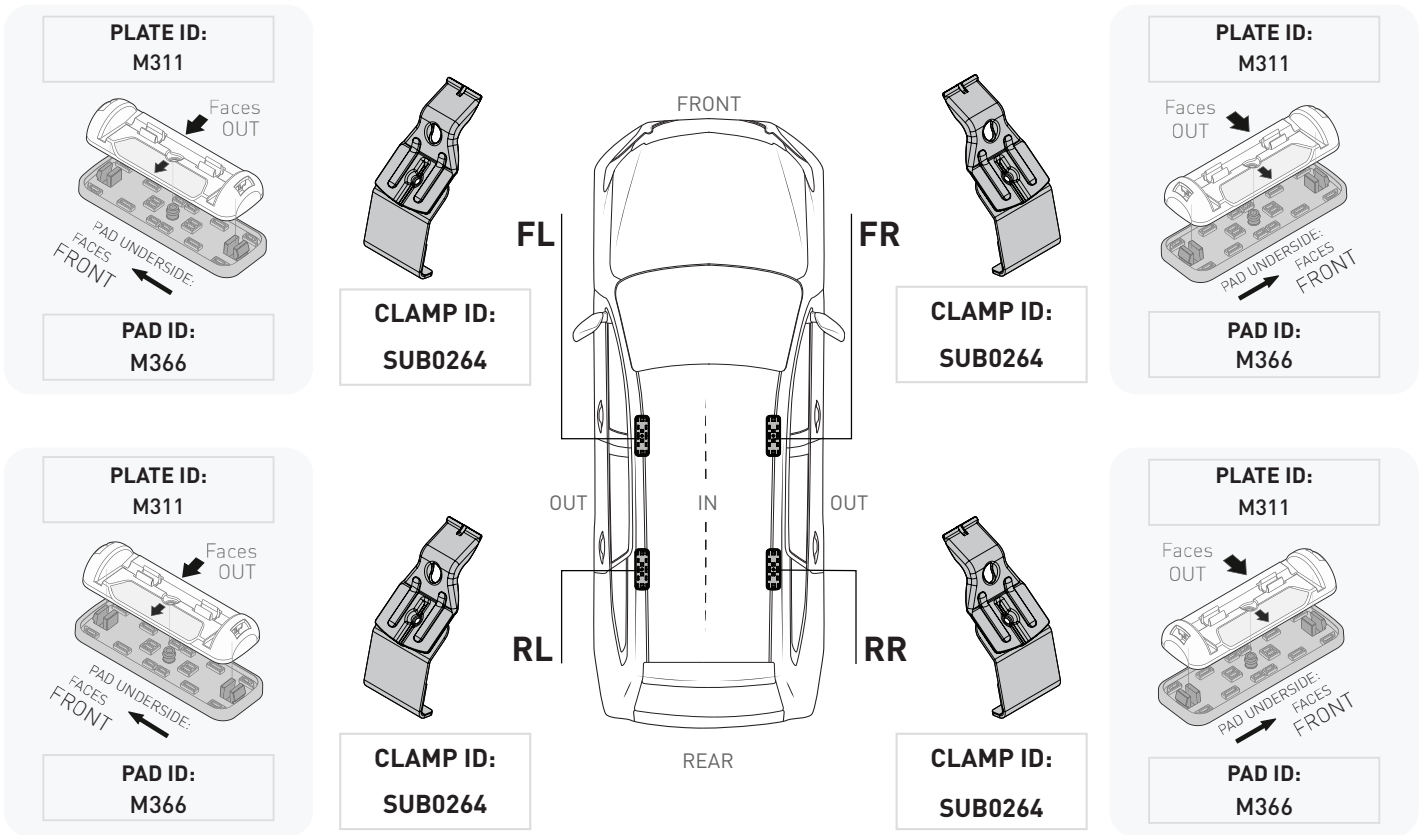
VISIT THE ONLINE CALCULATOR FOR CURRENT SYSTEM LOAD LIMIT DATA



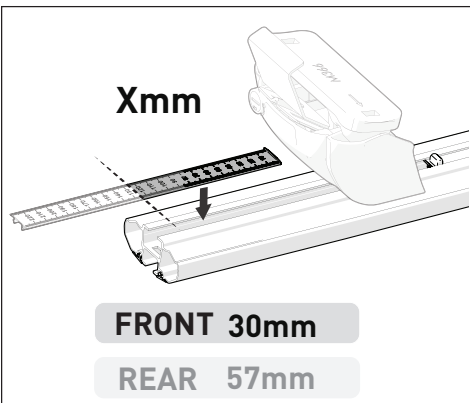
DYNAMIC ROAD LOAD LIMIT (NOTE: DIFFERENT ON AND OFF ROAD CARGO LIMIT)
***USE THE VEHICLE MANUFACTURER'S MAXIMUM ROOF ALLOWANCE IF IT IS LOWER THAN THE FIGURE LISTED**

 LOAD LIMIT UP TO 60 kg * 132 lb	 SYSTEM WEIGHT — 5 kg 11lb	=	 ON ROAD CARGO LIMIT UP TO 55 kg 121 lb	OR	 OFF ROAD CARGO LIMIT (ON ROAD CARGO LIMIT / 2) UP TO 28 kg 61 lb
---	---	---	--	-----------	---

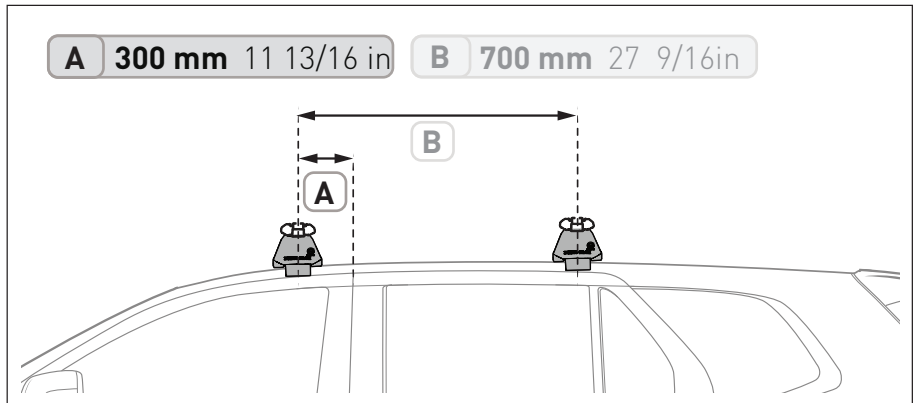
PAD AND CLAMP DETAILS



MEASUREMENT STRIPS



VEHICLE POSITIONING



NOTES FOR DEALERS / FITTERS

It is your responsibility to ensure these fitting instructions are given to the end user or client.