



VEHICLE	KIT	CROSSBAR
Mazda BT50 Gen2 Dual Cab (single REAR bar)	DK294R	SZ126
RUNNING DATES	2011- 2020	
VEHICLE NOTES		

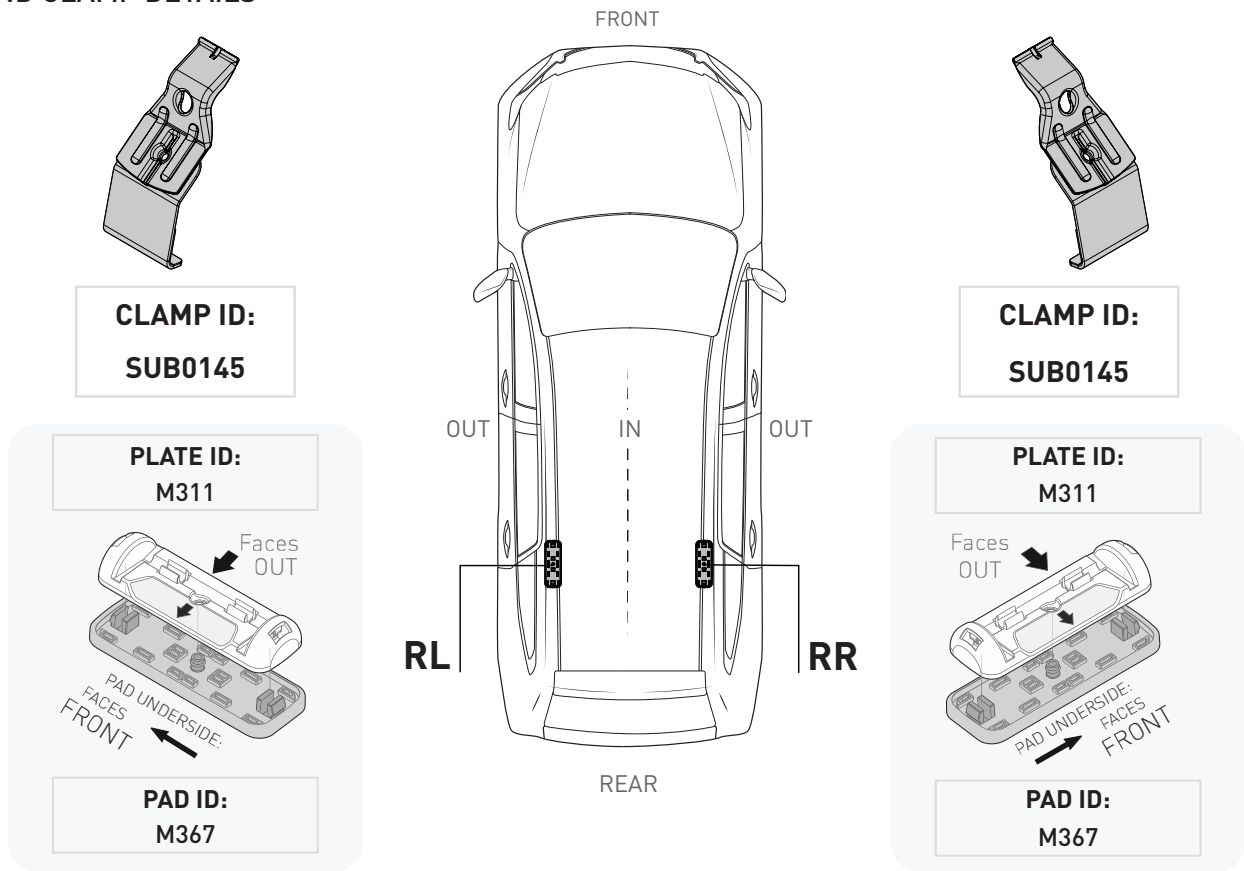
VISIT THE ONLINE CALCULATOR FOR CURRENT SYSTEM LOAD LIMIT DATA



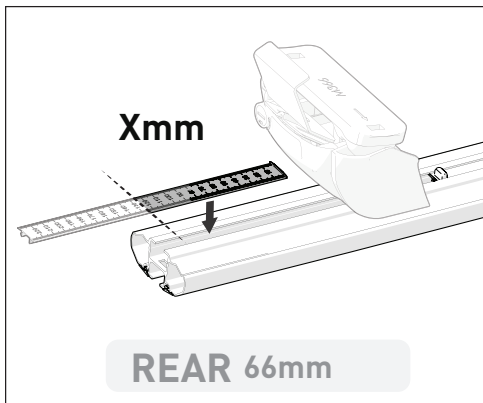
DYNAMIC ROAD LOAD LIMIT (NOTE: DIFFERENT ON AND OFF ROAD CARGO LIMIT)
***USE THE VEHICLE MANUFACTURER'S MAXIMUM ROOF ALLOWANCE IF IT IS LOWER THAN THE FIGURE LISTED**

 LOAD LIMIT	 SYSTEM WEIGHT	 ON ROAD CARGO LIMIT	OR	 OFF ROAD CARGO LIMIT (ON ROAD CARGO LIMIT / 2)
UP TO 35 kg 77 lb *	− 2.5 kg 6lb =	UP TO 33 kg 72 lb		UP TO 22 kg 48 lb

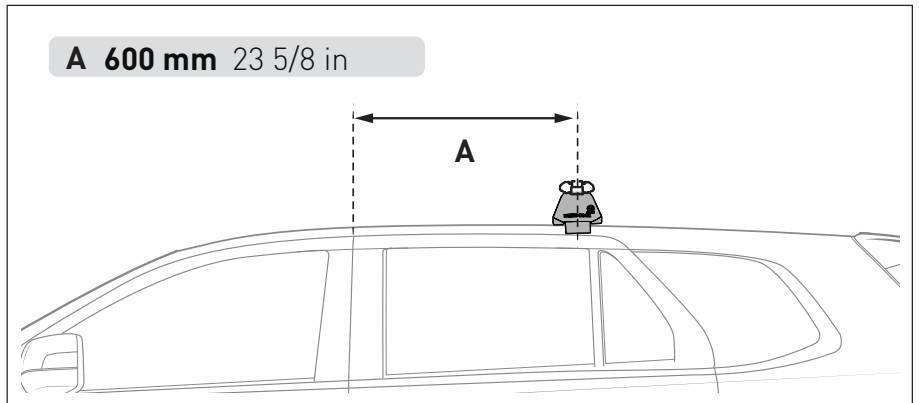
PAD AND CLAMP DETAILS



MEASUREMENT STRIPS



VEHICLE POSITIONING



NOTES FOR DEALERS / FITTERS

It is your responsibility to ensure these fitting instructions are given to the end user or client.

Document No: R4477
 Issue No: 1
 Issue Date: 18-Dec-24