



VEHICLE	KIT	CROSSBAR
Ford Ranger PX Double Cab (single REAR bar)	DK294R	SZ126
<b>RUNNING DATES</b>	2011- 2022	
<b>VEHICLE NOTES</b>		

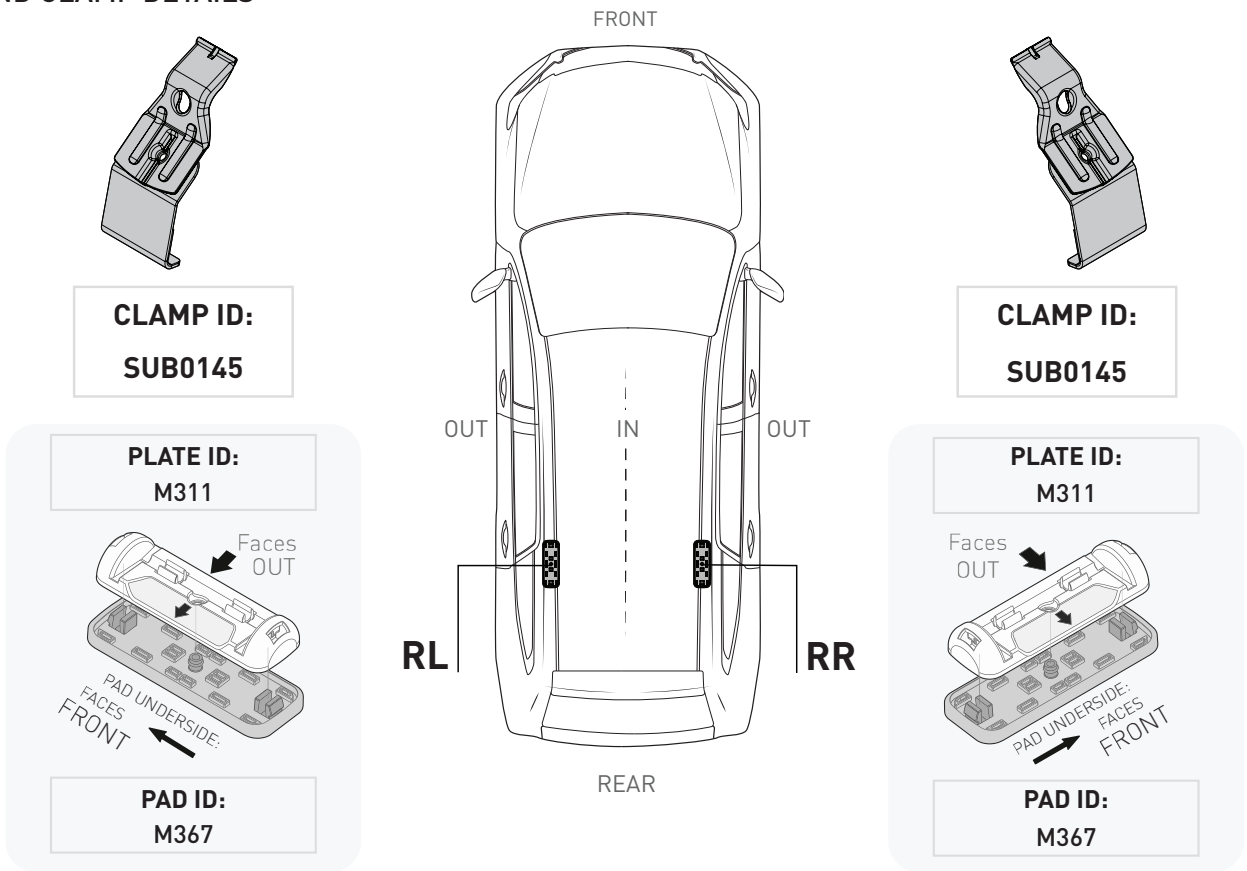
VISIT THE ONLINE CALCULATOR FOR CURRENT SYSTEM LOAD LIMIT DATA



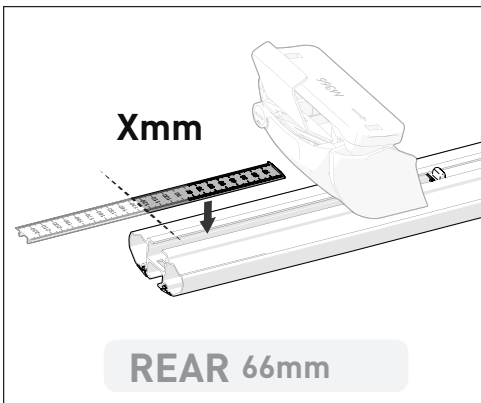
**DYNAMIC ROAD LOAD LIMIT** (NOTE: DIFFERENT ON AND OFF ROAD CARGO LIMIT)  
**\*USE THE VEHICLE MANUFACTURER'S MAXIMUM ROOF ALLOWANCE IF IT IS LOWER THAN THE FIGURE LISTED**

LOAD LIMIT	SYSTEM WEIGHT	ON ROAD CARGO LIMIT	OFF ROAD CARGO LIMIT (ON ROAD CARGO LIMIT / 2)
UP TO <b>35 kg</b> <b>77 lb</b> *	<b>- 2.5 kg</b> <b>6lb</b> =	UP TO <b>33 kg</b> <b>72 lb</b>	OR UP TO <b>22 kg</b> <b>48 lb</b>

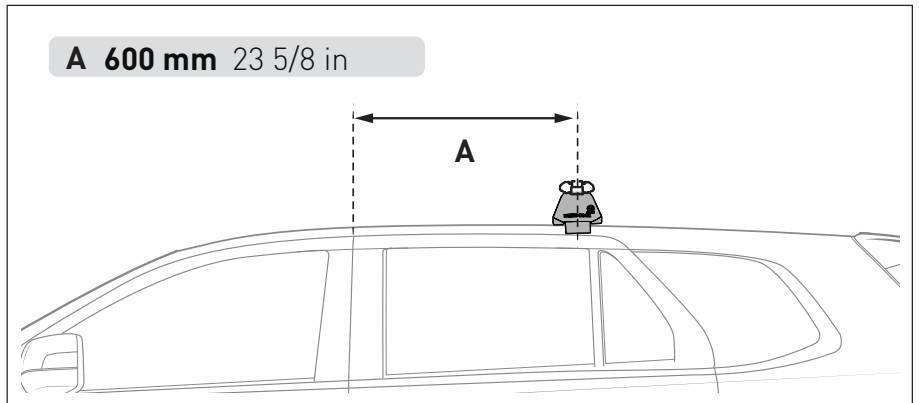
### PAD AND CLAMP DETAILS



### MEASUREMENT STRIPS



### VEHICLE POSITIONING



### NOTES FOR DEALERS / FITTERS

It is your responsibility to ensure these fitting instructions are given to the end user or client.

Document No: R4474  
 Issue No: 1  
 Issue Date: 18-Dec-24