



VEHICLE	KIT	CROSSBAR
Subaru Levorg 4dr Wagon	DK292	SZ118
RUNNING DATES	16 -	
VEHICLE NOTES	See Page 2 for instructions	

VISIT THE ONLINE CALCULATOR FOR CURRENT SYSTEM LOAD LIMIT DATA

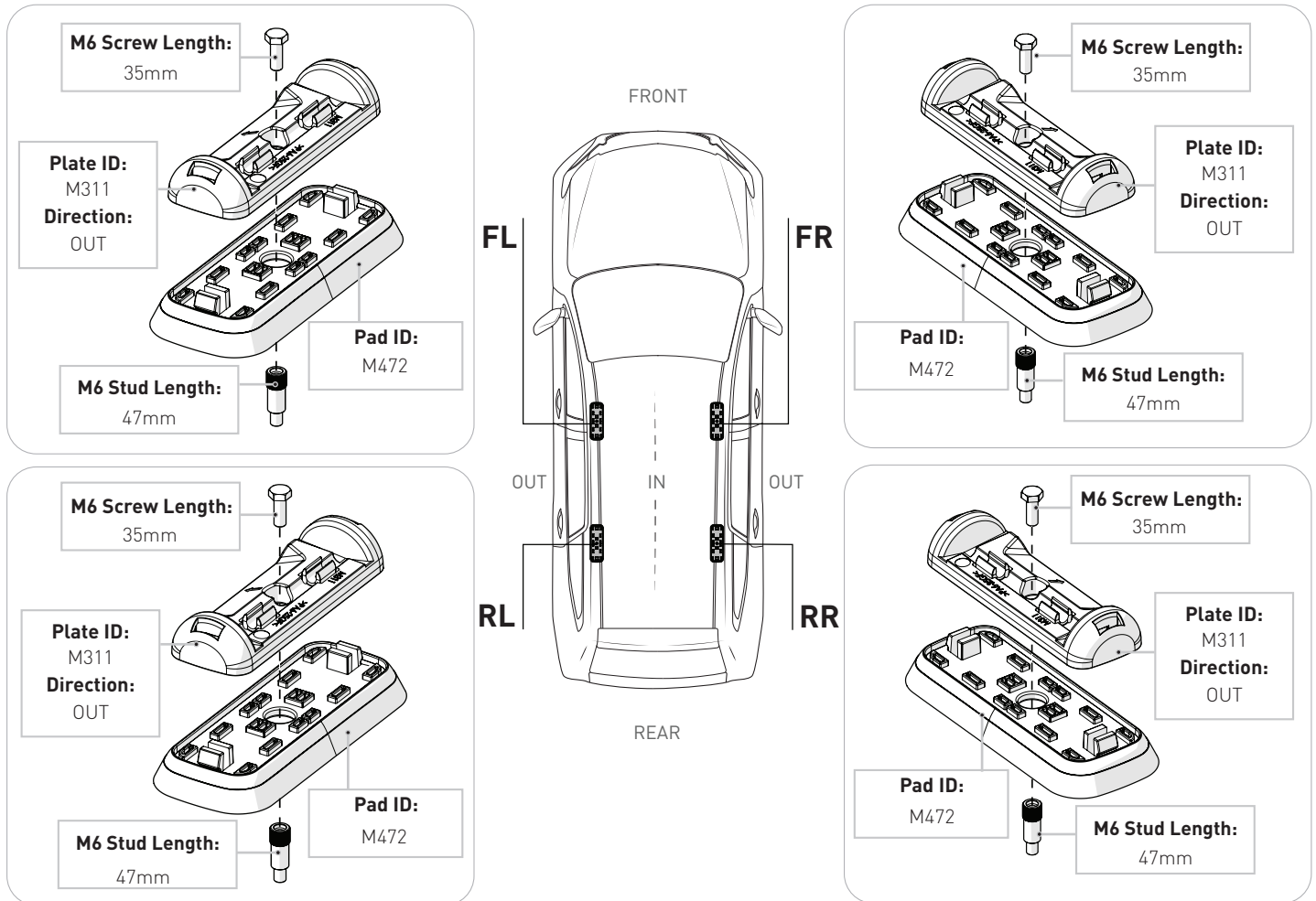


DYNAMIC ROAD LOAD LIMIT (NOTE: DIFFERENT ON AND OFF ROAD CARGO LIMIT)
***USE THE VEHICLE MANUFACTURER'S MAXIMUM ROOF ALLOWANCE IF IT IS LOWER THAN THE FIGURE LISTED**

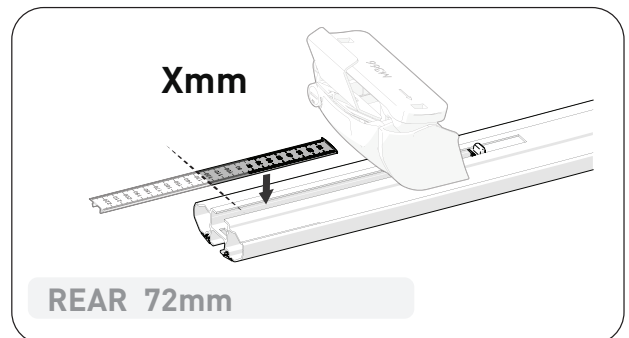
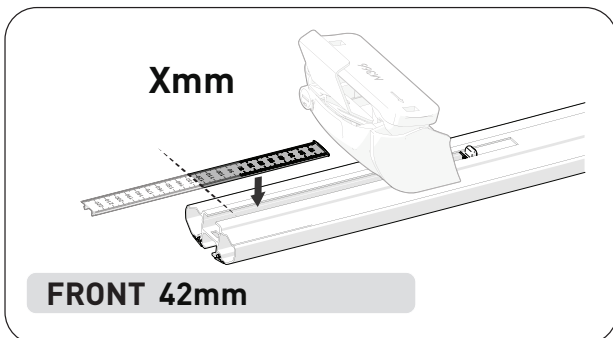
 LOAD LIMIT	 SYSTEM WEIGHT	 ON ROAD CARGO LIMIT	 OFF ROAD CARGO LIMIT (ON ROAD CARGO LIMIT / 2)
UP TO 75 kg 165 lb	5 kg 11lb	UP TO 70 kg 154 lb	UP TO 35 kg 77 lb

OR

PAD AND CLAMP DETAILS



MEASUREMENT STRIPS



NOTES FOR DEALERS / FITTERS

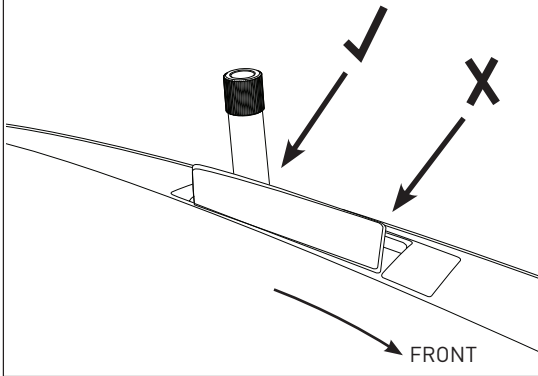
It is your responsibility to ensure these fitting instructions are given to the end user or client.

Document No: R4465
 Issue No: 1
 Issue Date: 9-Jan-25



VEHICLE	KIT	CROSSBAR
Subaru Levorg 4dr Wagon	DK292	SZ118
RUNNING DATES	16 -	
VEHICLE NOTES	See Page 2 for instructions	

Use REAR mount point of the two available under each flip-up window.



NOTES FOR DEALERS / FITTERS

It is your responsibility to ensure these fitting instructions are given to the end user or client.