



VEHICLE	KIT	CROSSBAR
BMW 5 Series GT 4dr hatch	DK292	SZ137
<b>RUNNING DATES</b>	10 - 13	
<b>VEHICLE NOTES</b>		

VISIT THE ONLINE CALCULATOR FOR CURRENT SYSTEM LOAD LIMIT DATA



**DYNAMIC ROAD LOAD LIMIT** (NOTE: DIFFERENT ON AND OFF ROAD CARGO LIMIT)  
**\*USE THE VEHICLE MANUFACTURER'S MAXIMUM ROOF ALLOWANCE IF IT IS LOWER THAN THE FIGURE LISTED**

 LOAD LIMIT	 SYSTEM WEIGHT	 ON ROAD CARGO LIMIT	 OFF ROAD CARGO LIMIT (ON ROAD CARGO LIMIT / 2)
UP TO <b>75 kg</b> <b>165 lb</b>	<b>5 kg</b> <b>11lb</b>	UP TO <b>70 kg</b> <b>154 lb</b>	UP TO <b>35 kg</b> <b>77 lb</b>

**OR**

### PAD AND CLAMP DETAILS

**M6 Screw Length:** 35mm

**Plate ID:** M311  
**Direction:** OUT

**M6 Stud Length:** 47mm

**Pad ID:** M472

**M6 Screw Length:** 35mm

**Plate ID:** M311  
**Direction:** OUT

**M6 Stud Length:** 47mm

**Pad ID:** M472

**M6 Screw Length:** 35mm

**Plate ID:** M311  
**Direction:** OUT

**M6 Stud Length:** 47mm

**Pad ID:** M472

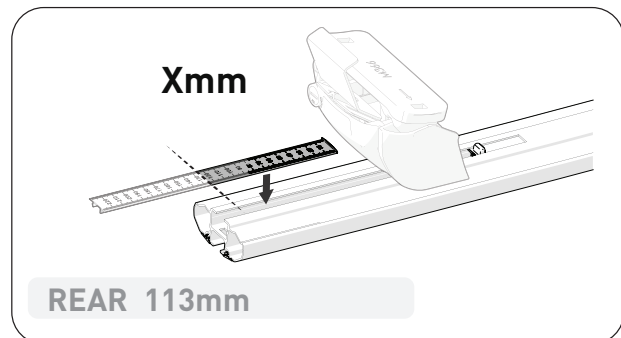
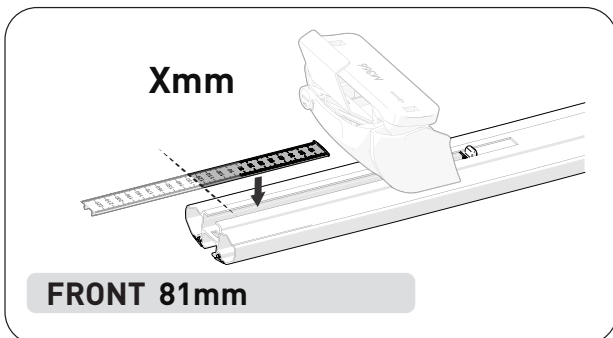
**M6 Screw Length:** 35mm

**Plate ID:** M311  
**Direction:** OUT

**M6 Stud Length:** 47mm

**Pad ID:** M472

### MEASUREMENT STRIPS



### NOTES FOR DEALERS / FITTERS

It is your responsibility to ensure these fitting instructions are given to the end user or client.

Document No: R4471  
 Issue No: 1  
 Issue Date: 9-Jan-25