



VEHICLE	KIT	CROSSBAR
Toyota 86 Subaru BRZ	DK290	SZ118
<b>RUNNING DATES</b>	2012-	
<b>VEHICLE NOTES</b>	RDM01 bracket kit also required.	

VISIT THE ONLINE CALCULATOR FOR CURRENT SYSTEM LOAD LIMIT DATA

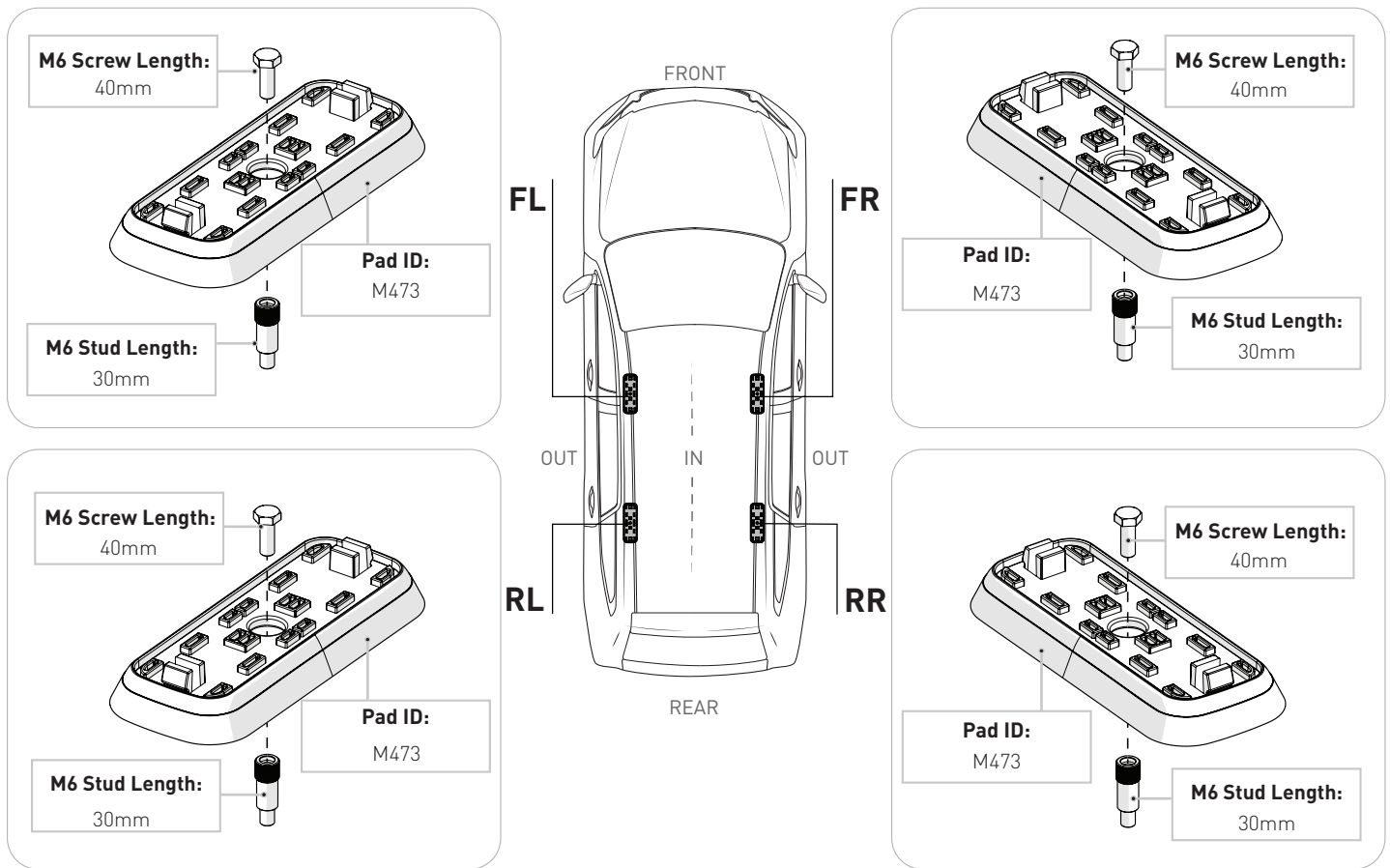


**DYNAMIC ROAD LOAD LIMIT** (NOTE: DIFFERENT ON AND OFF ROAD CARGO LIMIT)  
**\*USE THE VEHICLE MANUFACTURER'S MAXIMUM ROOF ALLOWANCE IF IT IS LOWER THAN THE FIGURE LISTED**

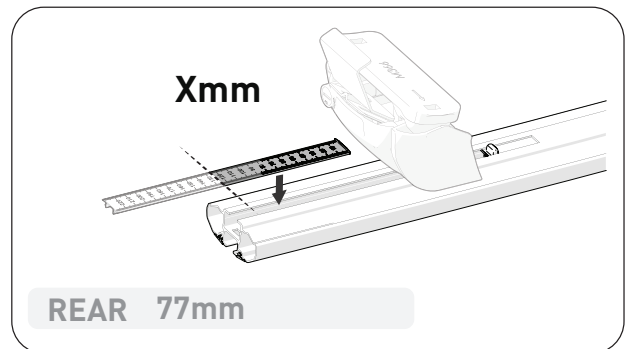
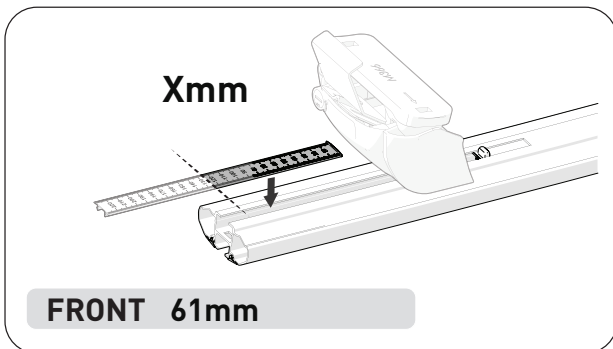
 LOAD LIMIT	 SYSTEM WEIGHT	 ON ROAD CARGO LIMIT	 OFF ROAD CARGO LIMIT (ON ROAD CARGO LIMIT / 2)
UP TO <b>75 kg *</b> <b>165 lb</b>	<b>5 kg</b> <b>11lb</b>	UP TO <b>70 kg</b> <b>154 lb</b>	UP TO <b>35 kg</b> <b>77 lb</b>

**OR**

### PAD AND CLAMP DETAILS



### MEASUREMENT STRIPS



### NOTES FOR DEALERS / FITTERS

It is your responsibility to ensure these fitting instructions are given to the end user or client.

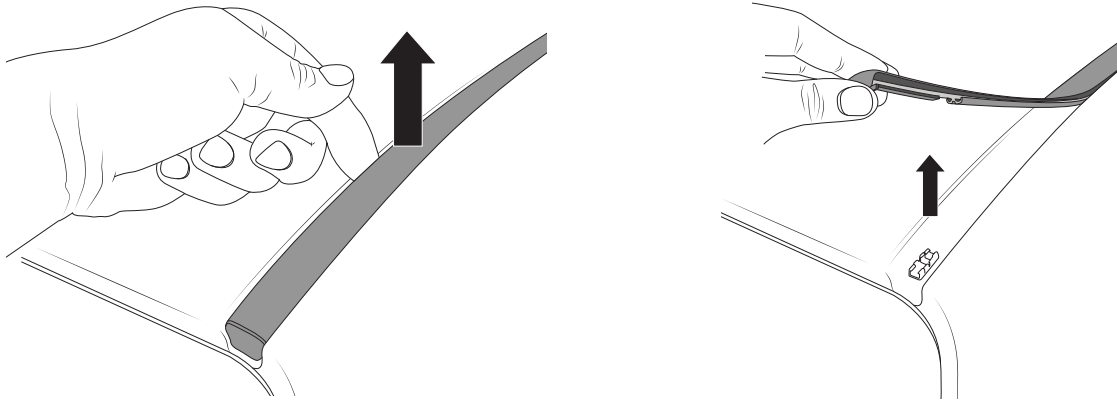
Document No: R4460  
 Issue No: 1  
 Issue Date: 8-Jan-25



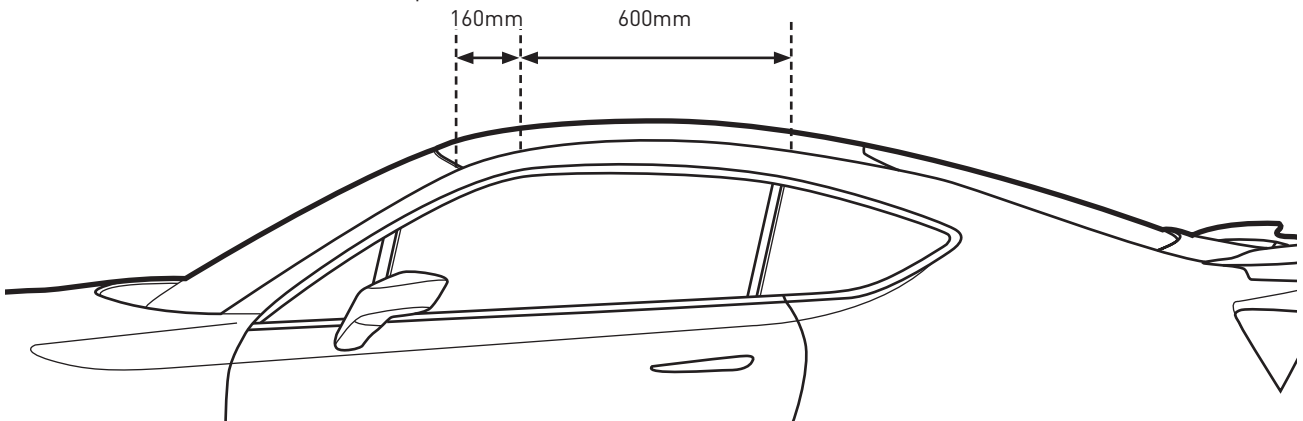
VEHICLE	KIT	CROSSBAR
Toyota 86 Subaru BRZ	DK290	SZ118
RUNNING DATES	2012-	
VEHICLE NOTES	RDM01 bracket kit also required.	

### DOOR SEAL INSTRUCTIONS

- 1** Move to the roof of the vehicle. Carefully pry out the Ditch Mould with a finger near the windshield. Clips are used to hold the Mould in place. Care is needed as to not damage them in removal.

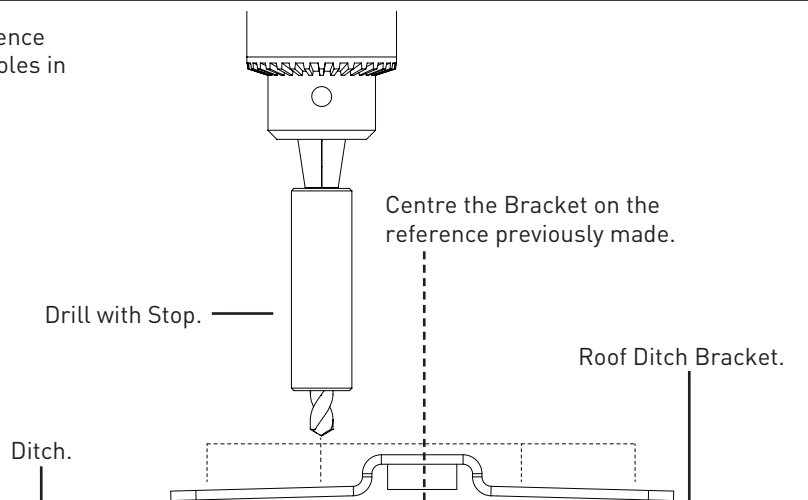


- 2** Measure 160mm back from the windshield and create a reference in the ditch. From this point measure back a further 600mm and create another reference point.



- 3** Place the RDM01 Brackets centred at the reference marks previously made. Spot drill all marked holes in the ditch. Be sure to use a drill stop.

Follow steps 3 onward in the RDM01 Generic Instructions (document number R877).



### NOTES FOR DEALERS / FITTERS

It is your responsibility to ensure these fitting instructions are given to the end user or client.