

VEHICLE	KIT	CROSSBAR
Peugeot 4008 4dr SUV	DK289	SZ126
<b>RUNNING DATES</b>	12-	
<b>VEHICLE NOTES</b>		

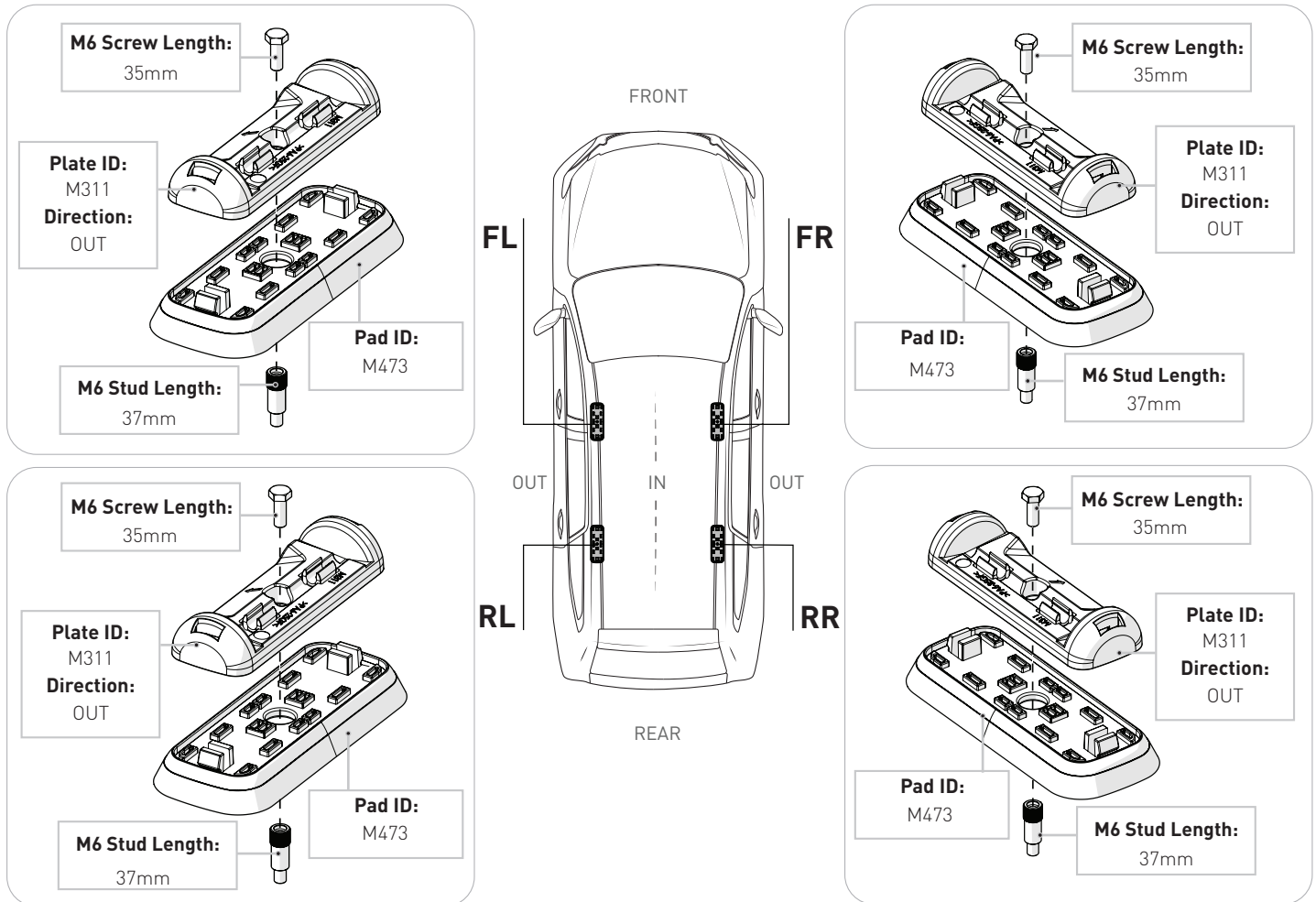
VISIT THE ONLINE CALCULATOR FOR CURRENT SYSTEM LOAD LIMIT DATA



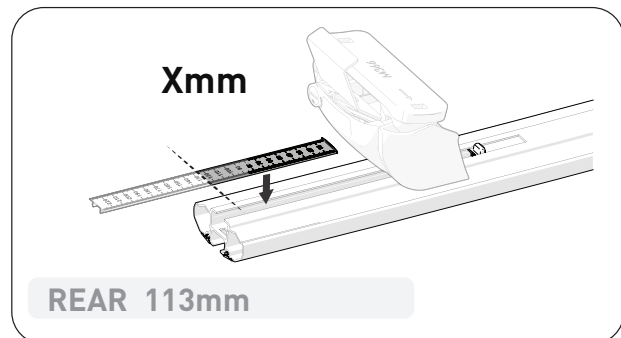
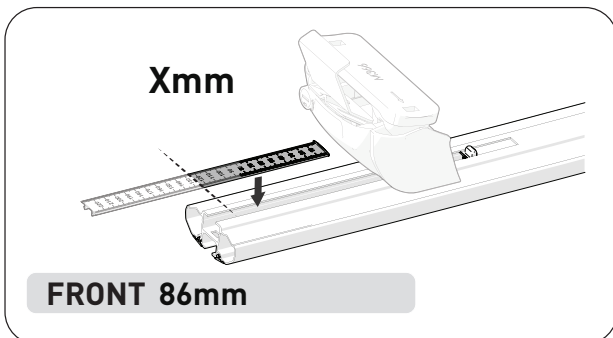
**DYNAMIC ROAD LOAD LIMIT** (NOTE: DIFFERENT ON AND OFF ROAD CARGO LIMIT)  
**\*USE THE VEHICLE MANUFACTURER'S MAXIMUM ROOF ALLOWANCE IF IT IS LOWER THAN THE FIGURE LISTED**

 LOAD LIMIT UP TO <b>75 kg</b> <b>165 lb</b>	 SYSTEM WEIGHT <b>2.5 kg</b> <b>6lb</b>	<b>=</b>	 ON ROAD CARGO LIMIT UP TO <b>73 kg</b> <b>160 lb</b>	<b>OR</b>	 OFF ROAD CARGO LIMIT (ON ROAD CARGO LIMIT / 2) UP TO <b>36 kg</b> <b>80 lb</b>
---	--	----------	--	-----------	---

**PAD AND CLAMP DETAILS**



**MEASUREMENT STRIPS**



**NOTES FOR DEALERS / FITTERS**

It is your responsibility to ensure these fitting instructions are given to the end user or client.

Document No: R4458  
 Issue No: 1  
 Issue Date: 18-Dec-24