

VEHICLE	KIT	CROSSBAR
Mazda CX-9 4dr SUV	DK289	SZ126
RUNNING DATES	2007-2015	
VEHICLE NOTES		

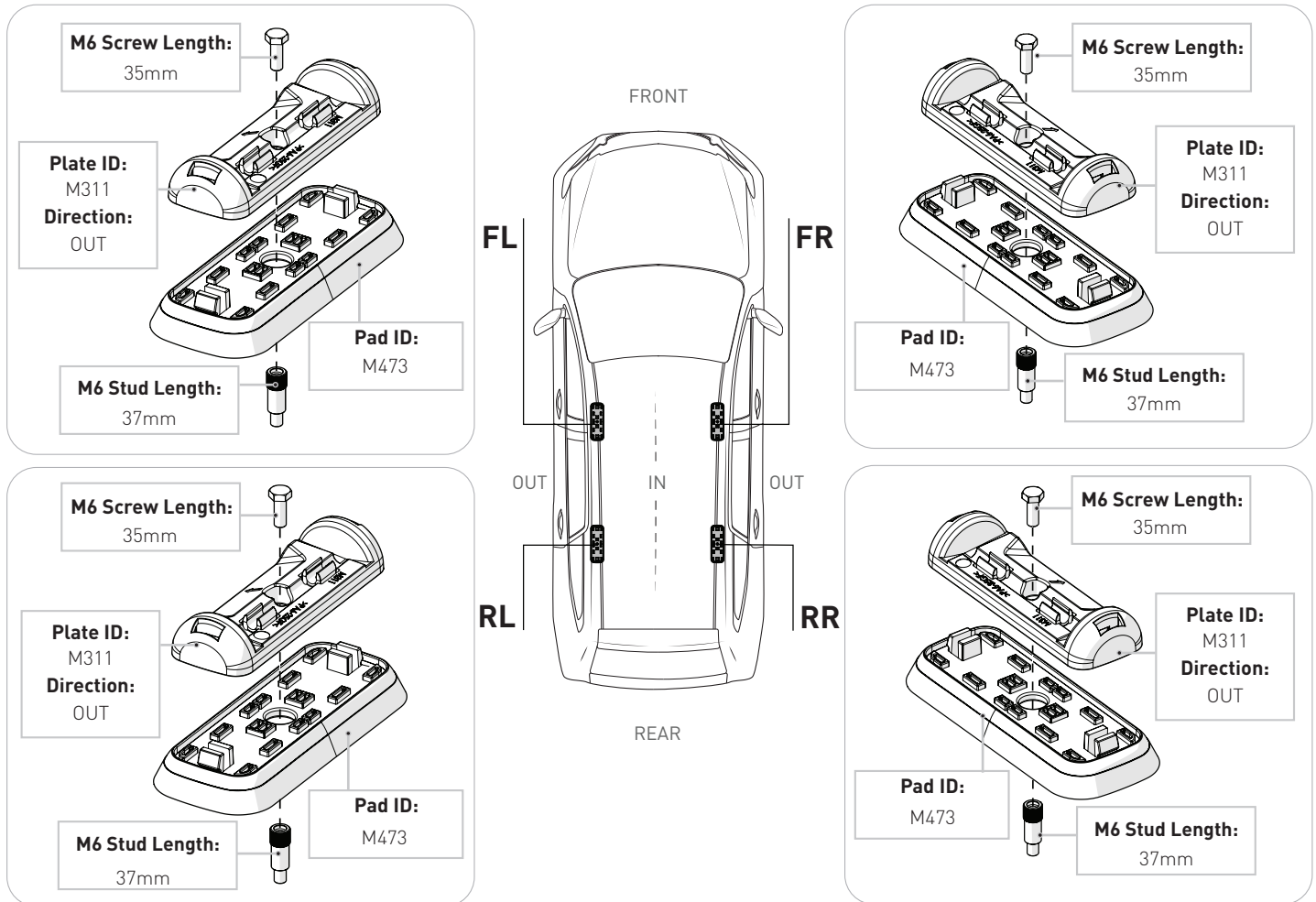
VISIT THE ONLINE CALCULATOR FOR CURRENT SYSTEM LOAD LIMIT DATA



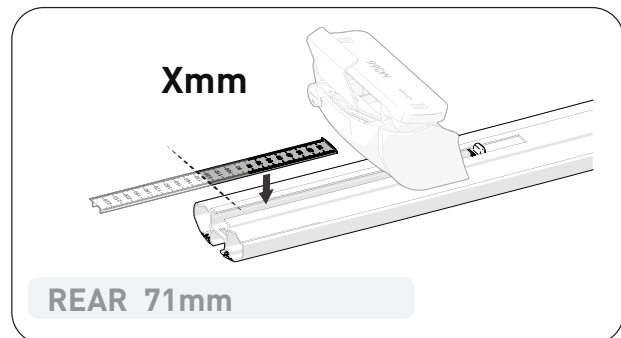
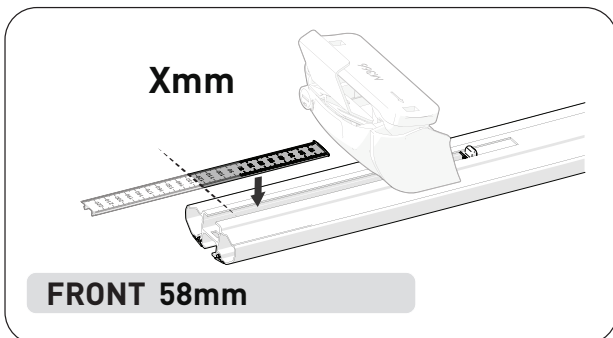
DYNAMIC ROAD LOAD LIMIT (NOTE: DIFFERENT ON AND OFF ROAD CARGO LIMIT)
***USE THE VEHICLE MANUFACTURER'S MAXIMUM ROOF ALLOWANCE IF IT IS LOWER THAN THE FIGURE LISTED**

<p>LOAD LIMIT</p> <p>UP TO 75 kg 165 lb</p>	<p>SYSTEM WEIGHT</p> <p>5 kg 11lb</p>	<p>=</p>	<p>ON ROAD CARGO LIMIT</p> <p>UP TO 70 kg 154 lb</p>	<p>OR</p> <p>OFF ROAD CARGO LIMIT (ON ROAD CARGO LIMIT / 2)</p> <p>UP TO 35 kg 77 lb</p>
---	---	-----------------	--	---

PAD AND CLAMP DETAILS



MEASUREMENT STRIPS



NOTES FOR DEALERS / FITTERS

It is your responsibility to ensure these fitting instructions are given to the end user or client.

Document No: R4456
 Issue No: 1
 Issue Date: 18-Dec-24