



VEHICLE	KIT	CROSSBAR
Mazda 6 5dr hatch	DK289	SZ118
RUNNING DATES	2008-2012	
VEHICLE NOTES		

VISIT THE ONLINE CALCULATOR FOR CURRENT SYSTEM LOAD LIMIT DATA



DYNAMIC ROAD LOAD LIMIT (NOTE: DIFFERENT ON AND OFF ROAD CARGO LIMIT)
***USE THE VEHICLE MANUFACTURER'S MAXIMUM ROOF ALLOWANCE IF IT IS LOWER THAN THE FIGURE LISTED**

 LOAD LIMIT	 SYSTEM WEIGHT	 ON ROAD CARGO LIMIT	 OFF ROAD CARGO LIMIT (ON ROAD CARGO LIMIT / 2)
UP TO 75 kg 165 lb	5 kg 11lb	UP TO 70 kg 154 lb	UP TO 35 kg 77 lb

OR

PAD AND CLAMP DETAILS

M6 Screw Length: 35mm

Plate ID: M311
Direction: OUT

M6 Stud Length: 37mm

Pad ID: M473

FRONT

FL FR

OUT IN OUT

RL RR

REAR

M6 Screw Length: 35mm

Plate ID: M311
Direction: OUT

M6 Stud Length: 37mm

Pad ID: M473

M6 Screw Length: 35mm

Plate ID: M311
Direction: OUT

M6 Stud Length: 37mm

Pad ID: M473

FRONT

FL FR

OUT IN OUT

RL RR

REAR

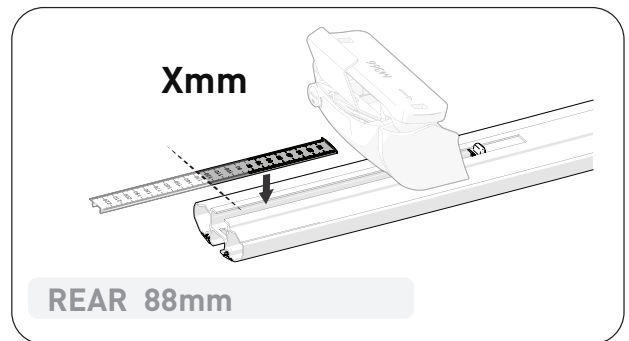
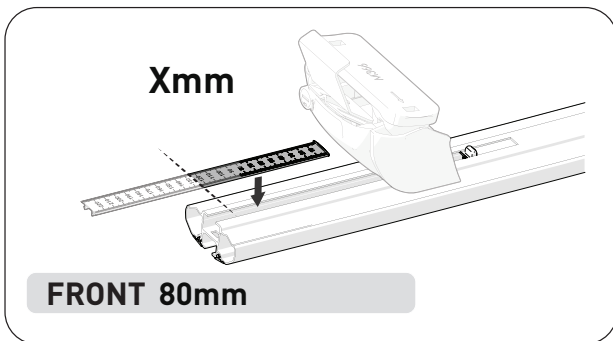
M6 Screw Length: 35mm

Plate ID: M311
Direction: OUT

M6 Stud Length: 37mm

Pad ID: M473

MEASUREMENT STRIPS



NOTES FOR DEALERS / FITTERS

It is your responsibility to ensure these fitting instructions are given to the end user or client.

Document No: R4452
 Issue No: 1
 Issue Date: 18-Dec-24