



VEHICLE	KIT	CROSSBAR
Mazda 6 4dr sedan	DK289	SZ118
RUNNING DATES	2008-2012	
VEHICLE NOTES		

VISIT THE ONLINE CALCULATOR FOR CURRENT SYSTEM LOAD LIMIT DATA



DYNAMIC ROAD LOAD LIMIT (NOTE: DIFFERENT ON AND OFF ROAD CARGO LIMIT)
***USE THE VEHICLE MANUFACTURER'S MAXIMUM ROOF ALLOWANCE IF IT IS LOWER THAN THE FIGURE LISTED**

LOAD LIMIT	SYSTEM WEIGHT	ON ROAD CARGO LIMIT	OFF ROAD CARGO LIMIT (ON ROAD CARGO LIMIT / 2)
UP TO 75 kg 165 lb	5 kg 11lb	UP TO 70 kg 154 lb	UP TO 35 kg 77 lb

OR

PAD AND CLAMP DETAILS

M6 Screw Length:
35mm

Plate ID:
M311
Direction:
OUT

M6 Stud Length:
37mm

FRONT

FL FR

OUT IN OUT

RL RR

REAR

M6 Screw Length:
35mm

Plate ID:
M311
Direction:
OUT

M6 Stud Length:
37mm

M6 Screw Length:
35mm

Plate ID:
M311
Direction:
OUT

M6 Stud Length:
37mm

FRONT

FL FR

OUT IN OUT

RL RR

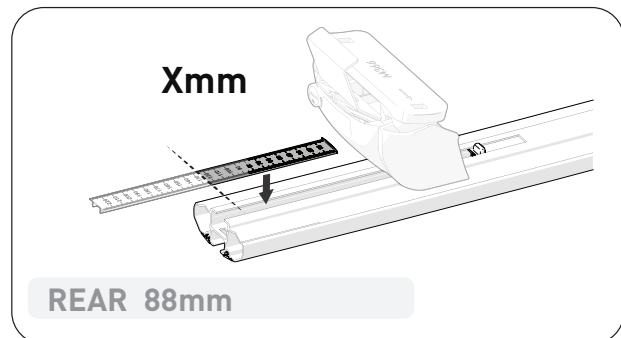
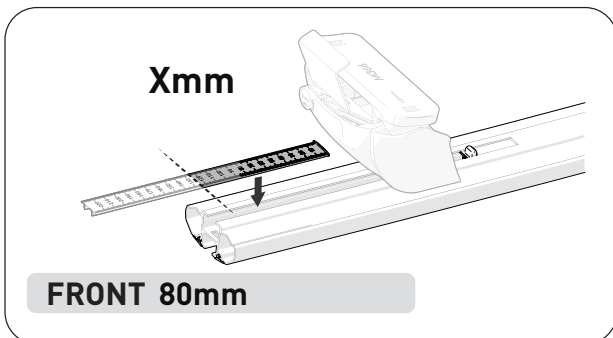
REAR

M6 Screw Length:
35mm

Plate ID:
M311
Direction:
OUT

M6 Stud Length:
37mm

MEASUREMENT STRIPS



NOTES FOR DEALERS / FITTERS

It is your responsibility to ensure these fitting instructions are given to the end user or client.

Document No: R4453
 Issue No: 1
 Issue Date: 18-Dec-24