



VEHICLE	KIT	CROSSBAR
Hyundai i30 5dr hatch	DK289	SZ118
<b>RUNNING DATES</b>	10/07- 04/12	
<b>VEHICLE NOTES</b>		

VISIT THE ONLINE CALCULATOR FOR CURRENT SYSTEM LOAD LIMIT DATA



**DYNAMIC ROAD LOAD LIMIT** (NOTE: DIFFERENT ON AND OFF ROAD CARGO LIMIT)  
**\*USE THE VEHICLE MANUFACTURER'S MAXIMUM ROOF ALLOWANCE IF IT IS LOWER THAN THE FIGURE LISTED**

LOAD LIMIT	SYSTEM WEIGHT	ON ROAD CARGO LIMIT	OFF ROAD CARGO LIMIT (ON ROAD CARGO LIMIT / 2)
UP TO <b>75 kg</b> <b>165 lb</b>	<b>5 kg</b> <b>11lb</b>	UP TO <b>70 kg</b> <b>154 lb</b>	UP TO <b>35 kg</b> <b>77 lb</b>

### PAD AND CLAMP DETAILS

**M6 Screw Length:** 35mm

**Plate ID:** M311  
**Direction:** OUT

**Pad ID:** M473

**M6 Stud Length:** 37mm

**M6 Screw Length:** 35mm

**Plate ID:** M311  
**Direction:** OUT

**Pad ID:** M473

**M6 Stud Length:** 37mm

**M6 Screw Length:** 35mm

**Plate ID:** M311  
**Direction:** OUT

**Pad ID:** M473

**M6 Stud Length:** 37mm

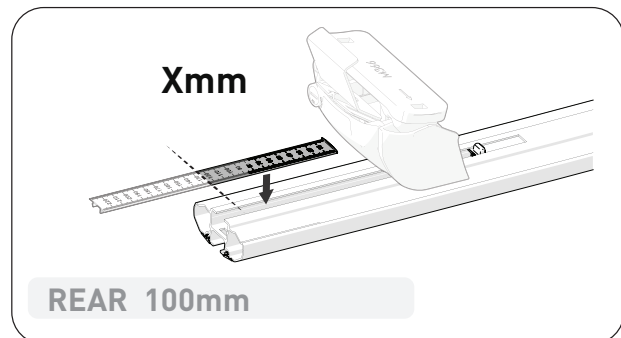
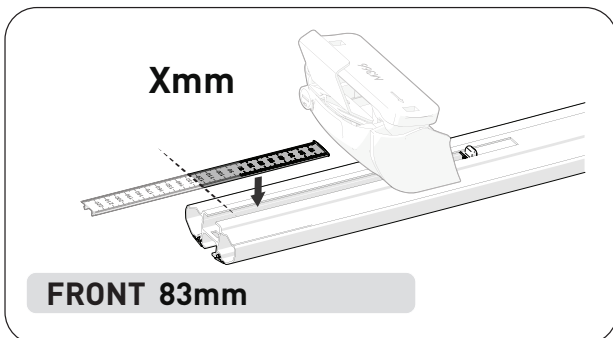
**M6 Screw Length:** 35mm

**Plate ID:** M311  
**Direction:** OUT

**Pad ID:** M473

**M6 Stud Length:** 37mm

### MEASUREMENT STRIPS



### NOTES FOR DEALERS / FITTERS

It is your responsibility to ensure these fitting instructions are given to the end user or client.

Document No: R4441  
 Issue No: 1  
 Issue Date: 18-Dec-24



VEHICLE	KIT	CROSSBAR
Hyundai i30 5dr hatch	DK289	SZ118
<b>RUNNING DATES</b>	10/07- 04/12	
<b>VEHICLE NOTES</b>		

VISIT THE ONLINE CALCULATOR FOR CURRENT SYSTEM LOAD LIMIT DATA



**DYNAMIC ROAD LOAD LIMIT** (NOTE: DIFFERENT ON AND OFF ROAD CARGO LIMIT)  
**\*USE THE VEHICLE MANUFACTURER'S MAXIMUM ROOF ALLOWANCE IF IT IS LOWER THAN THE FIGURE LISTED**

 LOAD LIMIT <b>UP TO 75 kg</b> <b>165 lb</b>	 SYSTEM WEIGHT <b>5 kg</b> <b>11lb</b>	=	 ON ROAD CARGO LIMIT <b>UP TO 70 kg</b> <b>154 lb</b>	<b>OR</b>	 OFF ROAD CARGO LIMIT (ON ROAD CARGO LIMIT / 2) <b>UP TO 35 kg</b> <b>77 lb</b>
---	---	---	--	-----------	---

**1**

Side View:  
Stud.  
i30 Washer.  
(W058)

Place the four Washers provided under each of the Studs in the DK Kit. Install Studs as per instructions.

### NOTES FOR DEALERS / FITTERS