

VEHICLE	KIT	CROSSBAR
Hyundai i30 5dr hatch	DK289	SZ118
RUNNING DATES	05/12-	
VEHICLE NOTES		

VISIT THE ONLINE CALCULATOR FOR CURRENT SYSTEM LOAD LIMIT DATA

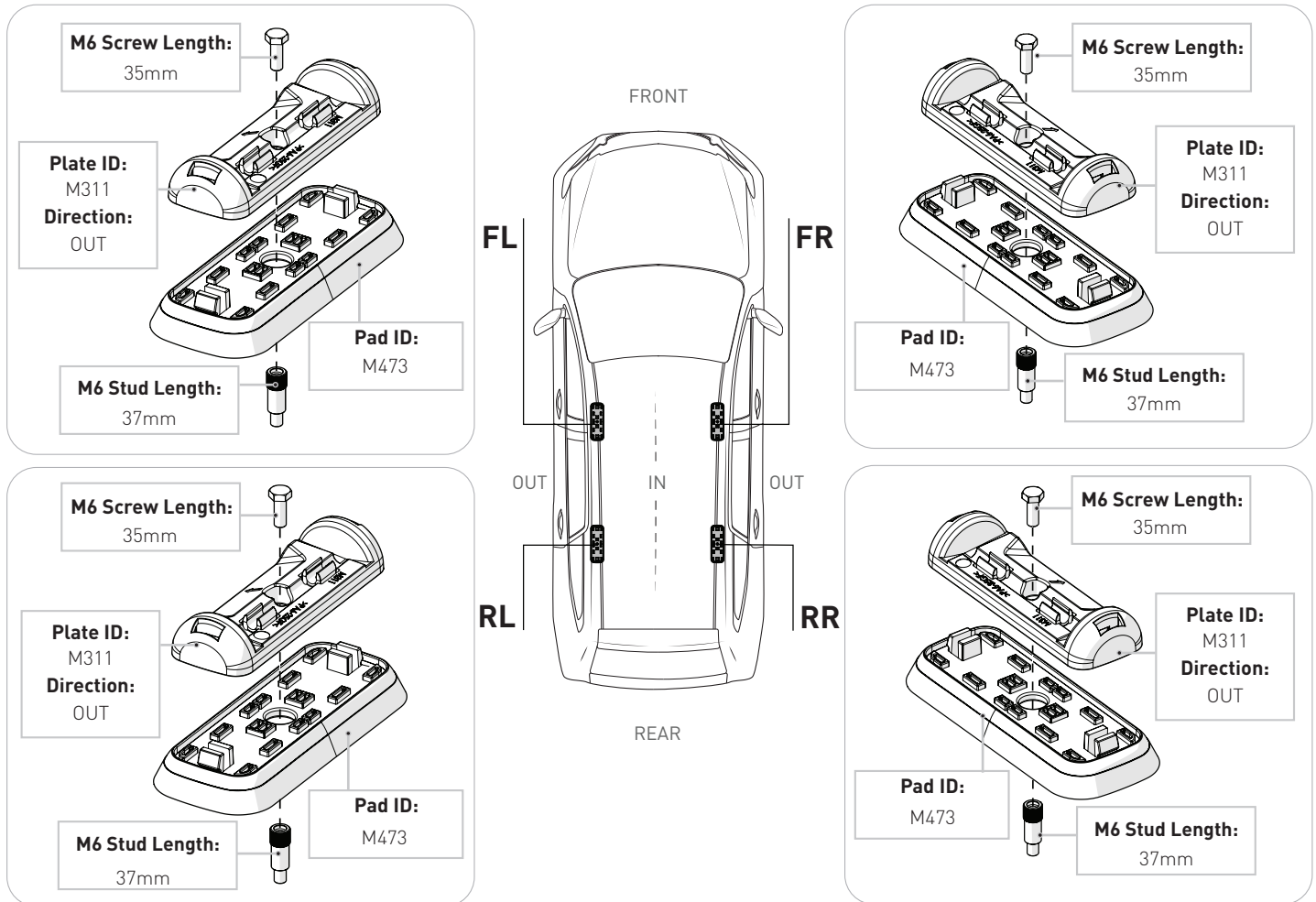


DYNAMIC ROAD LOAD LIMIT (NOTE: DIFFERENT ON AND OFF ROAD CARGO LIMIT)
***USE THE VEHICLE MANUFACTURER'S MAXIMUM ROOF ALLOWANCE IF IT IS LOWER THAN THE FIGURE LISTED**

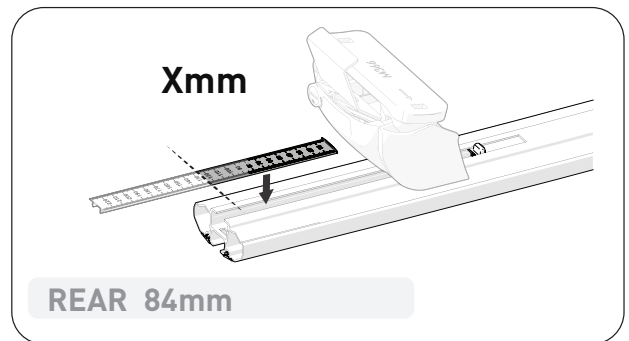
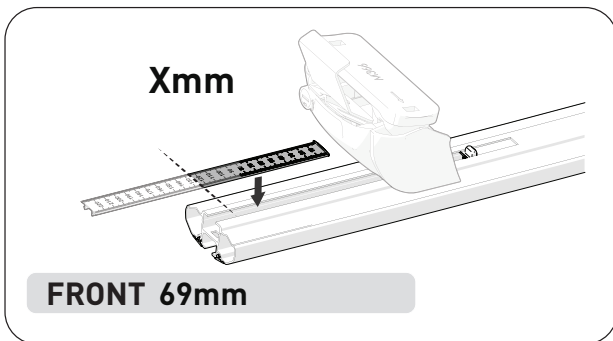
<p>LOAD LIMIT</p> <p>UP TO 75 kg 165 lb</p>	<p>SYSTEM WEIGHT</p> <p>5 kg 11lb</p>	<p>ON ROAD CARGO LIMIT</p> <p>UP TO 70 kg 154 lb</p>	<p>OFF ROAD CARGO LIMIT (ON ROAD CARGO LIMIT / 2)</p> <p>UP TO 35 kg 77 lb</p>
---	---	--	--

OR

PAD AND CLAMP DETAILS



MEASUREMENT STRIPS



NOTES FOR DEALERS / FITTERS



VEHICLE	KIT	CROSSBAR
Hyundai i30 5dr hatch	DK289	SZ118
RUNNING DATES	05/12-	
VEHICLE NOTES		

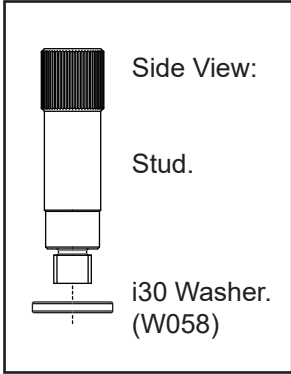
VISIT THE ONLINE CALCULATOR FOR CURRENT SYSTEM LOAD LIMIT DATA



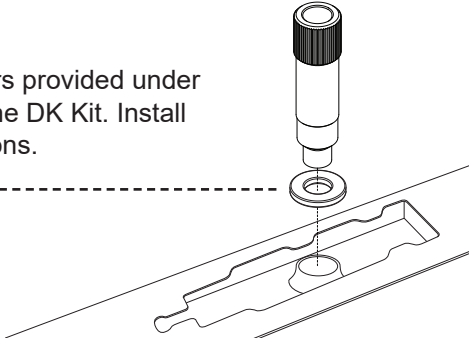
DYNAMIC ROAD LOAD LIMIT (NOTE: DIFFERENT ON AND OFF ROAD CARGO LIMIT)
***USE THE VEHICLE MANUFACTURER'S MAXIMUM ROOF ALLOWANCE IF IT IS LOWER THAN THE FIGURE LISTED**

 LOAD LIMIT UP TO 75 kg 165 lb	 SYSTEM WEIGHT 5 kg 11lb	=	 ON ROAD CARGO LIMIT UP TO 70 kg 154 lb	OR	 OFF ROAD CARGO LIMIT (ON ROAD CARGO LIMIT / 2) UP TO 35 kg 77 lb
---	---	---	--	----	---

1



Place the four Washers provided under each of the Studs in the DK Kit. Install Studs as per instructions.



NOTES FOR DEALERS / FITTERS