



VEHICLE	KIT	CROSSBAR
Kia Optima TF 3rd Gen 4dr sedan	DK283	SZ126
<b>RUNNING DATES</b>	2011- 2015	
<b>VEHICLE NOTES</b>		

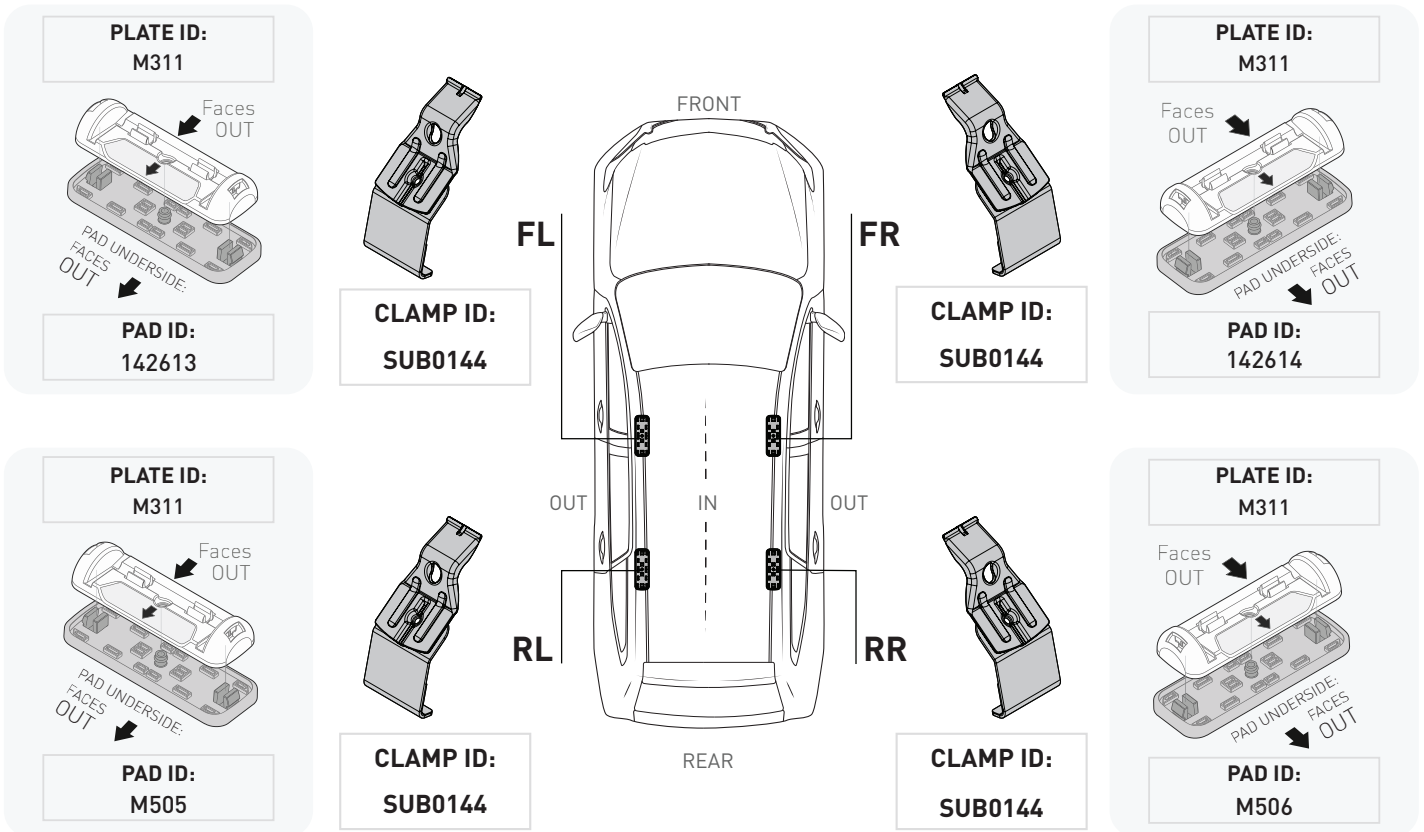
VISIT THE ONLINE CALCULATOR FOR CURRENT SYSTEM LOAD LIMIT DATA



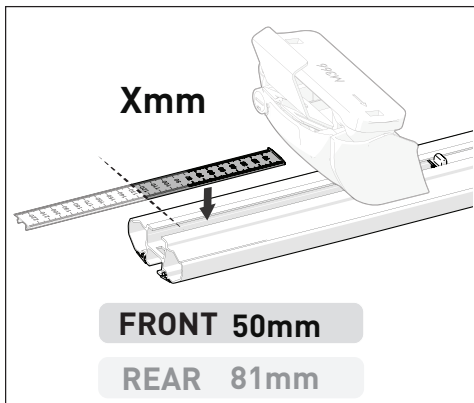
**DYNAMIC ROAD LOAD LIMIT (NOTE: DIFFERENT ON AND OFF ROAD CARGO LIMIT)**  
**\*USE THE VEHICLE MANUFACTURER'S MAXIMUM ROOF ALLOWANCE IF IT IS LOWER THAN THE FIGURE LISTED**

 LOAD LIMIT	 SYSTEM WEIGHT	 ON ROAD CARGO LIMIT	 OFF ROAD CARGO LIMIT (ON ROAD CARGO LIMIT / 2)
UP TO <b>75 kg *</b> <b>165 lb</b>	<b>— 5 kg</b> <b>11lb</b>	<b>= UP TO 70 kg</b> <b>154 lb</b>	<b>OR UP TO 35 kg</b> <b>77 lb</b>

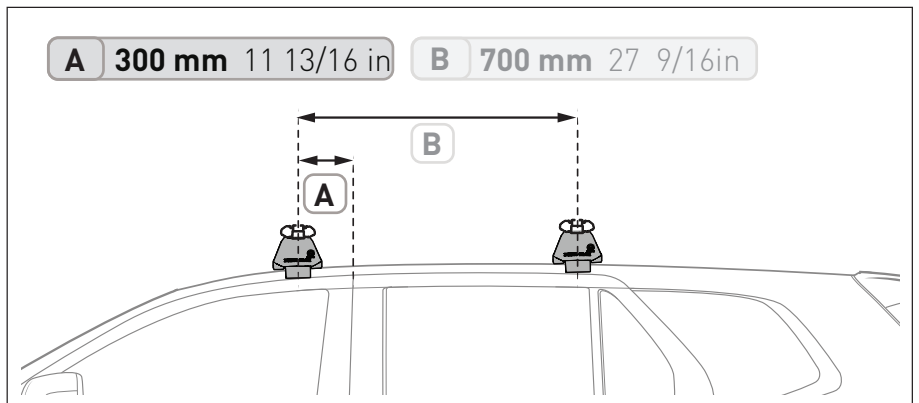
### PAD AND CLAMP DETAILS



### MEASUREMENT STRIPS



### VEHICLE POSITIONING



### NOTES FOR DEALERS / FITTERS

It is your responsibility to ensure these fitting instructions are given to the end user or client.