



VEHICLE	KIT	CROSSBAR
Chevrolet Silverado (Ext. Cab)	DK227	SZ137
<b>RUNNING DATES</b>	1999-2006	
<b>VEHICLE NOTES</b>	Refer to page .2 for reference images	

VISIT THE ONLINE CALCULATOR FOR CURRENT SYSTEM LOAD LIMIT DATA

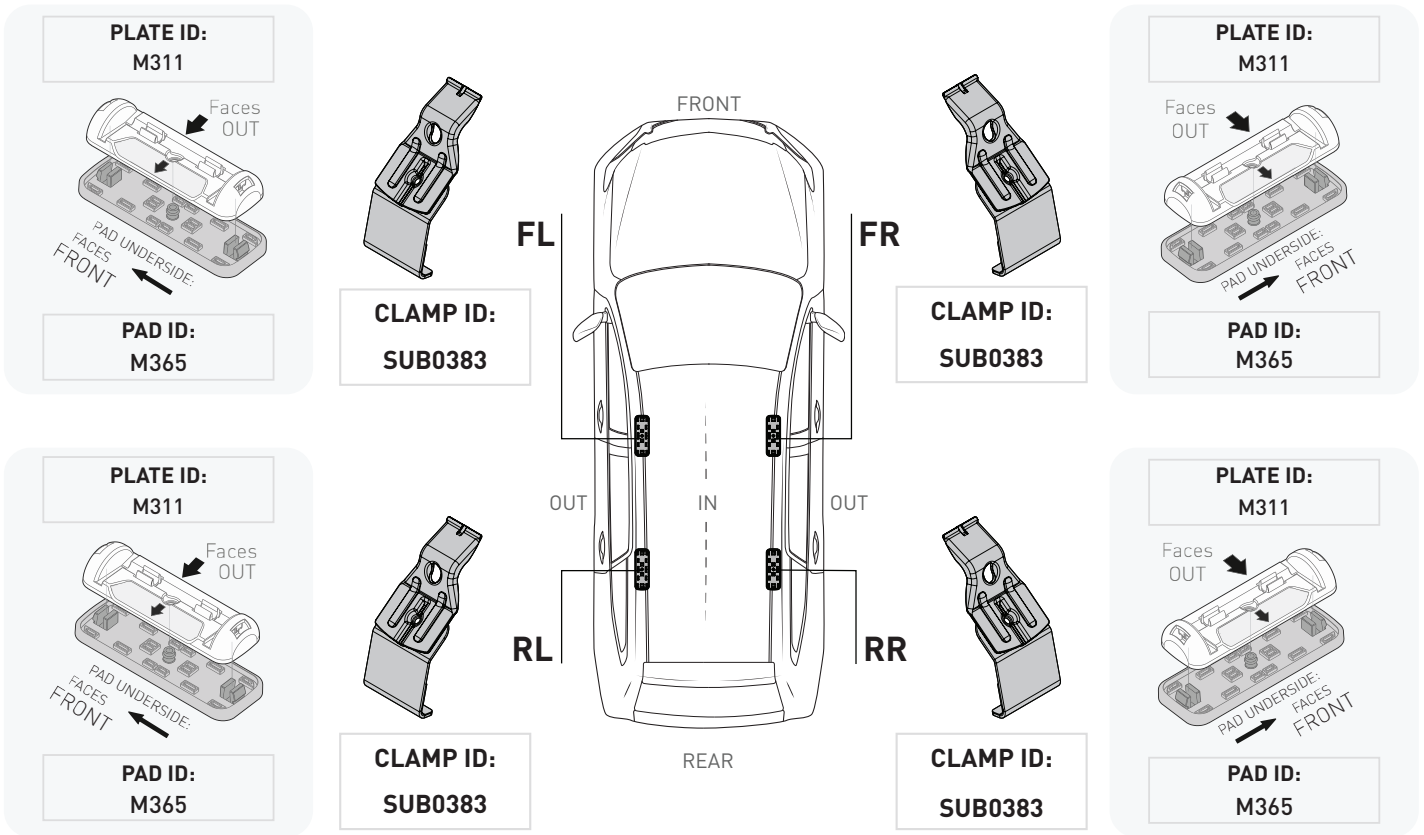


**DYNAMIC ROAD LOAD LIMIT** (NOTE: DIFFERENT ON AND OFF ROAD CARGO LIMIT)  
**\*USE THE VEHICLE MANUFACTURER'S MAXIMUM ROOF ALLOWANCE IF IT IS LOWER THAN THE FIGURE LISTED**

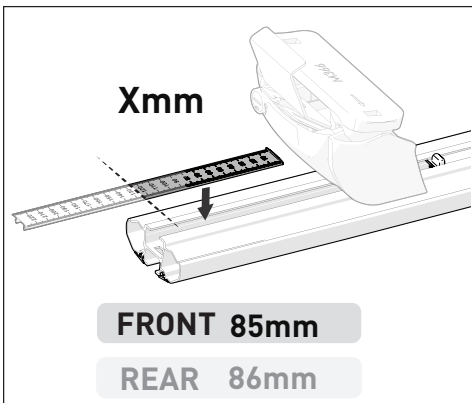
LOAD LIMIT	SYSTEM WEIGHT	ON ROAD CARGO LIMIT	OFF ROAD CARGO LIMIT (ON ROAD CARGO LIMIT / 2)
UP TO <b>60 kg *</b> <b>132 lb</b>	<b>5 kg</b> <b>11lb</b>	UP TO <b>55 kg</b> <b>121 lb</b>	UP TO <b>28 kg</b> <b>61 lb</b>

**OR**

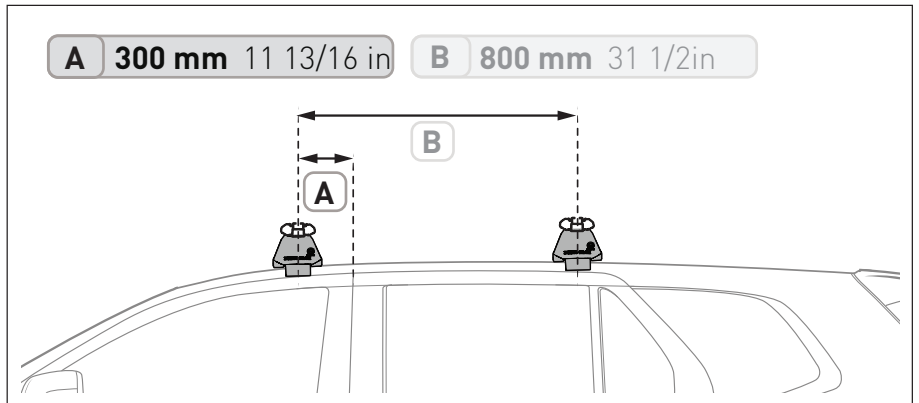
### PAD AND CLAMP DETAILS



### MEASUREMENT STRIPS



### VEHICLE POSITIONING



### NOTES FOR DEALERS / FITTERS

It is your responsibility to ensure these fitting instructions are given to the end user or client.



VEHICLE		KIT	CROSSBAR
Chevrolet Silverado (Ext. Cab)		DK227	SZ137
RUNNING DATES	1999-2006		
VEHICLE NOTES			

### Reference Images

