

VEHICLE	KIT	CROSSBAR
Chevrolet Silverado HD (Ext. Cab) - Front Bar	DK227H	SZ137
RUNNING DATES	2007-2014	
VEHICLE NOTES	SEE PAGE 02 FOR REAR SINGLE BAR FIT	

VISIT THE ONLINE CALCULATOR FOR CURRENT SYSTEM LOAD LIMIT DATA

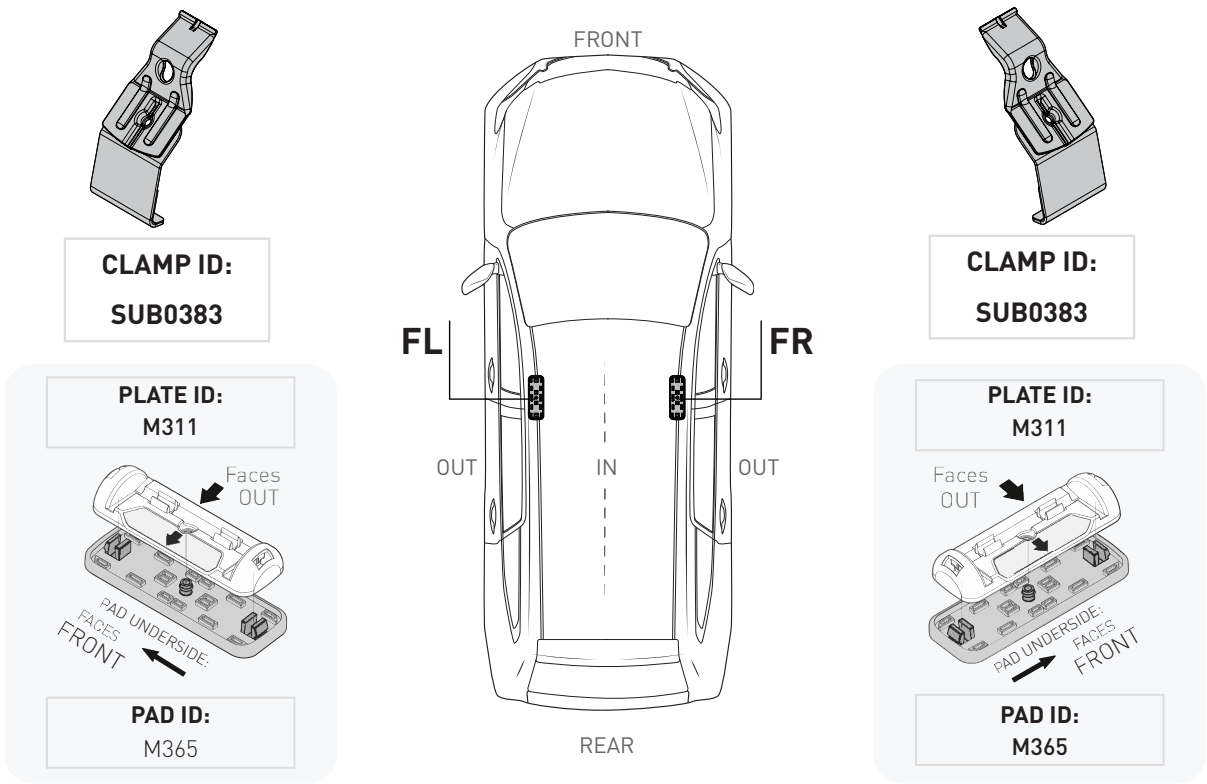


DYNAMIC ROAD LOAD LIMIT (NOTE: DIFFERENT ON AND OFF ROAD CARGO LIMIT)
***USE THE VEHICLE MANUFACTURER'S MAXIMUM ROOF ALLOWANCE IF IT IS LOWER THAN THE FIGURE LISTED**

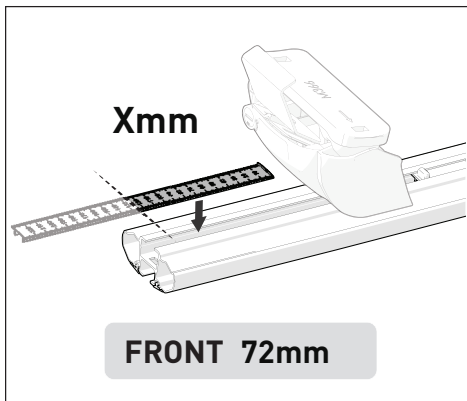
 LOAD LIMIT UP TO 30 kg * 66 lb	 SYSTEM WEIGHT — 32.5 kg = 6 lb	 ON ROAD CARGO LIMIT UP TO 28 kg 61 lb	 OFF ROAD CARGO LIMIT (ON ROAD CARGO LIMIT / 2) UP TO 18 kg 40 lb
---	---	--	--

OR

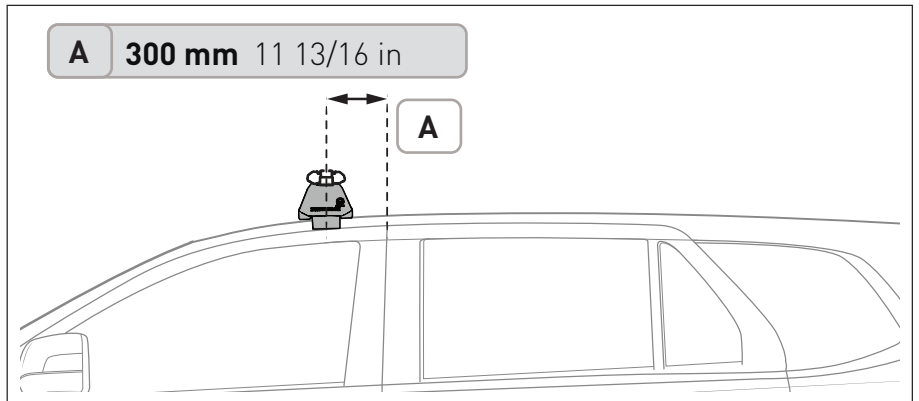
PAD AND CLAMP FRONT DETAILS



MEASUREMENT STRIPS



VEHICLE POSITIONING



NOTES FOR DEALERS / FITTERS

It is your responsibility to ensure these fitting instructions are given to the end user or client.



VEHICLE	KIT	CROSSBAR
Chevrolet Silverado HD (Ext. Cab) - Rear Bar	DK227H	SZ137
RUNNING DATES	2007-2014	
VEHICLE NOTES		

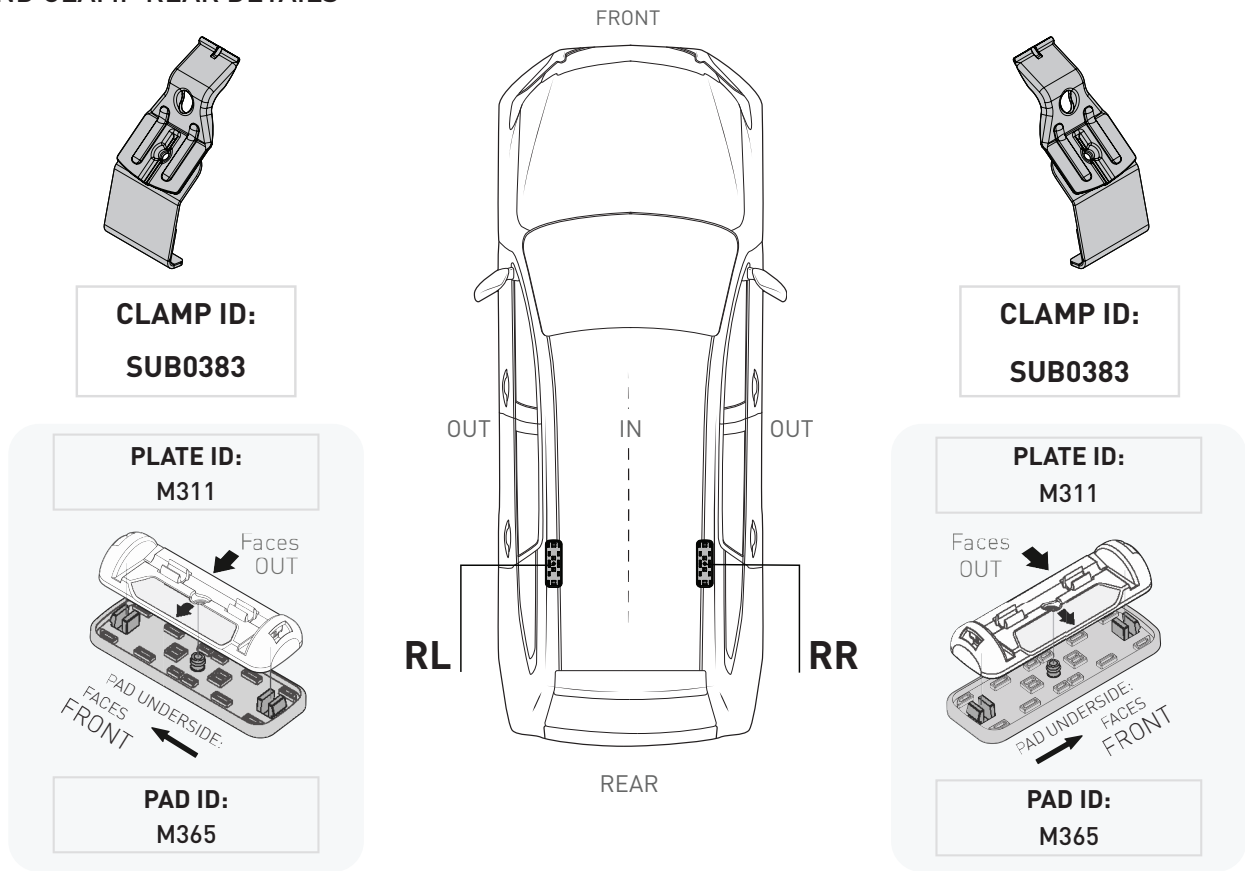
VISIT THE ONLINE CALCULATOR FOR CURRENT SYSTEM LOAD LIMIT DATA



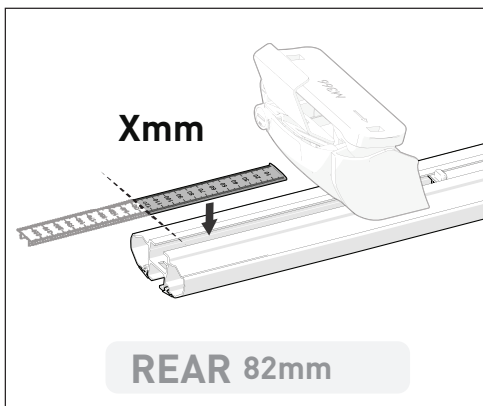
DYNAMIC ROAD LOAD LIMIT (NOTE: DIFFERENT ON AND OFF ROAD CARGO LIMIT)
***USE THE VEHICLE MANUFACTURER'S MAXIMUM ROOF ALLOWANCE IF IT IS LOWER THAN THE FIGURE LISTED**

 LOAD LIMIT UP TO 30 kg * 66 lb	 SYSTEM WEIGHT 32.5 kg 6lb	 ON ROAD CARGO LIMIT UP TO 28 kg 61 lb	 OFF ROAD CARGO LIMIT (ON ROAD CARGO LIMIT / 2) OR UP TO 18 kg 40 lb
---	--	--	---

PAD AND CLAMP REAR DETAILS



MEASUREMENT STRIPS



VEHICLE POSITIONING

