



VEHICLE	KIT	CROSSBAR
Mazda BT-50 4dr Dual Cab	DK221	SZ126
<b>RUNNING DATES</b>	12/06-10/11	
<b>VEHICLE NOTES</b>		

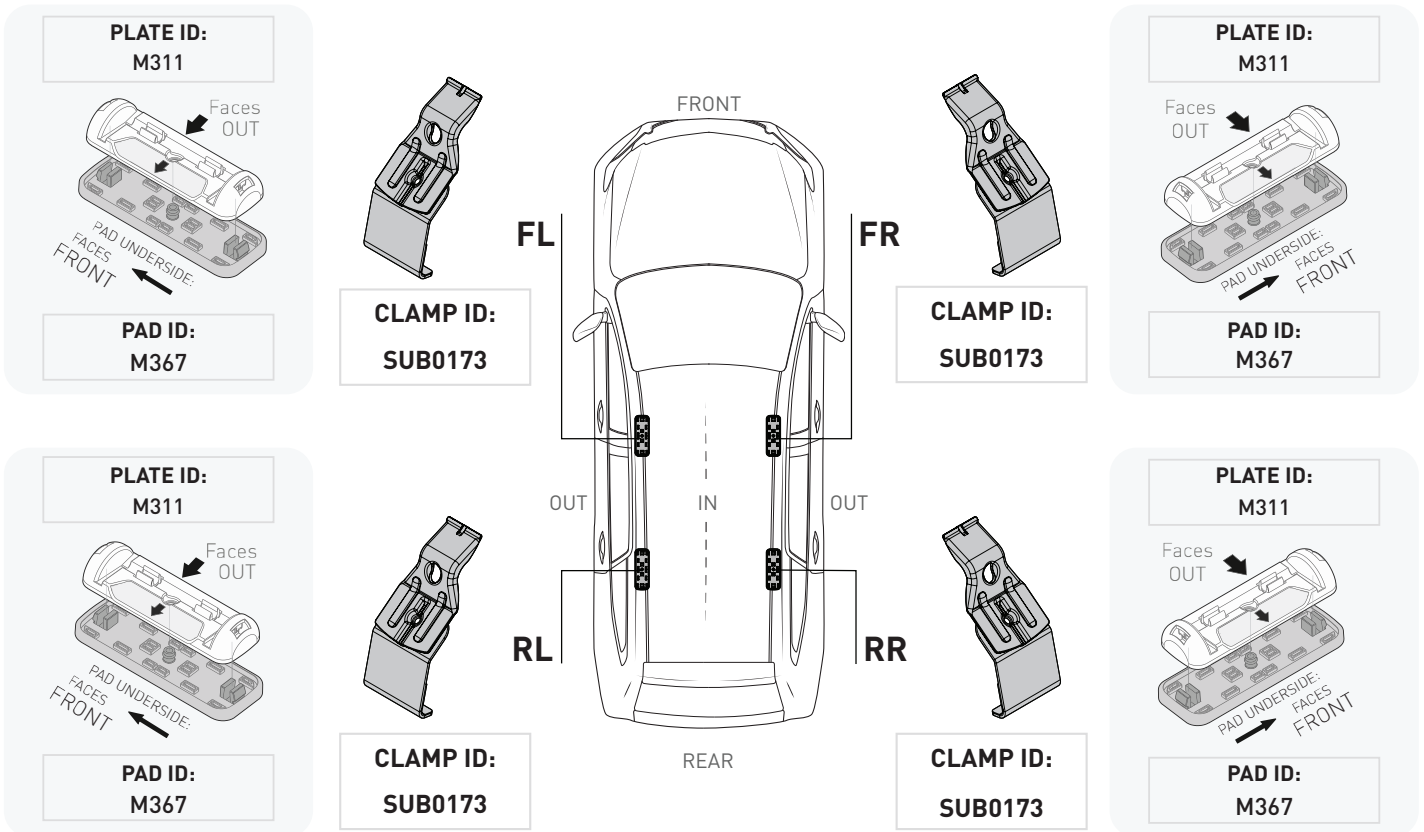
VISIT THE ONLINE CALCULATOR FOR CURRENT SYSTEM LOAD LIMIT DATA



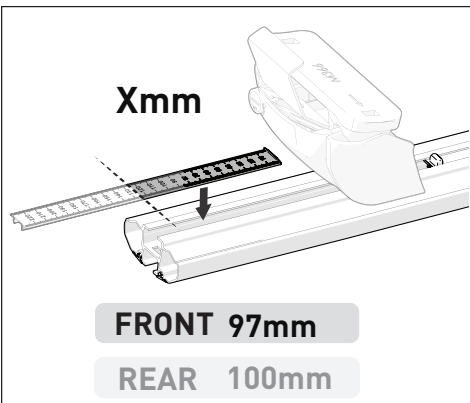
**DYNAMIC ROAD LOAD LIMIT (NOTE: DIFFERENT ON AND OFF ROAD CARGO LIMIT)**  
**\*USE THE VEHICLE MANUFACTURER'S MAXIMUM ROOF ALLOWANCE IF IT IS LOWER THAN THE FIGURE LISTED**

 LOAD LIMIT	 SYSTEM WEIGHT	 ON ROAD CARGO LIMIT	 OFF ROAD CARGO LIMIT (ON ROAD CARGO LIMIT / 2)
UP TO <b>50 kg *</b> <b>110 lb</b>	<b>— 5 kg</b> <b>11lb</b>	<b>= UP TO 45 kg</b> <b>99 lb</b>	<b>OR</b> <b>UP TO 23 kg</b> <b>50 lb</b>

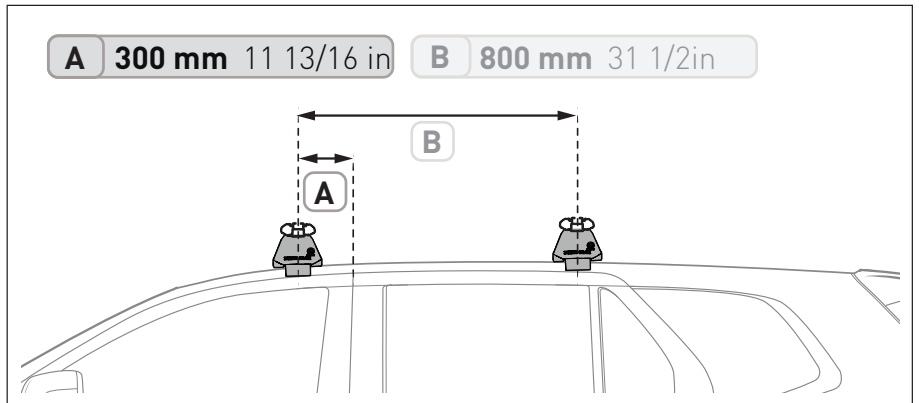
### PAD AND CLAMP DETAILS



### MEASUREMENT STRIPS



### VEHICLE POSITIONING



### NOTES FOR DEALERS / FITTERS

It is your responsibility to ensure these fitting instructions are given to the end user or client.

Document No: R4369  
 Issue No: 1  
 Issue Date: 18-Dec-24