



VEHICLE	KIT	CROSSBAR
Audi S4 (B8) 4dr sedan	DK208	SZ118
RUNNING DATES	09-	
VEHICLE NOTES		

VISIT THE ONLINE CALCULATOR FOR CURRENT SYSTEM LOAD LIMIT DATA



DYNAMIC ROAD LOAD LIMIT (NOTE: DIFFERENT ON AND OFF ROAD CARGO LIMIT)
***USE THE VEHICLE MANUFACTURER'S MAXIMUM ROOF ALLOWANCE IF IT IS LOWER THAN THE FIGURE LISTED**

 LOAD LIMIT	 SYSTEM WEIGHT	 ON ROAD CARGO LIMIT	 OFF ROAD CARGO LIMIT (ON ROAD CARGO LIMIT / 2)
UP TO 75 kg * 165 lb	— 5 kg 11lb	= UP TO 70 kg 154 lb	OR UP TO 35 kg 77 lb

PAD AND CLAMP DETAILS

PLATE ID: M311

PAD ID: M505

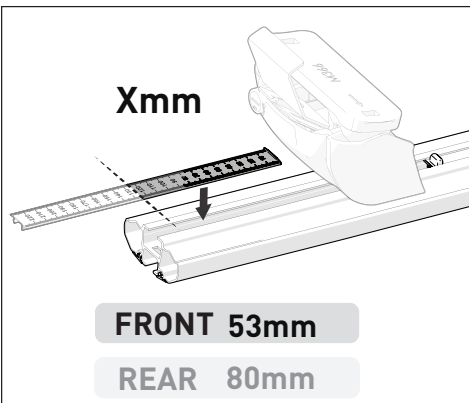
CLAMP ID: SUB0145

PLATE ID: M311

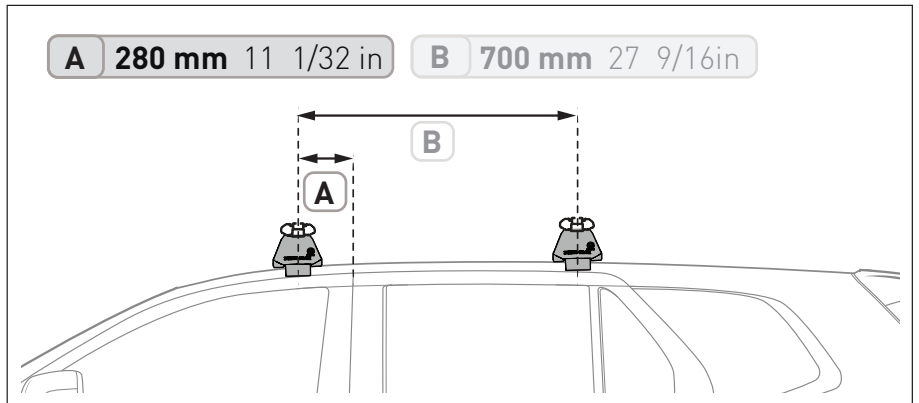
PAD ID: M506

CLAMP ID: SUB0256

MEASUREMENT STRIPS



VEHICLE POSITIONING



NOTES FOR DEALERS / FITTERS

It is your responsibility to ensure these fitting instructions are given to the end user or client.