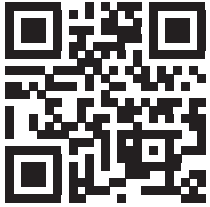




VEHICLE	KIT	CROSSBAR
Ford F250 Crew Cab pickup	DK190	SZ150
RUNNING DATES	2008 on	
VEHICLE NOTES		

VISIT THE ONLINE CALCULATOR FOR CURRENT SYSTEM LOAD LIMIT DATA

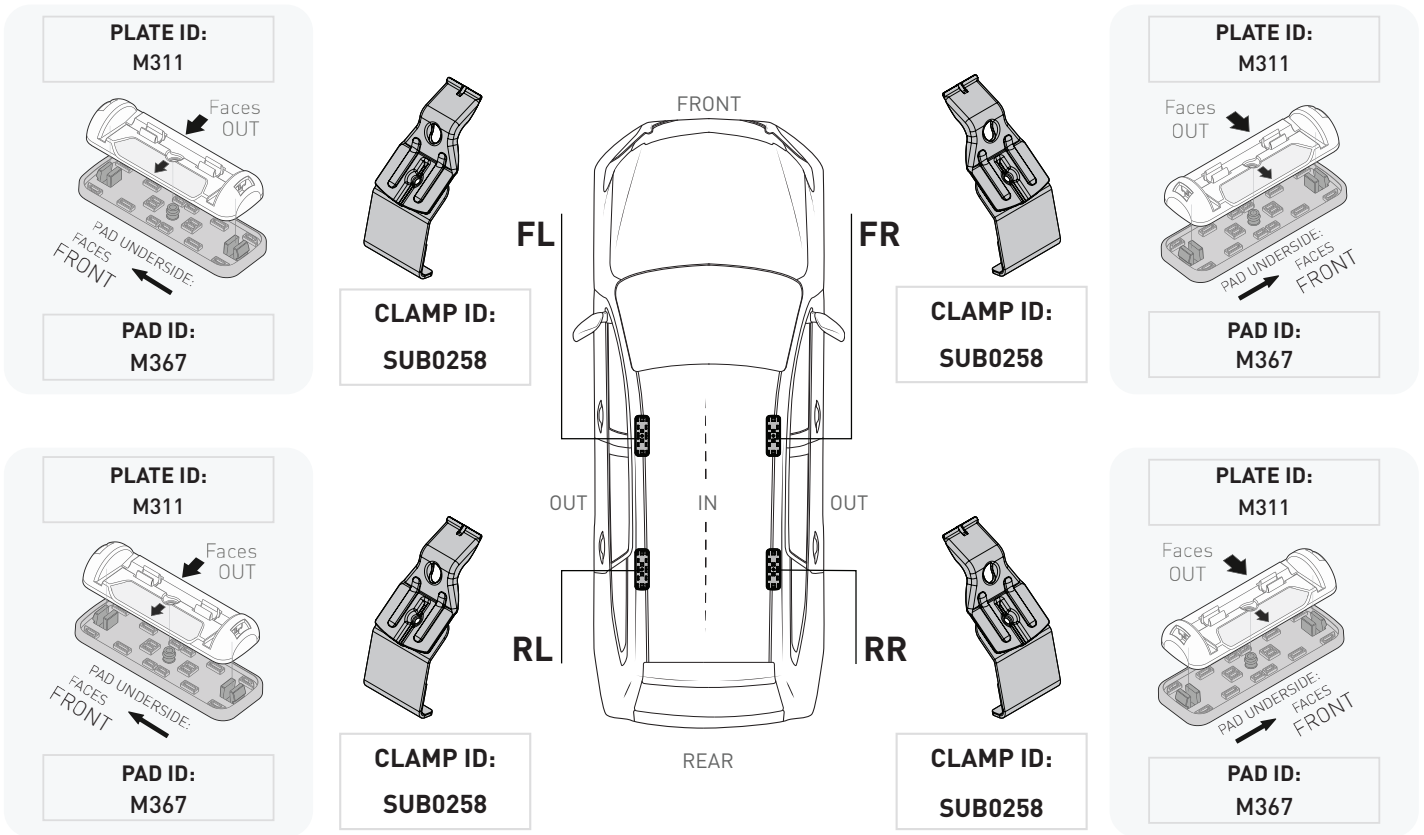


DYNAMIC ROAD LOAD LIMIT (NOTE: DIFFERENT ON AND OFF ROAD CARGO LIMIT)
***USE THE VEHICLE MANUFACTURER'S MAXIMUM ROOF ALLOWANCE IF IT IS LOWER THAN THE FIGURE LISTED**

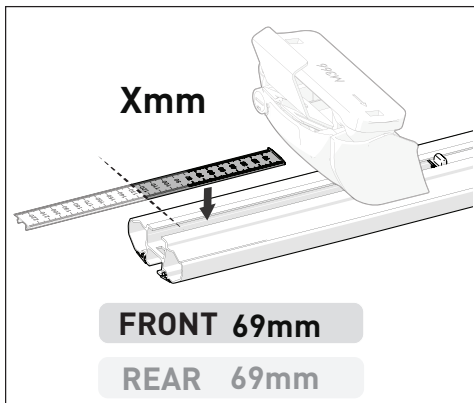
UP TO 75 kg * 165 lb	5 kg 11lb	UP TO 70 kg 154 lb	UP TO 35 kg 77 lb

OR
OFF ROAD CARGO LIMIT (ON ROAD CARGO LIMIT / 2)

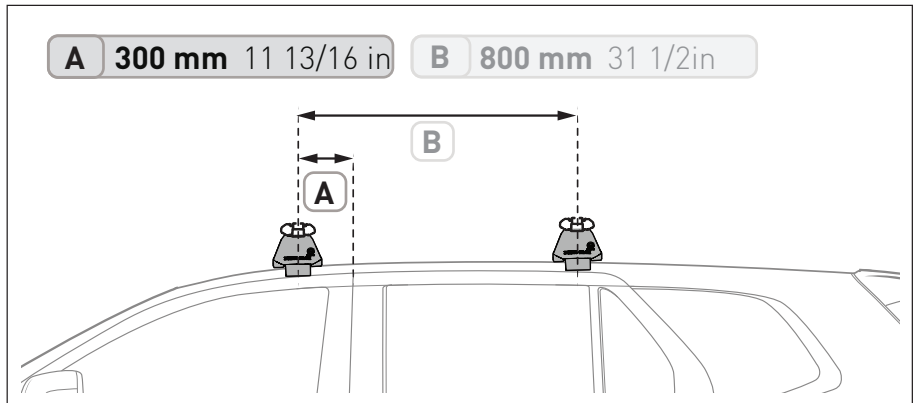
PAD AND CLAMP DETAILS



MEASUREMENT STRIPS



VEHICLE POSITIONING



NOTES FOR DEALERS / FITTERS

It is your responsibility to ensure these fitting instructions are given to the end user or client.

Document No: R4347
 Issue No: 1
 Issue Date: 18-Dec-24