

VEHICLE	KIT	CROSSBAR
Toyota Tacoma 3rd Gen Double Cab	DK174	SZ137
<b>RUNNING DATES</b>	16-	
<b>VEHICLE NOTES</b>	(Caution: Sunroof may contact roof racks)	

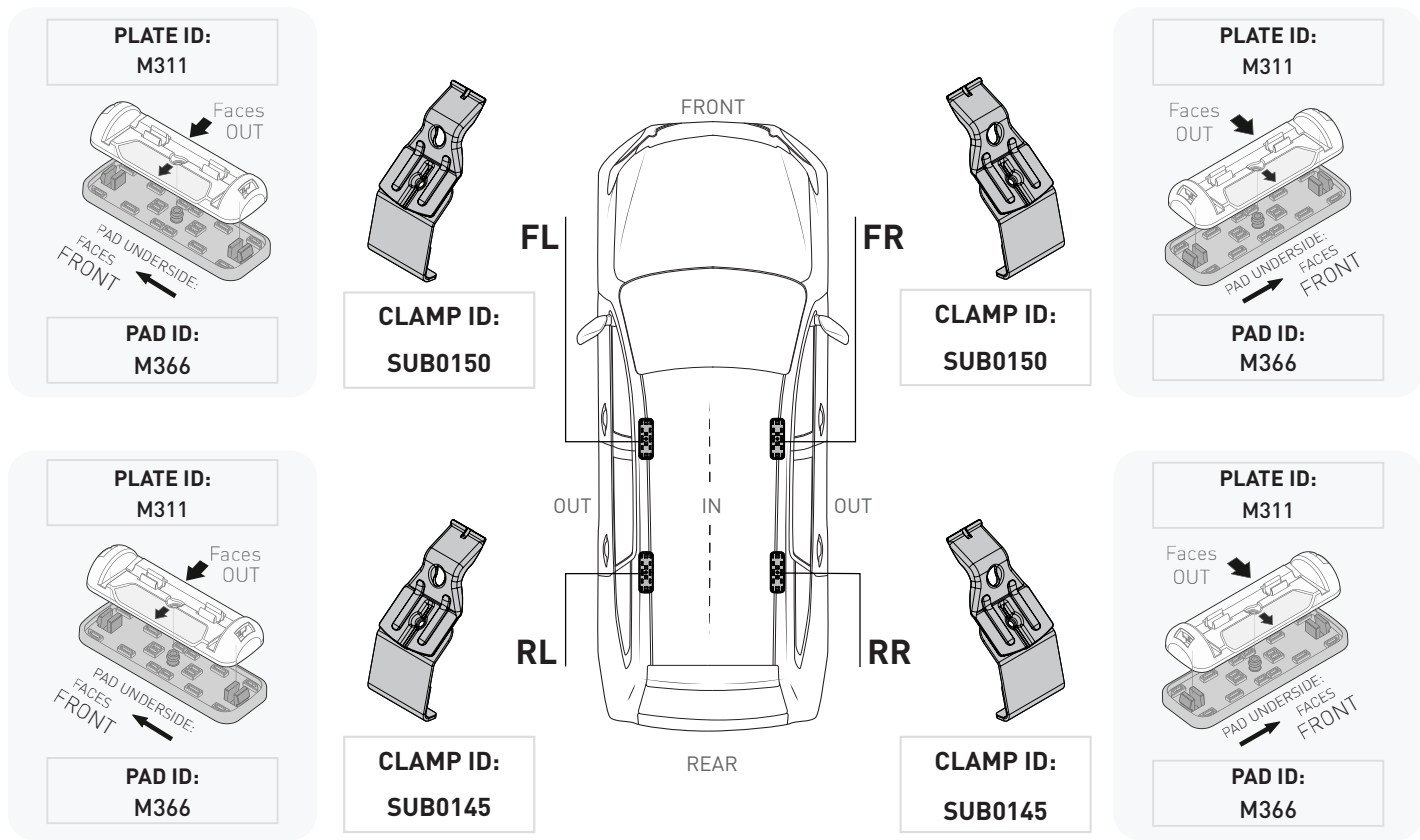
VISIT THE ONLINE CALCULATOR FOR CURRENT SYSTEM LOAD LIMIT DATA



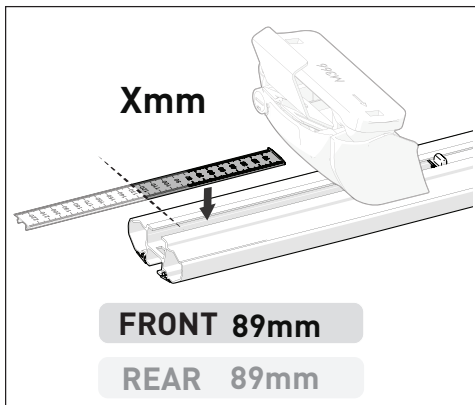
**DYNAMIC ROAD LOAD LIMIT** (NOTE: DIFFERENT ON AND OFF ROAD CARGO LIMIT)  
**\*USE THE VEHICLE MANUFACTURER'S MAXIMUM ROOF ALLOWANCE IF IT IS LOWER THAN THE FIGURE LISTED**

 LOAD LIMIT UP TO <b>75 kg *</b> <b>165 lb</b>	 SYSTEM WEIGHT — <b>5 kg</b> <b>11lb</b>	 ON ROAD CARGO LIMIT UP TO <b>70 kg</b> <b>154 lb</b>	<b>OR</b>  OFF ROAD CARGO LIMIT (ON ROAD CARGO LIMIT / 2) UP TO <b>47 kg</b> <b>103 lb</b>
---	---	--	---

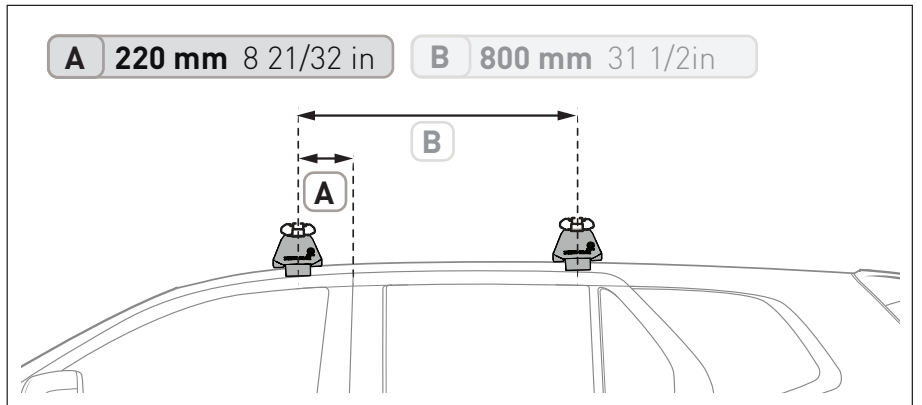
**PAD AND CLAMP DETAILS**



**MEASUREMENT STRIPS**



**VEHICLE POSITIONING**



**NOTES FOR DEALERS / FITTERS**

It is your responsibility to ensure these fitting instructions are given to the end user or client.