

| VEHICLE               | KIT                         | CROSSBAR |
|-----------------------|-----------------------------|----------|
| Ford F-150 super crew | DK150                       | SZ150    |
| <b>RUNNING DATES</b>  | 09-                         |          |
| <b>VEHICLE NOTES</b>  | See Page 2 for instructions |          |

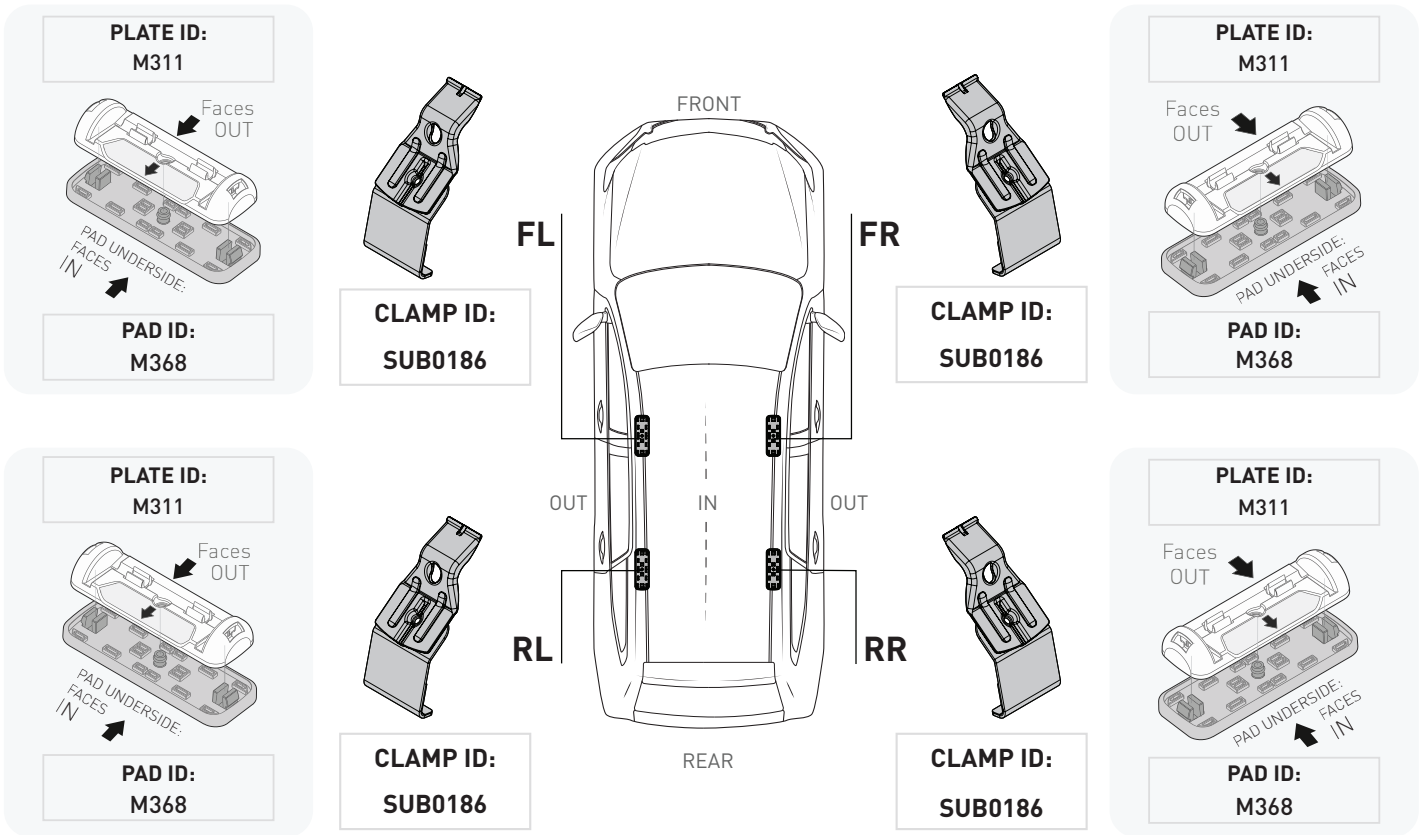
VISIT THE ONLINE CALCULATOR FOR CURRENT SYSTEM LOAD LIMIT DATA



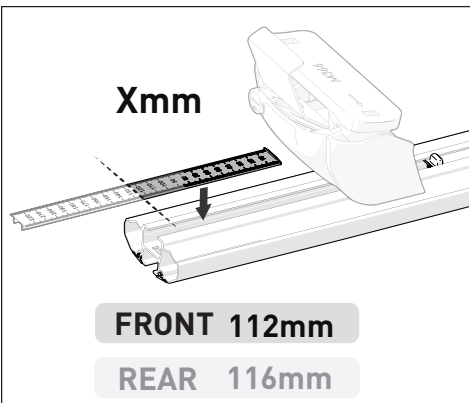
**DYNAMIC ROAD LOAD LIMIT** (NOTE: DIFFERENT ON AND OFF ROAD CARGO LIMIT)  
**\*USE THE VEHICLE MANUFACTURER'S MAXIMUM ROOF ALLOWANCE IF IT IS LOWER THAN THE FIGURE LISTED**

|   |   |  |   |
|---|---|--|---|
| <br>LOAD LIMIT<br>UP TO <b>75 kg *</b><br><b>165 lb</b> | <br>SYSTEM WEIGHT<br>— <b>5 kg</b><br><b>11lb</b> | <br>ON ROAD CARGO LIMIT<br>UP TO <b>70 kg</b><br><b>154 lb</b> | <br>OFF ROAD CARGO LIMIT<br>(ON ROAD CARGO LIMIT / 2)<br>OR<br>UP TO <b>35 kg</b><br><b>77 lb</b> |
|---|---|--|---|

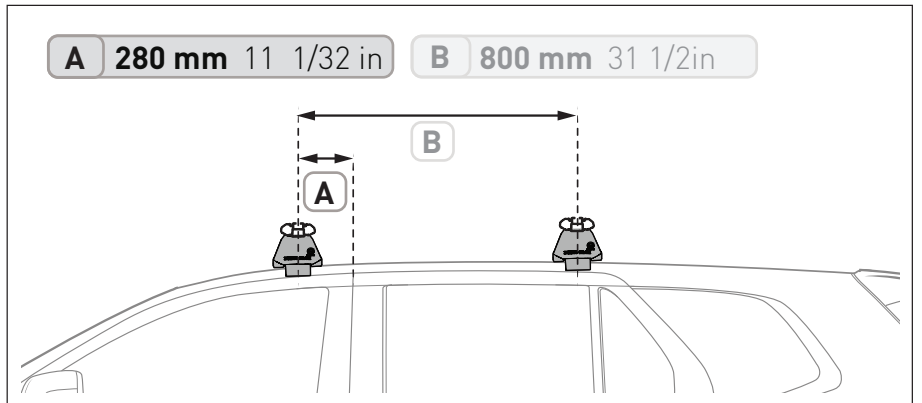
**PAD AND CLAMP DETAILS**



**MEASUREMENT STRIPS**



**VEHICLE POSITIONING**



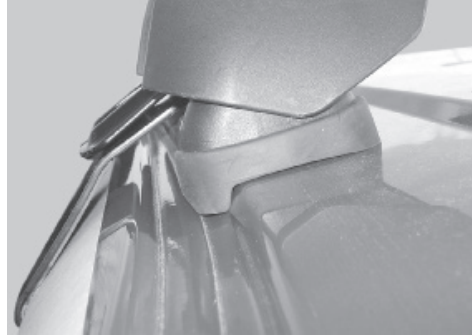
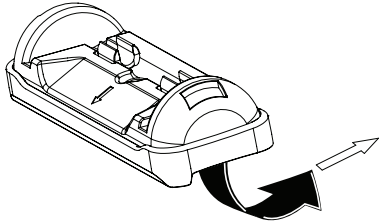
**NOTES FOR DEALERS / FITTERS**

It is your responsibility to ensure these fitting instructions are given to the end user or client.

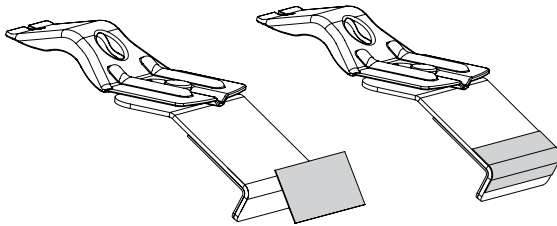


| VEHICLE               |                             | KIT   | CROSSBAR |
|-----------------------|-----------------------------|-------|----------|
| Ford F-150 super crew |                             | DK150 | SZ150    |
| RUNNING DATES         | 09-                         |       |          |
| VEHICLE NOTES         | See Page 2 for instructions |       |          |

Foot Plate ARROW OUT.  
ARROW on underside of  
Pad faces IN.



Stick clear adhesive tape onto  
outside of lower metal strap.



Open door. Pull rubber seal down. Fit clamp.

### NOTES FOR DEALERS / FITTERS

It is your responsibility to ensure these fitting instructions are given to the end user or client.