



| VEHICLE | KIT | CROSSBAR |
|----------------------|-----------------------------|----------|
| Ford F-150 super cab | DK150 | SZ150 |
| RUNNING DATES | 2004 -2008 | |
| VEHICLE NOTES | See Page 2 for instructions | |

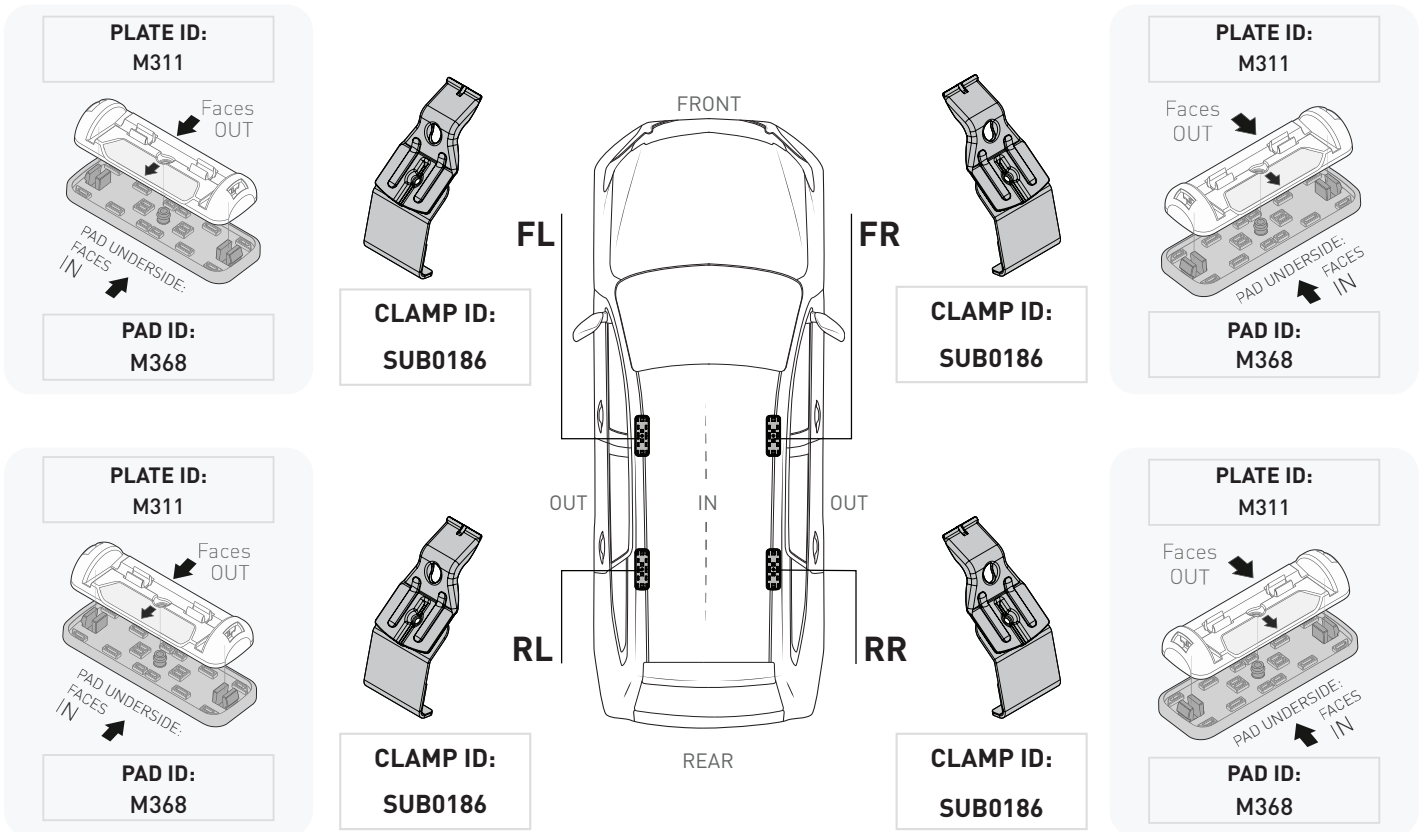
VISIT THE ONLINE CALCULATOR FOR CURRENT SYSTEM LOAD LIMIT DATA



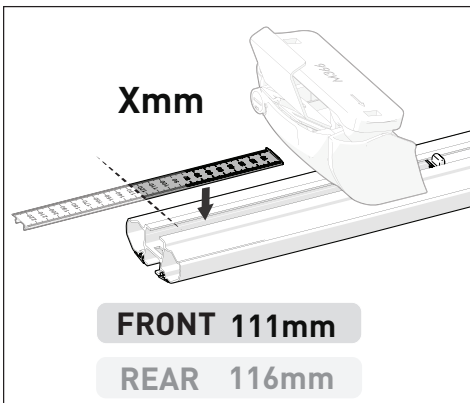
DYNAMIC ROAD LOAD LIMIT (NOTE: DIFFERENT ON AND OFF ROAD CARGO LIMIT)
***USE THE VEHICLE MANUFACTURER'S MAXIMUM ROOF ALLOWANCE IF IT IS LOWER THAN THE FIGURE LISTED**

| | | | | |
|---------------------------------------|------------------------------|---------------------------------------|-----------|---|
| LOAD LIMIT | SYSTEM WEIGHT | ON ROAD CARGO LIMIT | OR | OFF ROAD CARGO LIMIT (ON ROAD CARGO LIMIT / 2) |
| UP TO 75 kg * 165 lb | — 5 kg 11lb | = UP TO 70 kg 154 lb | | UP TO 35 kg 77 lb |

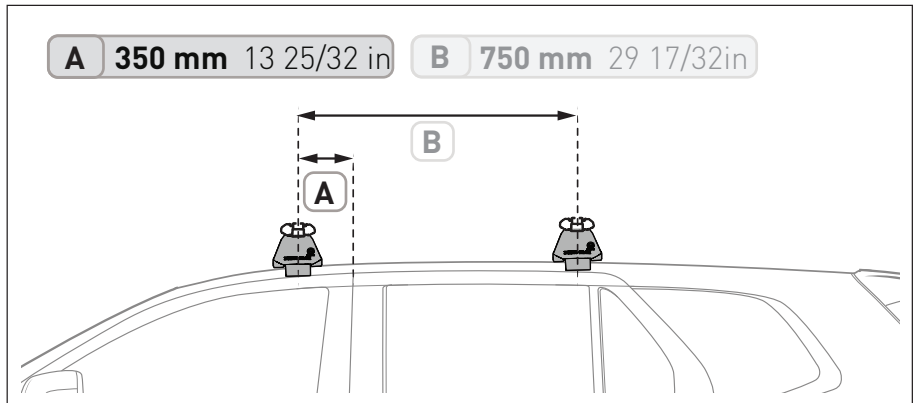
PAD AND CLAMP DETAILS



MEASUREMENT STRIPS



VEHICLE POSITIONING



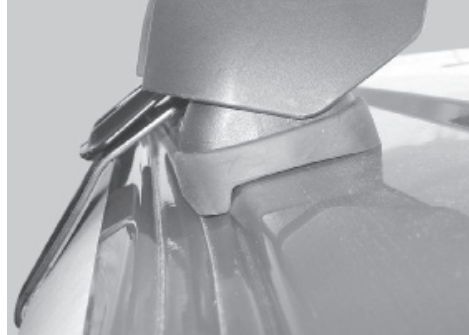
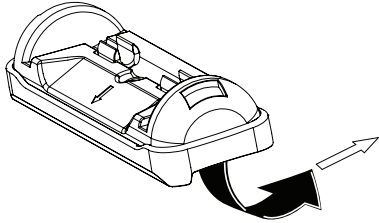
NOTES FOR DEALERS / FITTERS

It is your responsibility to ensure these fitting instructions are given to the end user or client.

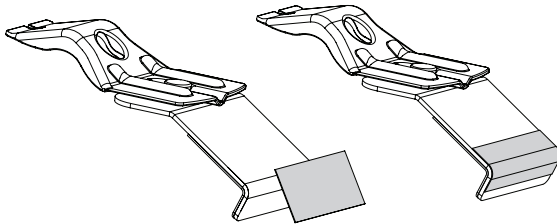


| VEHICLE | KIT | CROSSBAR |
|----------------------|-----------------------------|----------|
| Ford F-150 super cab | DK150 | SZ150 |
| RUNNING DATES | 2004 -2008 | |
| VEHICLE NOTES | See Page 2 for instructions | |

Foot Plate ARROW OUT.
ARROW on underside of
Pad faces IN.



Stick clear adhesive tape onto
outside of lower metal strap.



Open door. Pull rubber seal down. Fit clamp.