



VEHICLE	KIT	CROSSBAR
Hyundai Grandeur TG 4dr Sedan	DK138	SZ126
RUNNING DATES	06 - 11	
VEHICLE NOTES		

VISIT THE ONLINE CALCULATOR FOR CURRENT SYSTEM LOAD LIMIT DATA



DYNAMIC ROAD LOAD LIMIT (NOTE: DIFFERENT ON AND OFF ROAD CARGO LIMIT)
***USE THE VEHICLE MANUFACTURER'S MAXIMUM ROOF ALLOWANCE IF IT IS LOWER THAN THE FIGURE LISTED**

LOAD LIMIT	SYSTEM WEIGHT	ON ROAD CARGO LIMIT	OFF ROAD CARGO LIMIT (ON ROAD CARGO LIMIT / 2)
UP TO 50 kg * 110 lb	5 kg 11lb	UP TO 45 kg 99 lb	UP TO 23 kg 50 lb

OR

PAD AND CLAMP DETAILS

PLATE ID: M311

PAD ID: M368

CLAMP ID: SUB0151

PLATE ID: M311

PAD ID: M368

CLAMP ID: SUB0151

PLATE ID: M311

PAD ID: M368

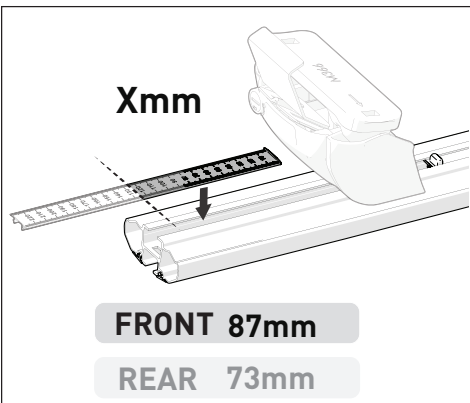
CLAMP ID: SUB0151

PLATE ID: M311

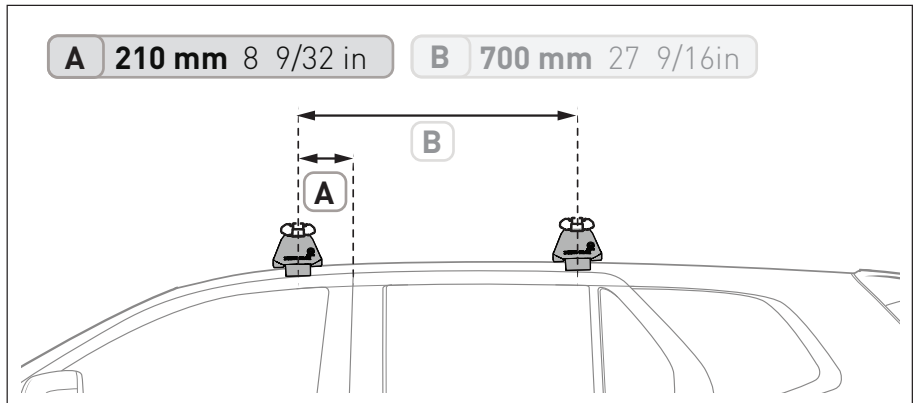
PAD ID: M368

CLAMP ID: SUB0151

MEASUREMENT STRIPS



VEHICLE POSITIONING



NOTES FOR DEALERS / FITTERS

It is your responsibility to ensure these fitting instructions are given to the end user or client.

Document No: R4308
 Issue No: 1
 Issue Date: 08-Jan-25