



VEHICLE	KIT	CROSSBAR
Holden Rodeo Single Cab RA	DK131H	SZ126
<b>RUNNING DATES</b>	03-08	
<b>VEHICLE NOTES</b>	See Page 2 for instructions	

VISIT THE ONLINE CALCULATOR FOR CURRENT SYSTEM LOAD LIMIT DATA

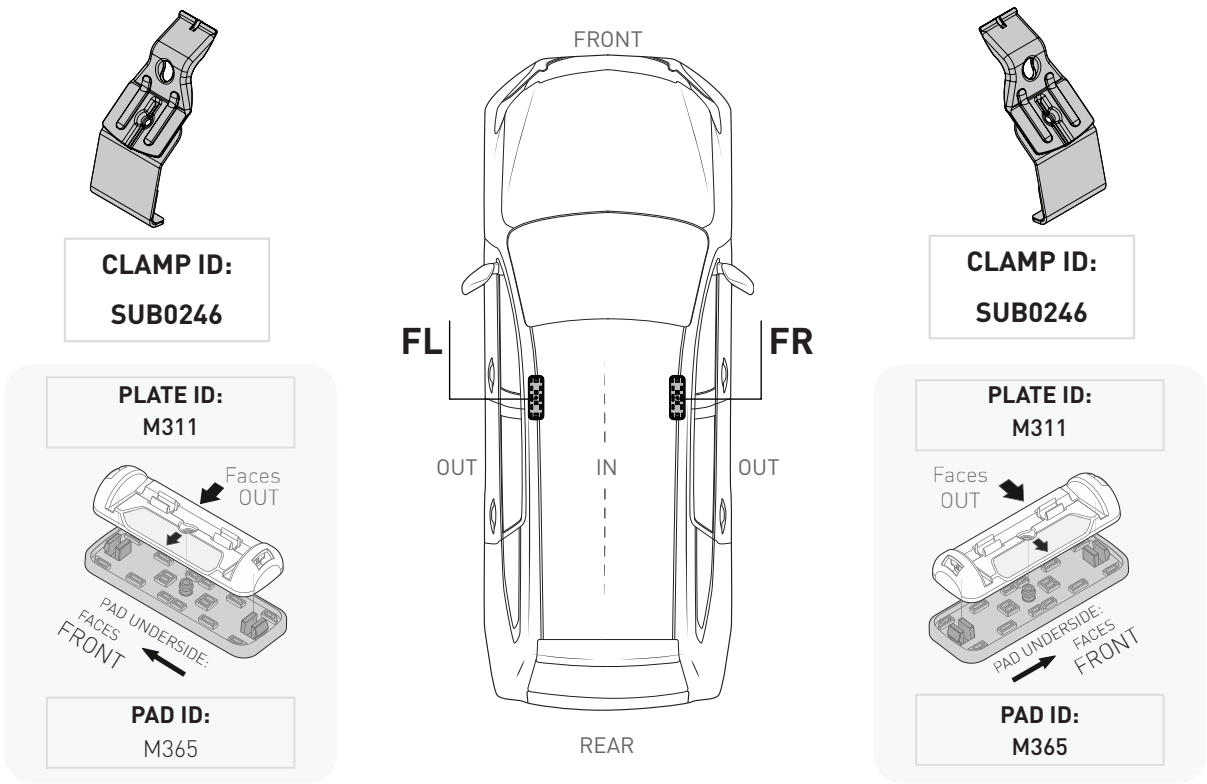


**DYNAMIC ROAD LOAD LIMIT** (NOTE: DIFFERENT ON AND OFF ROAD CARGO LIMIT)  
**\*USE THE VEHICLE MANUFACTURER'S MAXIMUM ROOF ALLOWANCE IF IT IS LOWER THAN THE FIGURE LISTED**

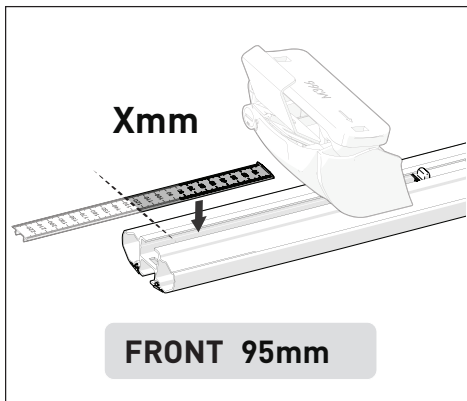
 LOAD LIMIT	 SYSTEM WEIGHT	 ON ROAD CARGO LIMIT	 OFF ROAD CARGO LIMIT (ON ROAD CARGO LIMIT / 2)
UP TO <b>30 kg</b> * <b>66 lb</b>	<b>− 2.5 kg</b> <b>6 lb</b>	UP TO <b>27.5 kg</b> <b>61 lb</b>	UP TO <b>14 kg</b> <b>30 lb</b>

**OR**

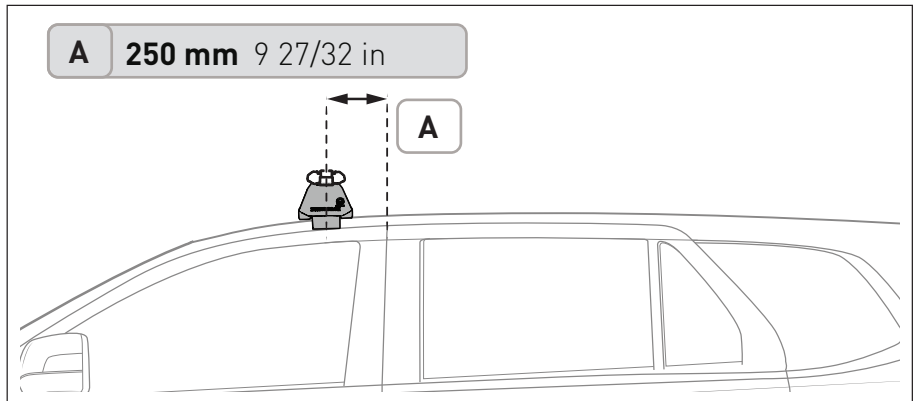
### PAD AND CLAMP DETAILS



### MEASUREMENT STRIPS



### VEHICLE POSITIONING



### NOTES FOR DEALERS / FITTERS

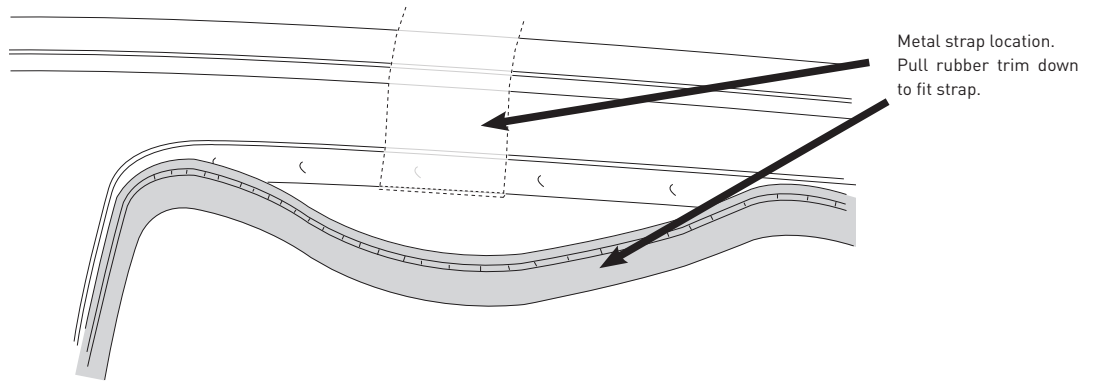
It is your responsibility to ensure these fitting instructions are given to the end user or client.



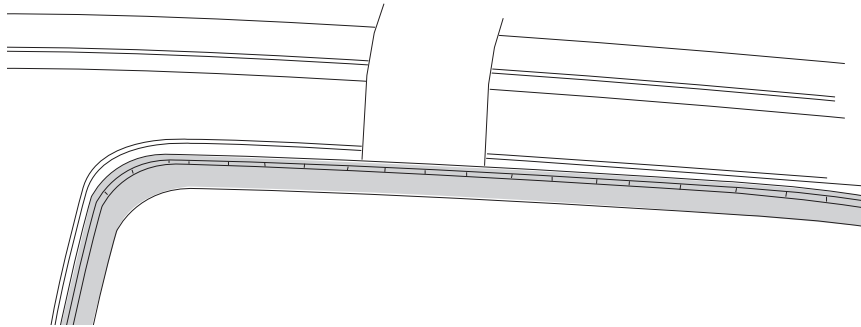
VEHICLE	KIT	CROSSBAR
Holden Rodeo Single Cab RA	DK131H	SZ126
RUNNING DATES	03-08	
VEHICLE NOTES	See Page 2 for instructions	

### DOOR SEAL INSTRUCTIONS

- 1** Open doors. Pull front and rear rubber door seal down to fit metal strap.



- 2** Re-fit the rubber strip over metal strap.



### NOTES FOR DEALERS / FITTERS

It is your responsibility to ensure these fitting instructions are given to the end user or client.