

VEHICLE	KIT	CROSSBAR
Isuzu D-MAX Space Cab	DK131H	SZ126
<b>RUNNING DATES</b>	08-12	
<b>VEHICLE NOTES</b>	See Page 2 for instructions	

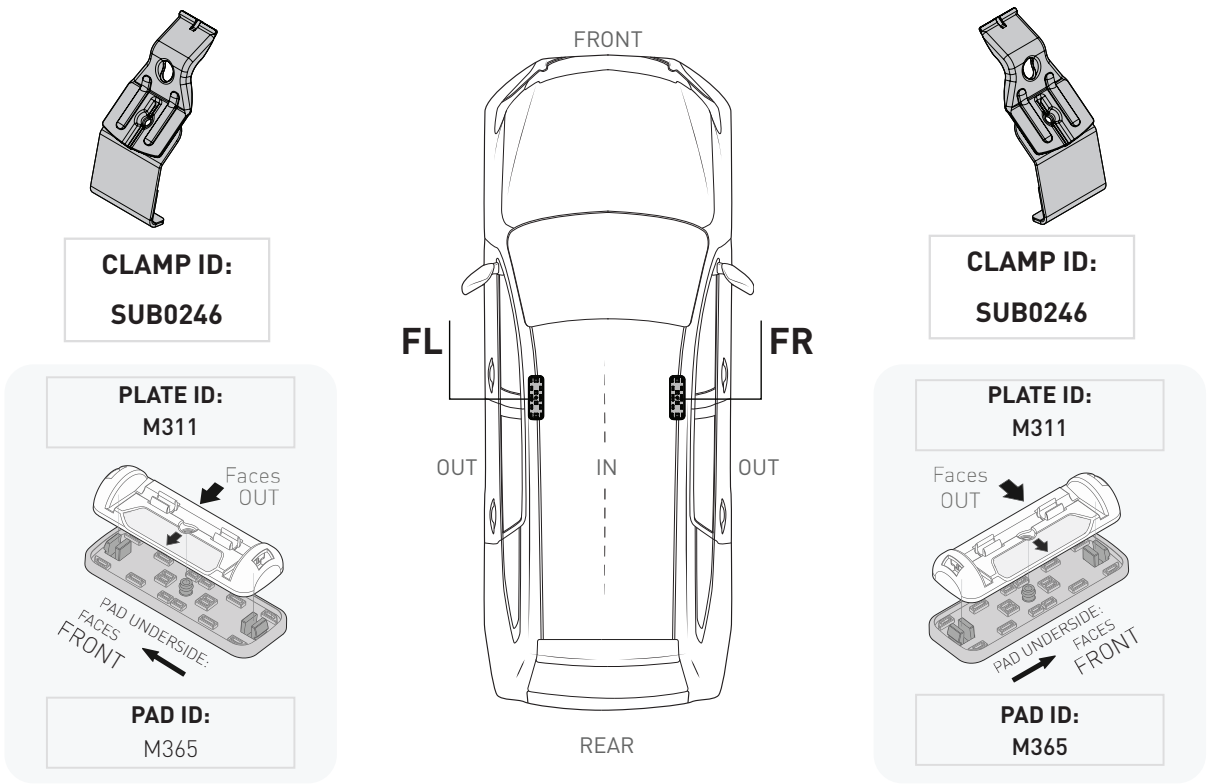
VISIT THE ONLINE CALCULATOR FOR CURRENT SYSTEM LOAD LIMIT DATA



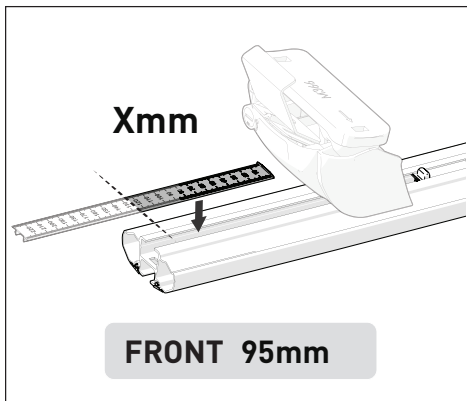
**DYNAMIC ROAD LOAD LIMIT** (NOTE: DIFFERENT ON AND OFF ROAD CARGO LIMIT)  
**\*USE THE VEHICLE MANUFACTURER'S MAXIMUM ROOF ALLOWANCE IF IT IS LOWER THAN THE FIGURE LISTED**

 LOAD LIMIT	 SYSTEM WEIGHT	 ON ROAD CARGO LIMIT	 OFF ROAD CARGO LIMIT (ON ROAD CARGO LIMIT / 2)
UP TO <b>30 kg</b> * <b>66 lb</b>	<b>− 2.5 kg</b> <b>6 lb</b>	UP TO <b>27.5 kg</b> <b>61 lb</b>	UP TO <b>13.7 kg</b> <b>30 lb</b>

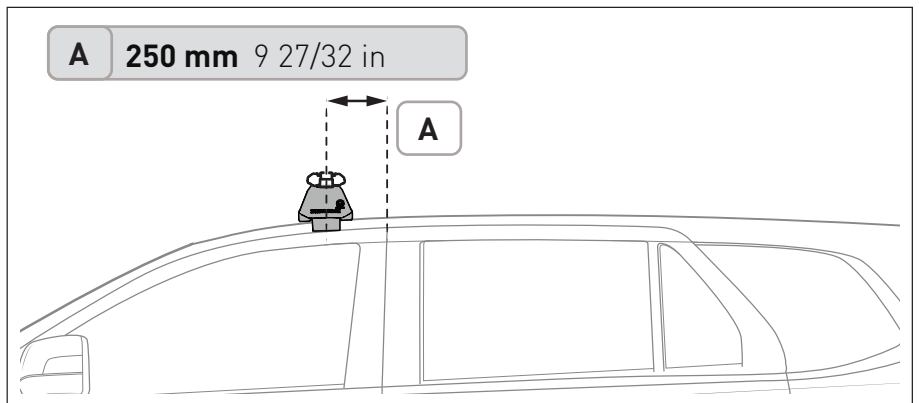
**PAD AND CLAMP DETAILS**



**MEASUREMENT STRIPS**



**VEHICLE POSITIONING**



**NOTES FOR DEALERS / FITTERS**

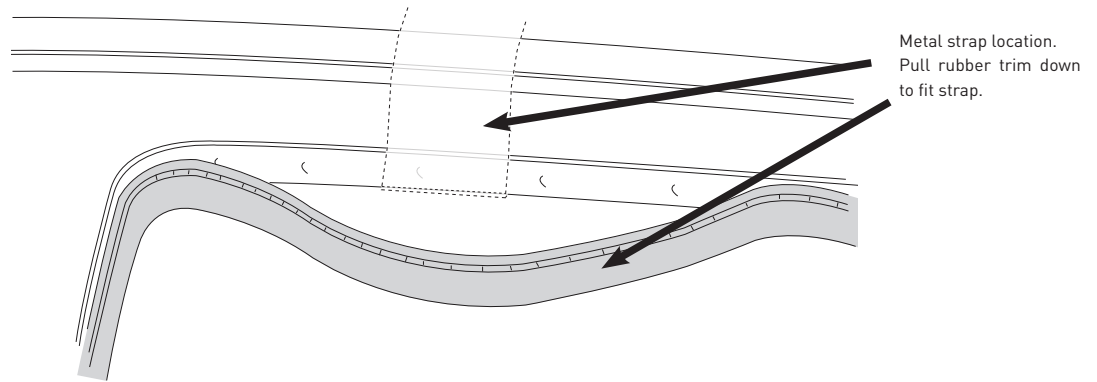
It is your responsibility to ensure these fitting instructions are given to the end user or client.



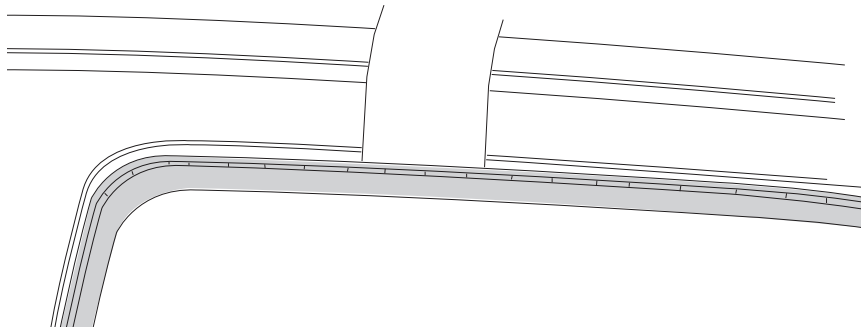
VEHICLE	KIT	CROSSBAR
Isuzu D-MAX Space Cab	DK131H	SZ126
RUNNING DATES	08-12	
VEHICLE NOTES	See Page 2 for instructions	

### DOOR SEAL INSTRUCTIONS

- 1** Open doors. Pull front and rear rubber door seal down to fit metal strap.



- 2** Re-fit the rubber strip over metal strap.



### NOTES FOR DEALERS / FITTERS

It is your responsibility to ensure these fitting instructions are given to the end user or client.