



VEHICLE	KIT	CROSSBAR
Mitsubishi Lancer Sport-back (CJ) 5dr hatch	DK126	SZ126
<b>RUNNING DATES</b>	10/08-	
<b>VEHICLE NOTES</b>		

VISIT THE ONLINE CALCULATOR FOR CURRENT SYSTEM LOAD LIMIT DATA



**DYNAMIC ROAD LOAD LIMIT** (NOTE: DIFFERENT ON AND OFF ROAD CARGO LIMIT)  
**\*USE THE VEHICLE MANUFACTURER'S MAXIMUM ROOF ALLOWANCE IF IT IS LOWER THAN THE FIGURE LISTED**

 LOAD LIMIT	 SYSTEM WEIGHT	 ON ROAD CARGO LIMIT	 OFF ROAD CARGO LIMIT (ON ROAD CARGO LIMIT / 2)
UP TO <b>50 kg *</b> <b>110 lb</b>	<b>− 5 kg</b> <b>11lb</b>	<b>= UP TO 45 kg</b> <b>99 lb</b>	<b>OR UP TO 23 kg</b> <b>50 lb</b>

### PAD AND CLAMP DETAILS

**PLATE ID: M311**

Faces OUT

PAD UNDERSIDE: FACES OUT

**PAD ID: M368**

**CLAMP ID: SUB0176**

**PLATE ID: M311**

Faces OUT

PAD UNDERSIDE: FACES OUT

**PAD ID: M368**

**CLAMP ID: SUB0176**

**PLATE ID: M311**

Faces OUT

PAD UNDERSIDE: FACES FRONT

**PAD ID: M366**

**CLAMP ID: SUB0145**

**PLATE ID: M311**

Faces OUT

PAD UNDERSIDE: FACES FRONT

**PAD ID: M366**

**CLAMP ID: SUB0145**

### MEASUREMENT STRIPS

**Xmm**

**FRONT 79mm**

**REAR 84mm**

### VEHICLE POSITIONING

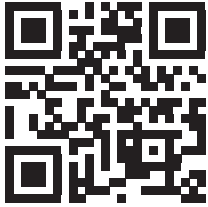
**A 300 mm 11 13/16 in**    **B 690 mm 27 5/32 in**

### NOTES FOR DEALERS / FITTERS

It is your responsibility to ensure these fitting instructions are given to the end user or client.

VEHICLE	KIT	CROSSBAR
Nissan Elgrand E50 Van	DK127	SZ137
<b>RUNNING DATES</b>	97-02	
<b>VEHICLE NOTES</b>		

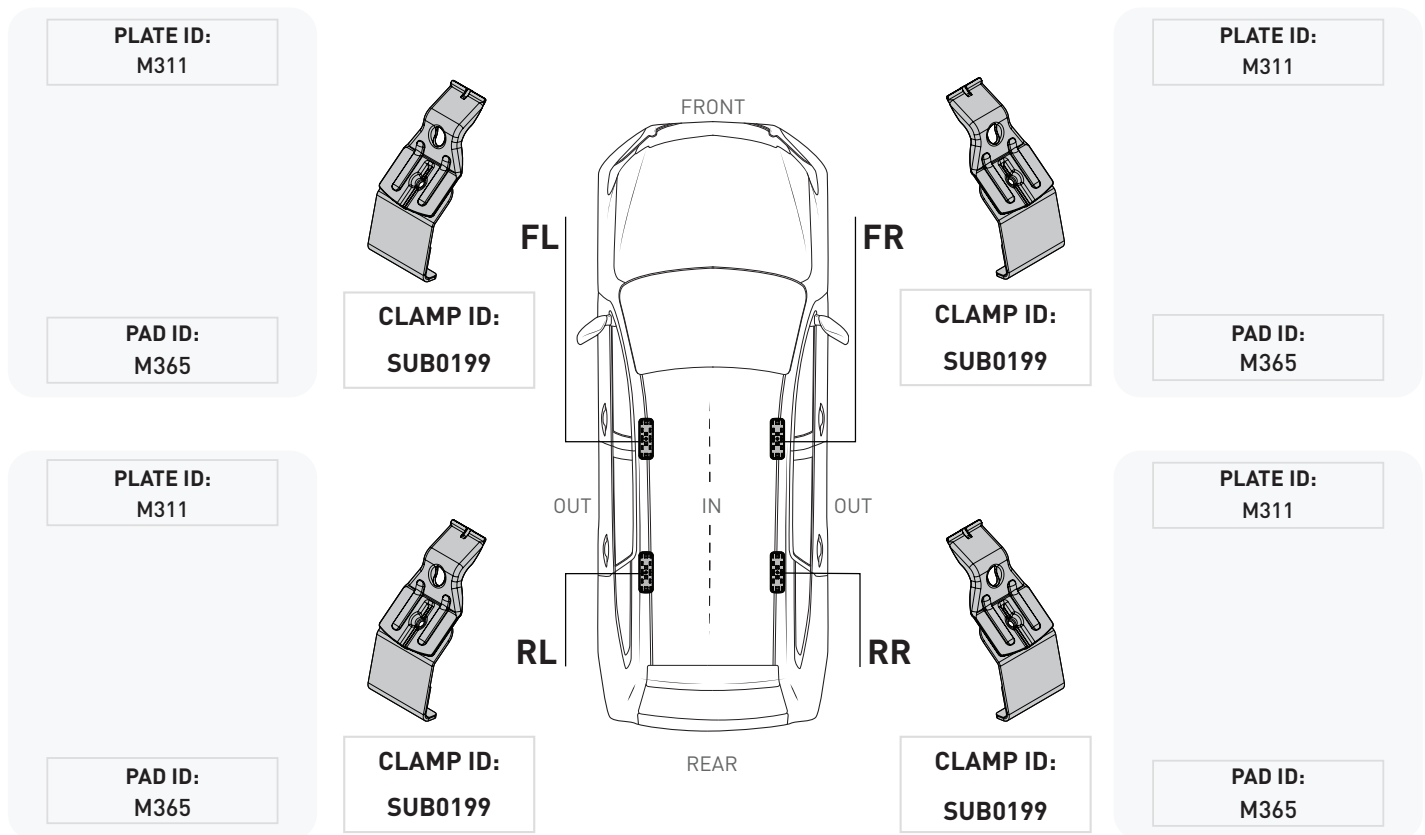
VISIT THE ONLINE CALCULATOR FOR CURRENT SYSTEM LOAD LIMIT DATA



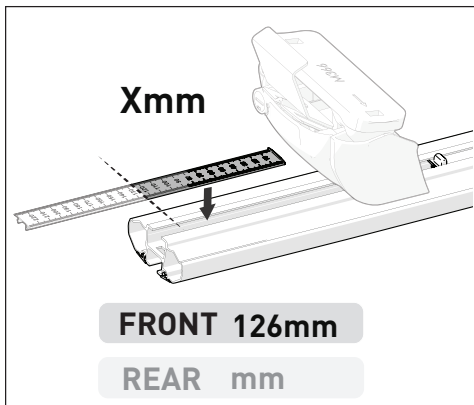
**DYNAMIC ROAD LOAD LIMIT** (NOTE: DIFFERENT ON AND OFF ROAD CARGO LIMIT)  
**\*USE THE VEHICLE MANUFACTURER'S MAXIMUM ROOF ALLOWANCE IF IT IS LOWER THAN THE FIGURE LISTED**

 LOAD LIMIT UP TO <b>75 kg *</b> <b>lb</b>	 SYSTEM WEIGHT — <b>5 kg</b> <b>lb</b>	=	 ON ROAD CARGO LIMIT UP TO <b>70 kg</b> <b>lb</b>	<b>OR</b>	 OFF ROAD CARGO LIMIT (ON ROAD CARGO LIMIT / 2) UP TO <b>35 kg</b> <b>lb</b>
---	---	---	--	-----------	--

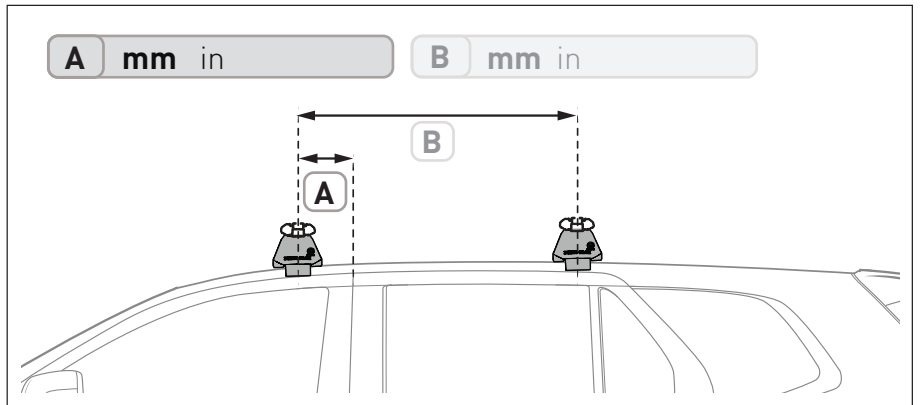
**PAD AND CLAMP DETAILS**



**MEASUREMENT STRIPS**



**VEHICLE POSITIONING**



**NOTES FOR DEALERS / FITTERS**

It is your responsibility to ensure these fitting instructions are given to the end user or client.

Document No:  
Issue No:  
Issue Date:

VEHICLE	KIT	CROSSBAR
995 61		0

**RUNNING DATES**  
**VEHICLE NOTES**

VISIT THE ONLINE CALCULATOR FOR CURRENT SYSTEM LOAD LIMIT DATA



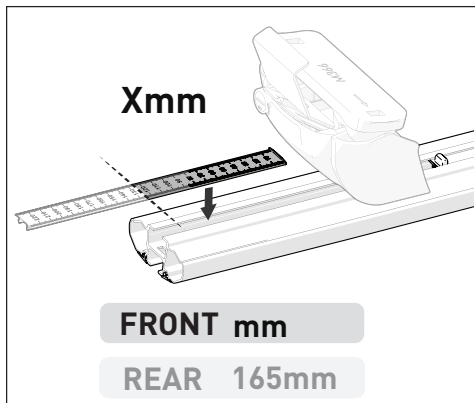
**DYNAMIC ROAD LOAD LIMIT** (NOTE: DIFFERENT ON AND OFF ROAD CARGO LIMIT)  
**\*USE THE VEHICLE MANUFACTURER'S MAXIMUM ROOF ALLOWANCE IF IT IS LOWER THAN THE FIGURE LISTED**

 LOAD LIMIT UP TO <b>kg</b> <b>lb</b> *	 SYSTEM WEIGHT — <b>kg</b> <b>lb</b> =	 ON ROAD CARGO LIMIT UP TO <b>kg</b> <b>lb</b>	 OFF ROAD CARGO LIMIT (ON ROAD CARGO LIMIT / 2) OR UP TO <b>kg</b> <b>lb</b>
--	---	---	---

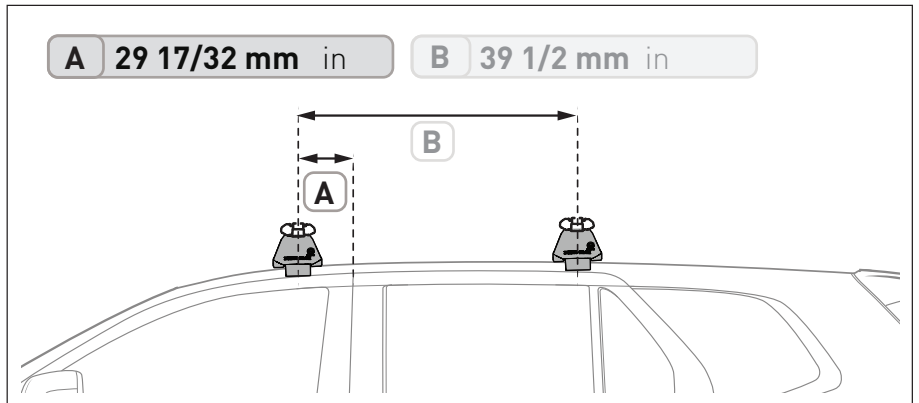
**PAD AND CLAMP DETAILS**

PLATE ID: 18-Dec-24  PAD ID: 0	 <b>CLAMP ID:</b> R4270	 FRONT FL FR IN OUT	PLATE ID:   PAD ID:
PLATE ID: T:\Fitting Instruction  PAD ID:	 <b>CLAMP ID:</b> 1	 REAR RL RR IN OUT	PLATE ID: T:\Fitting Instruction  PAD ID:

**MEASUREMENT STRIPS**



**VEHICLE POSITIONING**



**NOTES FOR DEALERS / FITTERS**

It is your responsibility to ensure these fitting instructions are given to the end user or client.

Document No:  
Issue No:  
Issue Date: