

VEHICLE	KIT	CROSSBAR
Toyota Tundra Double Cab pickup	DK079	SZ150
RUNNING DATES	2007-	
VEHICLE NOTES		

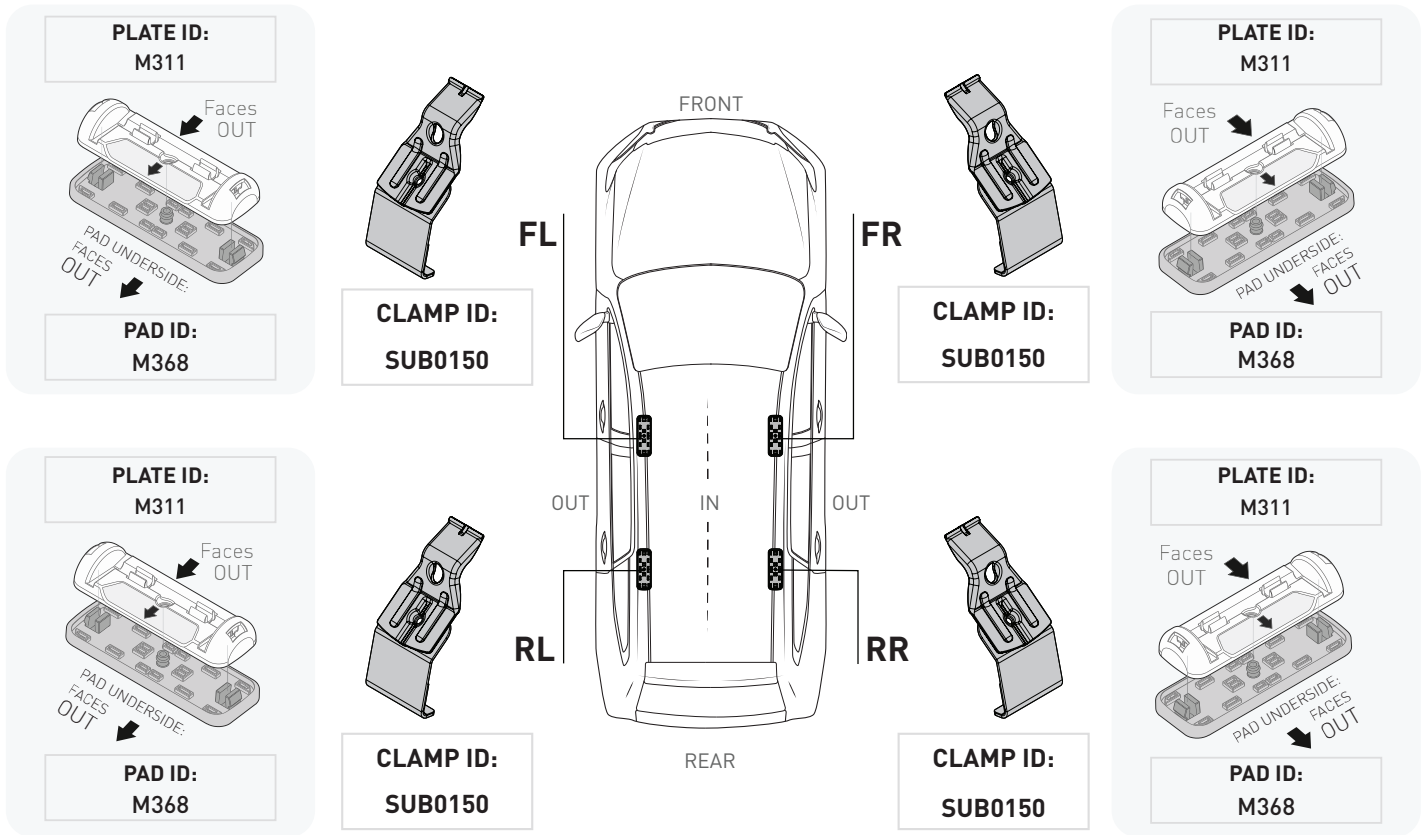
VISIT THE ONLINE CALCULATOR FOR CURRENT SYSTEM LOAD LIMIT DATA



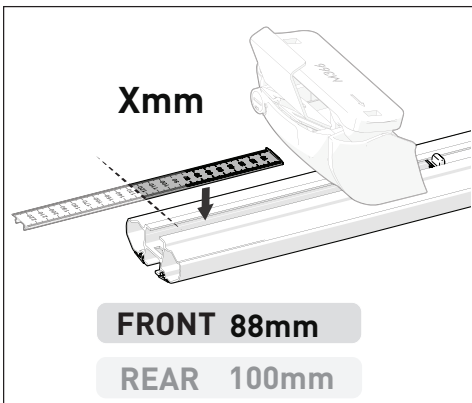
DYNAMIC ROAD LOAD LIMIT (NOTE: DIFFERENT ON AND OFF ROAD CARGO LIMIT)
***USE THE VEHICLE MANUFACTURER'S MAXIMUM ROOF ALLOWANCE IF IT IS LOWER THAN THE FIGURE LISTED**

 LOAD LIMIT UP TO 75 kg * 165 lb	 SYSTEM WEIGHT — 5 kg 11lb	 ON ROAD CARGO LIMIT UP TO 70 kg 154 lb	 OFF ROAD CARGO LIMIT (ON ROAD CARGO LIMIT / 2) OR UP TO 35 kg 77 lb
---	---	--	---

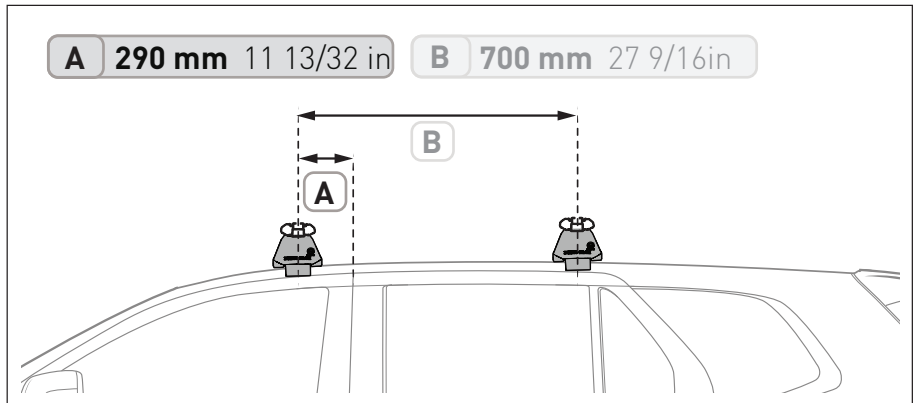
PAD AND CLAMP DETAILS



MEASUREMENT STRIPS



VEHICLE POSITIONING



NOTES FOR DEALERS / FITTERS

It is your responsibility to ensure these fitting instructions are given to the end user or client.