



VEHICLE	KIT	CROSSBAR
Toyota Hilux 2dr single cab (single bar)	DK076	SZ126
RUNNING DATES	11/97- 04/05	
VEHICLE NOTES		

VISIT THE ONLINE CALCULATOR FOR CURRENT SYSTEM LOAD LIMIT DATA

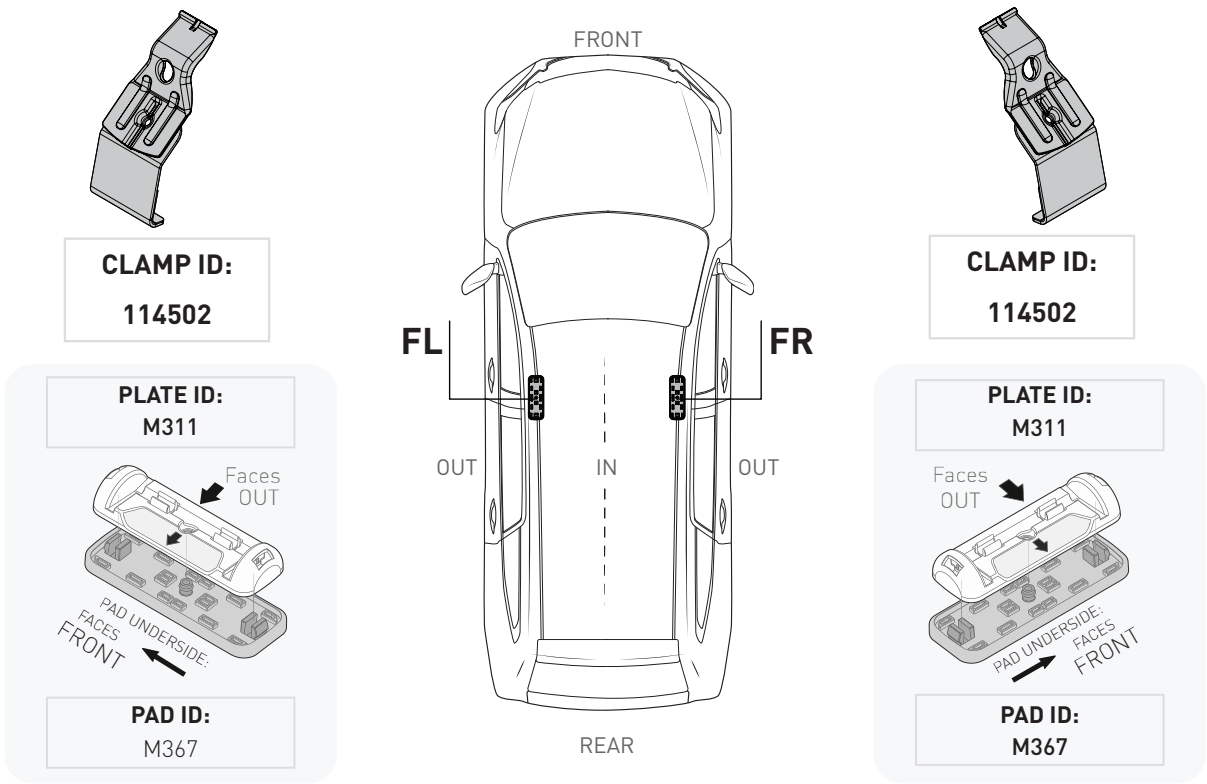


DYNAMIC ROAD LOAD LIMIT (NOTE: DIFFERENT ON AND OFF ROAD CARGO LIMIT)
***USE THE VEHICLE MANUFACTURER'S MAXIMUM ROOF ALLOWANCE IF IT IS LOWER THAN THE FIGURE LISTED**

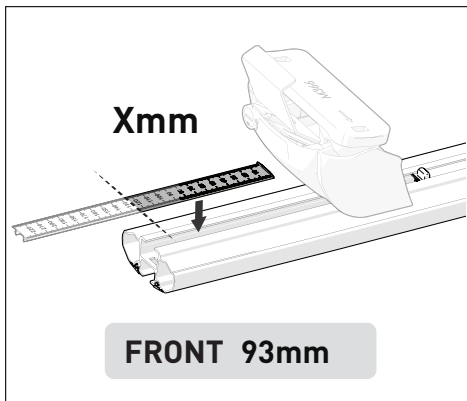
 LOAD LIMIT UP TO 35 kg * 77 lb	 SYSTEM WEIGHT 2.5 kg 6 lb	 ON ROAD CARGO LIMIT UP TO 32.5 kg 72 lb	 OFF ROAD CARGO LIMIT (ON ROAD CARGO LIMIT / 2) UP TO 16 kg 36 lb
--	---	---	---

OR

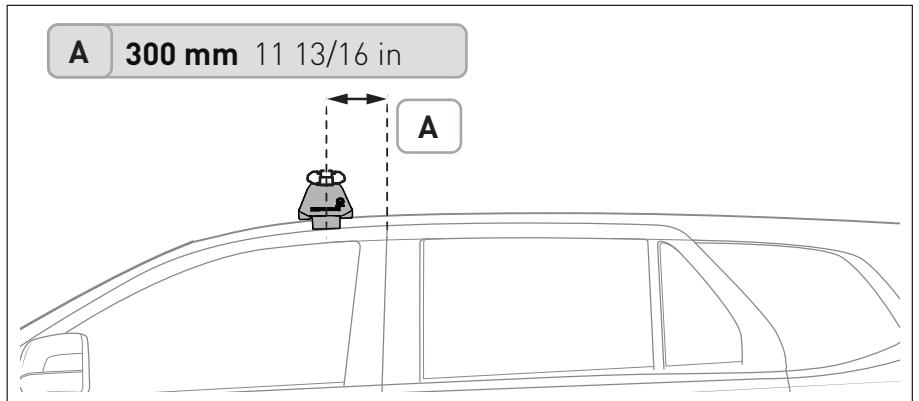
PAD AND CLAMP DETAILS



MEASUREMENT STRIPS



VEHICLE POSITIONING



NOTES FOR DEALERS / FITTERS

It is your responsibility to ensure these fitting instructions are given to the end user or client.