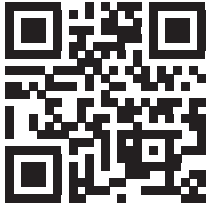




| VEHICLE              | KIT     | CROSSBAR |
|----------------------|---------|----------|
| Audi A3 5dr hatch    | DK046   | SZ118    |
| <b>RUNNING DATES</b> | 04 - 12 |          |
| <b>VEHICLE NOTES</b> |         |          |

VISIT THE ONLINE CALCULATOR FOR CURRENT SYSTEM LOAD LIMIT DATA



**DYNAMIC ROAD LOAD LIMIT** (NOTE: DIFFERENT ON AND OFF ROAD CARGO LIMIT)  
**\*USE THE VEHICLE MANUFACTURER'S MAXIMUM ROOF ALLOWANCE IF IT IS LOWER THAN THE FIGURE LISTED**

|                                       |                            |                                     |   |
|---------------------------------------|----------------------------|-------------------------------------|---|
|                                       |                            |                                     |   |
| LOAD LIMIT                            | SYSTEM WEIGHT              | ON ROAD CARGO LIMIT                 | OFF ROAD CARGO LIMIT<br>(ON ROAD CARGO LIMIT / 2) |
| UP TO <b>75 kg *</b><br><b>165 lb</b> | <b>5 kg</b><br><b>11lb</b> | UP TO <b>70 kg</b><br><b>154 lb</b> | UP TO <b>35 kg</b><br><b>77 lb</b>                |

**OR**

### PAD AND CLAMP DETAILS

**PLATE ID:**  
M311

**PAD ID:**  
M366

**CLAMP ID:**  
SUB0144

**PLATE ID:**  
M311

**PAD ID:**  
M366

**PLATE ID:**  
M311

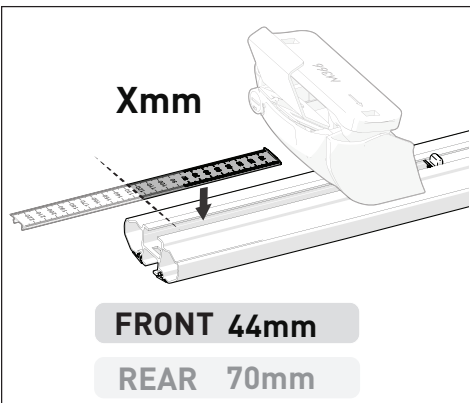
**PAD ID:**  
M366

**CLAMP ID:**  
SUB0144

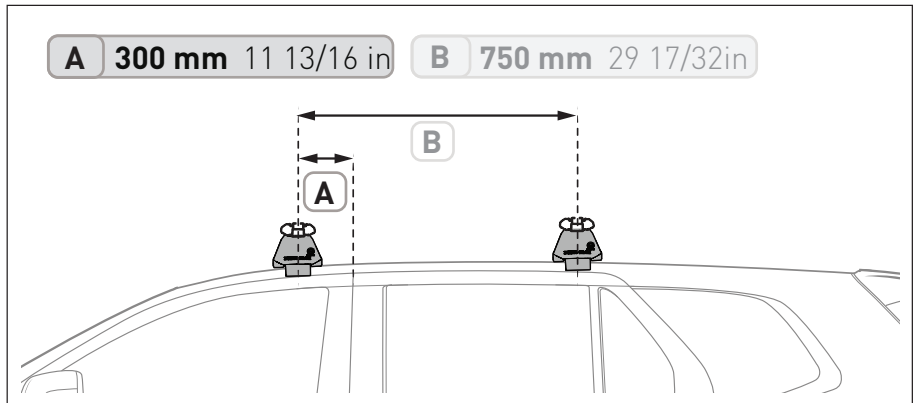
**PLATE ID:**  
M311

**PAD ID:**  
M366

### MEASUREMENT STRIPS



### VEHICLE POSITIONING



### NOTES FOR DEALERS / FITTERS

It is your responsibility to ensure these fitting instructions are given to the end user or client.