



VEHICLE	KIT	CROSSBAR
Subaru Impreza 5dr Hatch	DK030	SZ118
RUNNING DATES	07-11	
VEHICLE NOTES		

VISIT THE ONLINE CALCULATOR FOR CURRENT SYSTEM LOAD LIMIT DATA



DYNAMIC ROAD LOAD LIMIT (NOTE: DIFFERENT ON AND OFF ROAD CARGO LIMIT)
***USE THE VEHICLE MANUFACTURER'S MAXIMUM ROOF ALLOWANCE IF IT IS LOWER THAN THE FIGURE LISTED**

LOAD LIMIT	SYSTEM WEIGHT	ON ROAD CARGO LIMIT	OFF ROAD CARGO LIMIT (ON ROAD CARGO LIMIT / 2)
UP TO 75 kg * 165 lb	5 kg 11lb	UP TO 70 kg 154 lb	UP TO 35 kg 77 lb

OR

PAD AND CLAMP DETAILS

PLATE ID: M311

Faces OUT

PAD UNDERSIDE: FACES OUT

PAD ID: M368

CLAMP ID: SUB0148

PLATE ID: M311

Faces OUT

PAD UNDERSIDE: FACES OUT

PAD ID: M368

CLAMP ID: SUB0148

PLATE ID: M311

Faces OUT

PAD UNDERSIDE: FACES FRONT

PAD ID: M366

CLAMP ID: SUB0148

PLATE ID: M311

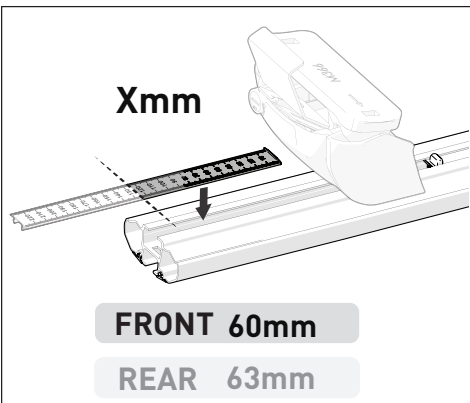
Faces OUT

PAD UNDERSIDE: FACES FRONT

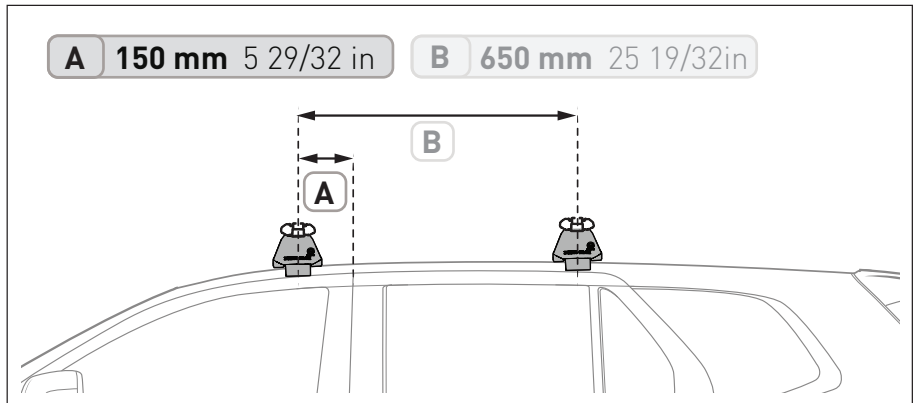
PAD ID: M366

CLAMP ID: SUB0148

MEASUREMENT STRIPS



VEHICLE POSITIONING



NOTES FOR DEALERS / FITTERS

It is your responsibility to ensure these fitting instructions are given to the end user or client.

Document No: R4147
 Issue No: 1
 Issue Date: 17-Dec-24