



VEHICLE	KIT	CROSSBAR
Hyundai Trajet 5dr Wagon	DK010	SZ137
RUNNING DATES	06/00- 07	
VEHICLE NOTES		

VISIT THE ONLINE CALCULATOR FOR CURRENT SYSTEM LOAD LIMIT DATA



DYNAMIC ROAD LOAD LIMIT (NOTE: DIFFERENT ON AND OFF ROAD CARGO LIMIT)
***USE THE VEHICLE MANUFACTURER'S MAXIMUM ROOF ALLOWANCE IF IT IS LOWER THAN THE FIGURE LISTED**

LOAD LIMIT	SYSTEM WEIGHT	ON ROAD CARGO LIMIT	OFF ROAD CARGO LIMIT (ON ROAD CARGO LIMIT / 2)
UP TO 50 kg * 110 lb	5 kg 11lb	UP TO 45 kg 99 lb	UP TO 23 kg 50 lb

OR

PAD AND CLAMP DETAILS

PLATE ID:
M311

PAD ID:
M367

CLAMP ID:
SUB0150

PLATE ID:
M311

PAD ID:
M367

PLATE ID:
M311

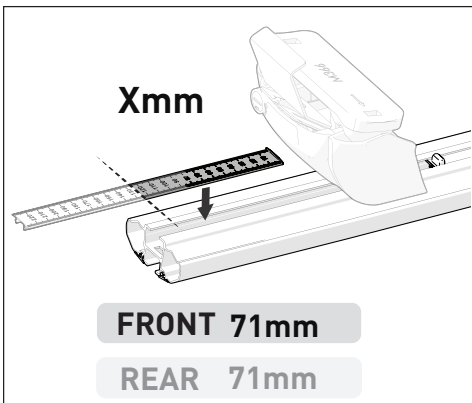
PAD ID:
M367

CLAMP ID:
SUB0150

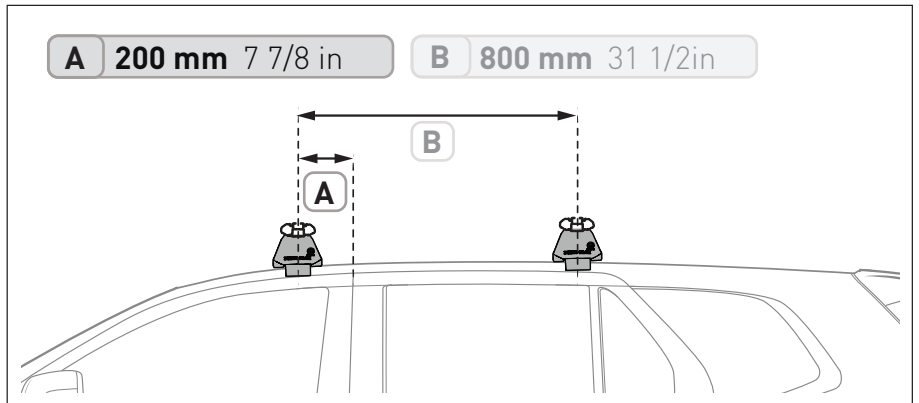
PLATE ID:
M311

PAD ID:
M367

MEASUREMENT STRIPS



VEHICLE POSITIONING



NOTES FOR DEALERS / FITTERS

It is your responsibility to ensure these fitting instructions are given to the end user or client.

Document No: R4137
 Issue No: 1
 Issue Date: 17-Dec-24