



# RHINO-RACK

CONTROLLED

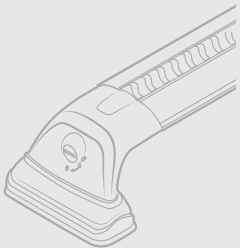
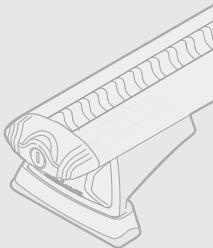
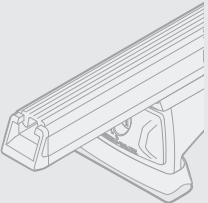
## Important:

1. Check the Rhino-Rack website to ensure you have the latest issue of these instructions.
2. Please refer to your fitting instruction to ensure that the roof racks are installed in the correct locations.
3. Check the contents of kit before commencing fitment and report any discrepancies.
4. Place these instructions in the vehicle's glove box after installation is complete.
5. These instructions must be followed for warranty to be upheld.

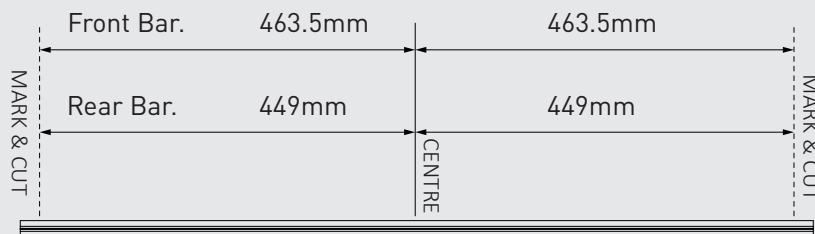
**Fit Time:** 45min

## RVP80 - Cadillac XT6 2020 on .

Maximum load carrying capacity: 100kg / 220lbs (including weight of the roof rack 5kg/11lbs).

<p>Leg kit: RVL4 Front bar: 927mm Rear bar: 898mm Base kit: RCP66-BK</p> 	<p>Leg kit: RCL4 VA Bar: VA118S/B Base kit: RCP66-BK</p> 	<p>Leg kit: RCL4 HD Bar: RB1250S/B Spacers: QMHD05 Base kit: RCP66-BK</p> 
--	---	---

Vortex crossbars can be cut to length to fit this vehicle. Measure the desired length out from the centre of the Vortex Bar and create a reference with a marker. Carefully cut the bar at these markings using a Saw with an Alloy Cutting Blade.



Note for dealers when altering a RSP kits:  
Add 38mm to sports bar measurement for RVL.  
Add 40mm to sports bar measurement for RVH.

Document No: R2498  
Issue No: 01  
Issue Date: 16/04/20