

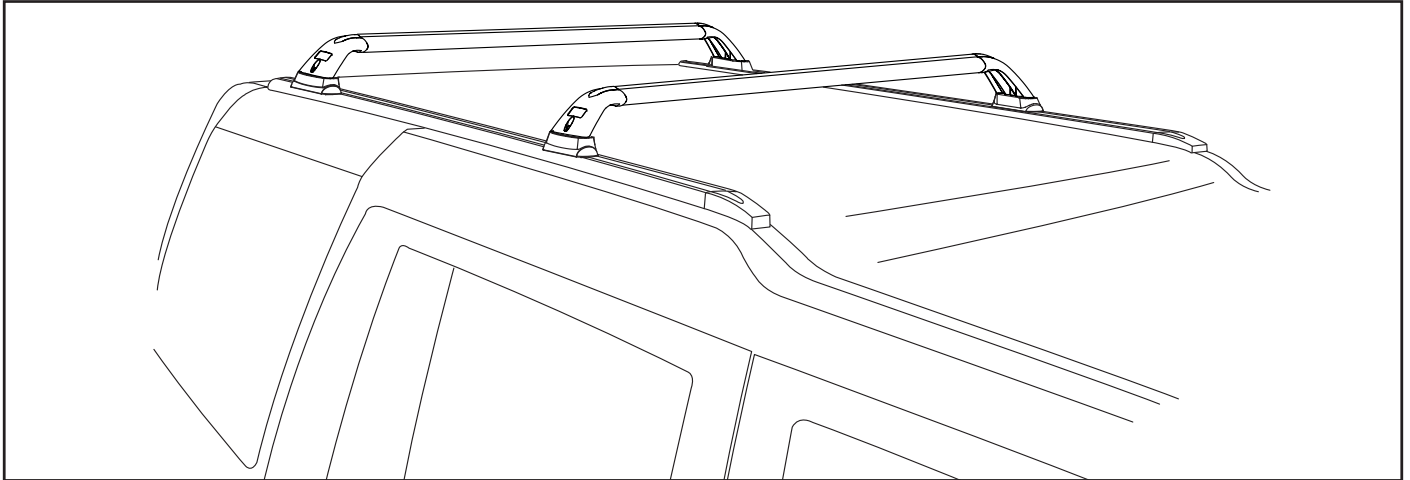


RHINO-RACK

RSP502 - Land Rover Discovery 3 & 4 Land Rover LR3, LR4.

Important:

Please read these instructions carefully prior to installation.
Please refer to your fitting instruction to ensure that the roof racks are installed in the correct locations.
Check the contents of kit before commencing fitment and report any discrepancies.
Place these instructions in the vehicle's glove box after installation is complete.



Care Instruction: Clean vehicle roof prior to fitting Rhino Crossbars.

Important Information

Maximum carrying capacity evenly distributed over all crossbars: 75kg/ 165lbs.

Please refer to your vehicle manufacturers handbook for maximum carrying capacity of your roof racks. Always use the lower of the two figures. Load must be evenly distributed over the crossbars. Maximum permissible load is 75kg/ 165lbs (including the weight of the crossbars, 5kg/11lbs). When roof racks are to be used in off-road conditions, please build a safety factor of 1.5 into this load limit, 50kg/110lbs for off-road conditions. Although the roof racks are tested and approved to AS1235-2000, road conditions can be much more rigorous. However, increasing the number of crossbars does not increase the vehicles maximum permissible roof loading.

Do not attempt to fit the crossbars to your vehicle unless you fully understand this fitting instructions. Please direct any questions regarding fitting to the dealer from where the kit was purchased. **Use only non-stretch fastening ropes or straps.**

Recommendations:

It is essential that all bolt connections be checked after driving a short distance when you first install your roof racks. Bolt connections should be checked again at regular intervals (once a fortnight is enough, depending on road conditions, usage, loads and distances travelled). You should also check the roof racks each time they are re-fitted. Always make sure to fasten your load securely. Please ensure that all loads are evenly distributed and that the centre of gravity is kept as low as possible. Long loads (e.g. canoes and kayaks) must be secured front and rear with non-stretch fastening ropes or straps.

Roof racks must be removed when putting vehicle through an automatic car wash.

Caution: The handling characteristics of the vehicle changes when you transport a load on the roof. For safety reasons we recommend you exercise extreme care when transporting wind-resistant loads. Special consideration must be taken into account when cornering and braking.

Note for Dealers and Fitters:

It is your responsibility to ensure these fitting instructions are given to the end user or client.

Rhino-Rack
3 Pike Street, Rydalmere,
NSW 2116, Australia.
(Ph) (02) 9638 4744
(Fax) (02) 9638 4822

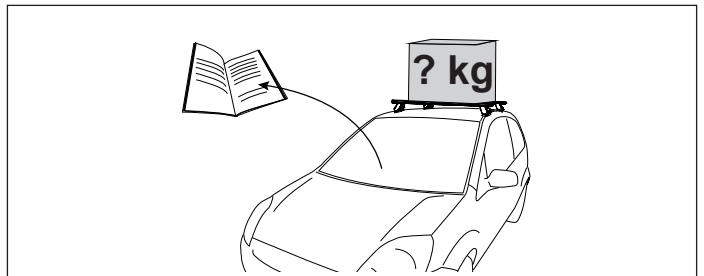
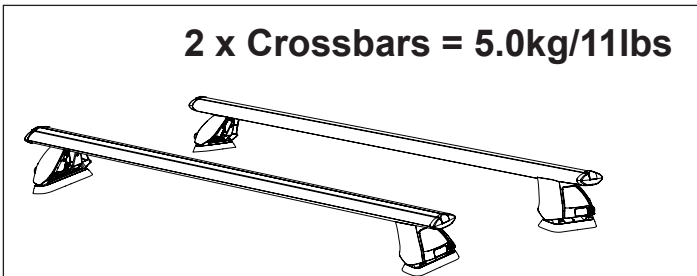
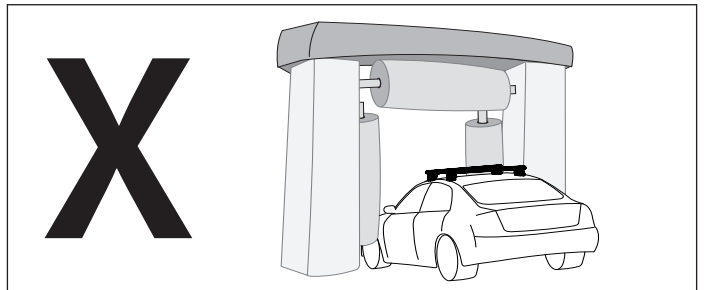
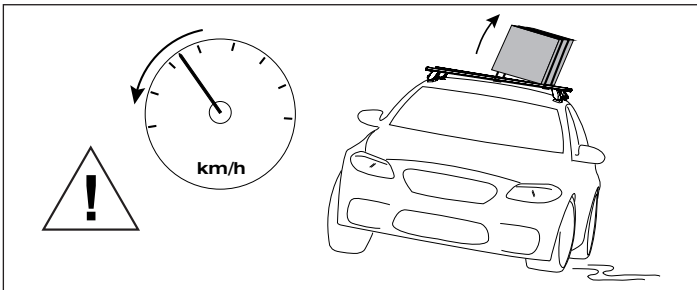
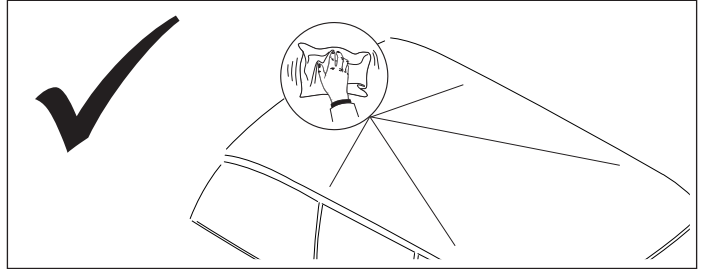
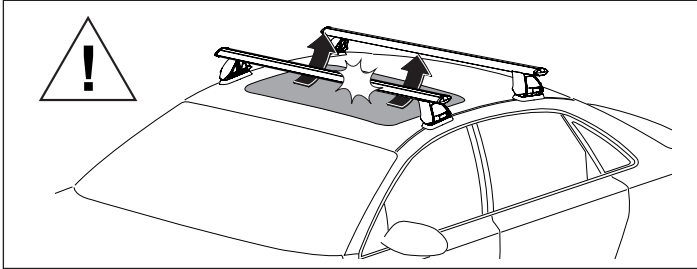
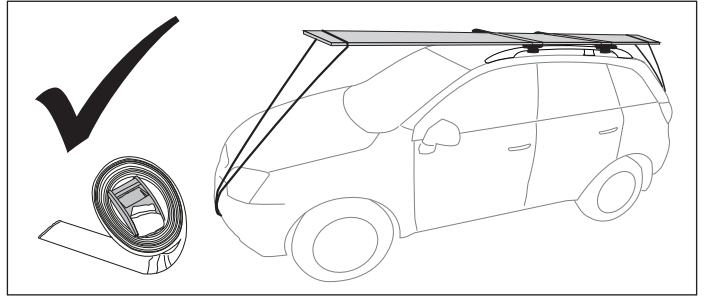
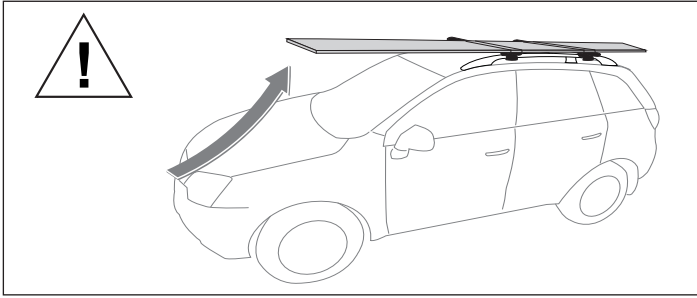
Document No: RS86
Prepared By: Craig Jones
Authorised By: Chris Murty

Issue No: 02
Issue Date: 27/07/2015

These instructions remain the property of Rhino-Rack Australia Pty Ltd and may not be used or changed for any other purpose than intended.



RSP502



When these roof racks are to be used on a vehicle that is driven off sealed roads, the manufacturer maximum roof load rating (to be found in the vehicles User Manual) should be **divided by 1.5**. Do not forget to subtract the complete crossbar system weight from your maximum carrying capacity.

75kg/ 165lbs (Urban Road)	=	50kg/ 110lbs (Off Road)
------------------------------	---	----------------------------

WARNING! Important Load Carrying Instructions
With utility vehicles, the cabin and the canopy move independently. Roof racks and vehicle can be damaged if the item transported is rigidly fixed at points on both the cabin and canopy. Instead, rigidly fix to either the cabin roof racks or the canopy roof racks.

Paddle/ Surfboards should be fixed to the front of the vehicle.

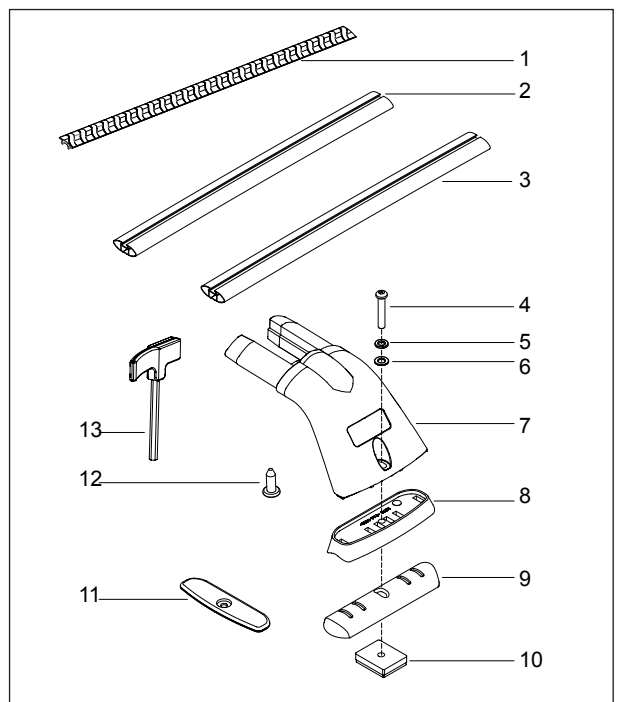
✓ YES



RSP502

Parts List

Item	Component Name	Qty	Part No.
1	Vortex Buffer Strip	5	M626
2	Crossbar 965mm FRONT	1	A155
3	Crossbar 927mm REAR	1	A155
4	M6 x 40mm Button Security Screw	4	B085
5	M6 Spring Washer	4	W004
6	M6 x 12.5mm Flat Washer	4	W003
7	RSP Leg	4	M561
8	RSP Top Pad	4	M173
9	RSP Bottom Pad	4	M172
10	M6 Rectangular Nut	4	N035A
11	Mounting Pad Cover Plate	4	M126
12	10G x 1/2" Pan Head Phillips Screw	4	B045
13	5mm Torque Security Key	1	TORKEY-S
14	Fitting Instruction	1	RS86

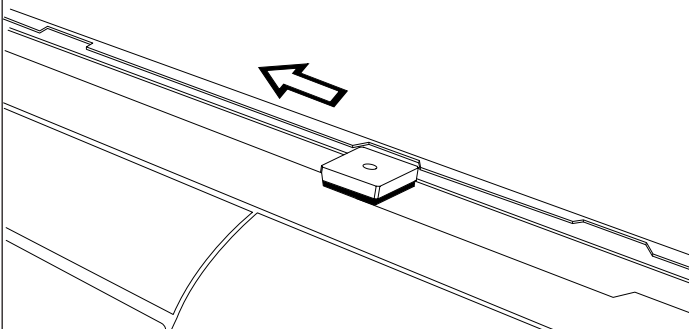


Tools Required;

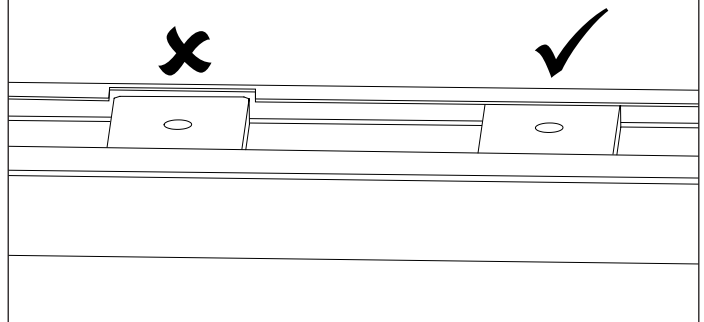
Marking pen
5mm Security Allen key,
provided in kit

Phillips Head Screwdriver
Measuring tape

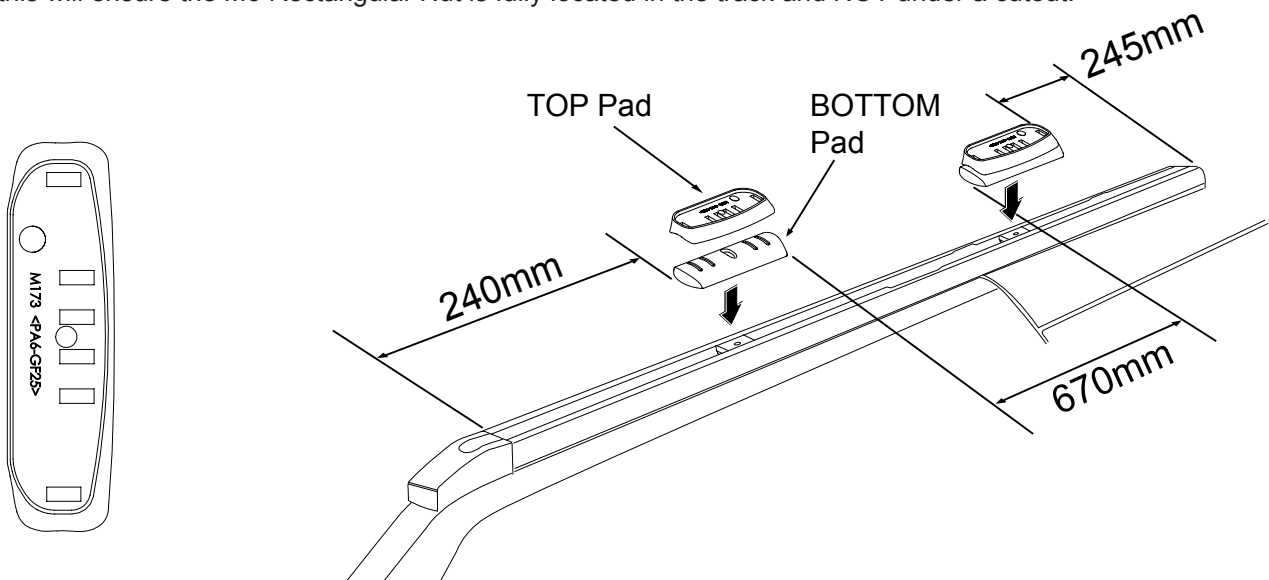
1 With the foam facing downward place two M6 rectangular nuts into each track with the short side of the nut parallel to the side of the vehicle as shown. Push down on the nut and slide along the track.



2 Position the M6 Rectangular Nuts so they are **NOT** lying in a cutout on the track.



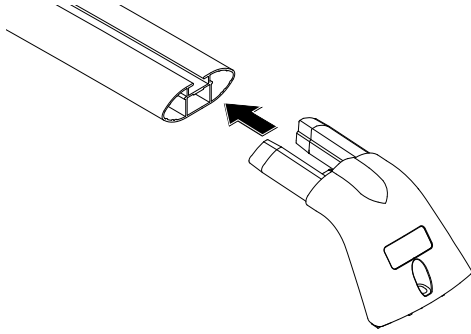
3 Place the Bottom and Top RSP pads on the track at the measurements shown, this will ensure the M6 Rectangular Nut is fully located in the track and NOT under a cutout.



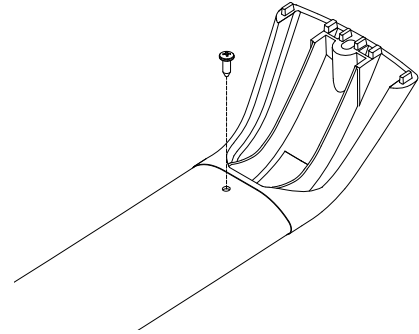


RSP502

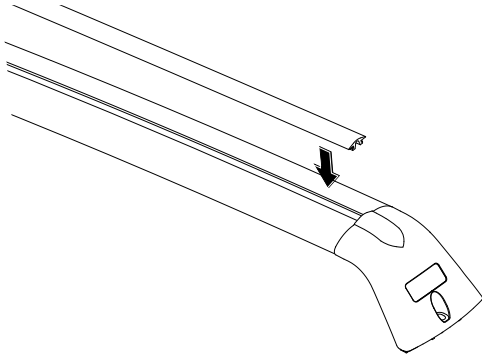
- 4** Insert the RSP leg fully into the crossbars, a rubber mallet may be required to knock the leg in place.



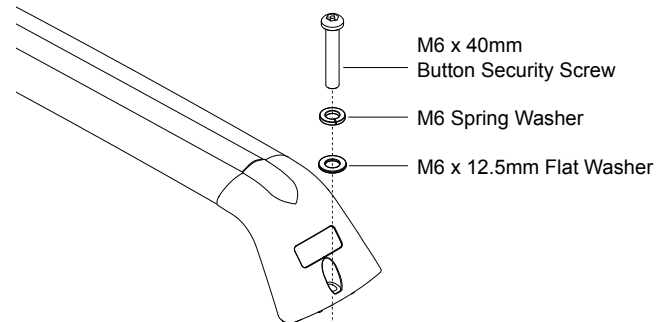
- 5** From the underside of the crossbar insert the phillips head screw.



- 6** Insert the Vortex rubber into the top of each crossbar. Trim Vortex rubber to suit each crossbar length.



- 7** Place the M6 Security Screw and washer assembly through the hole in the Leg as shown.



- 8** Crossbars are labeled Front and Rear. Place each crossbar onto the Top Pad. Assemble the washers onto the security screws. Insert the screw assembly through the RSP leg mounting hole. Before final tightening re-check the distance between the crossbar assembly as described in Step 3. Tighten using the Torque key provided. Recommended tightening torque 3-4Nm/ 2-3lb/ft. **DO NOT OVER TIGHTEN.**

