

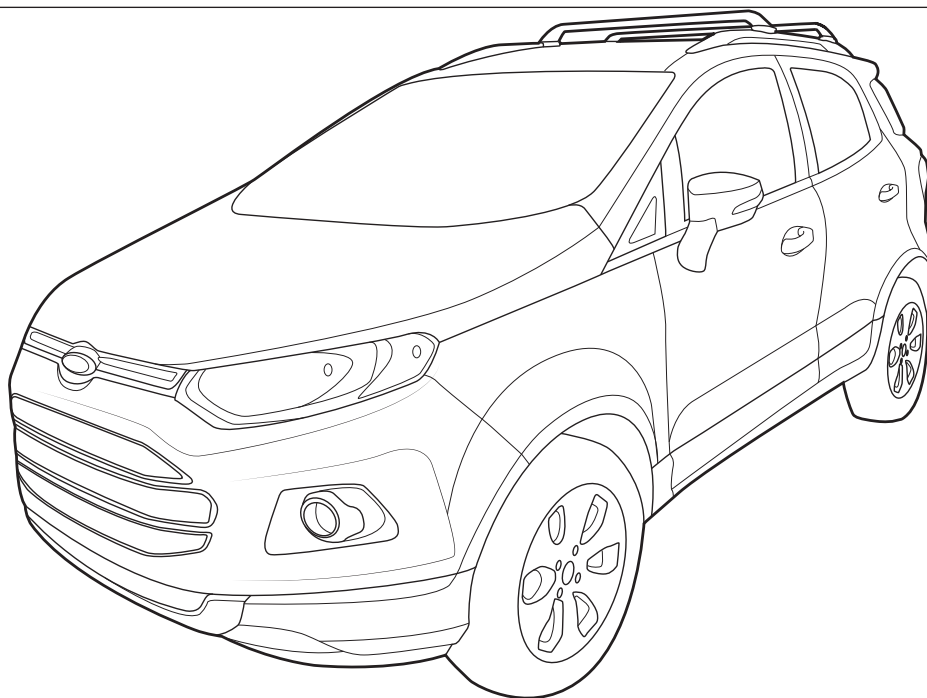


CONTROLLED

RHINO-RACK

Ford Ecosport

RLCP36 - RSP36 Crossbar System



Important Information

Maximum roof load: 45kg/99lbs evenly distributed across two crossbars. Refer to vehicle owners manual for maximum roof loading. Always use lower of the two figures.

Recommendations:

It is essential that all bolt connections be checked after driving a short distance when you first install your crossbars. Bolt connections should be checked again at regular intervals (probably once a week is enough, depending on road conditions, usage, loads and distances travelled). You should also check the crossbars each time they are refitted. Make sure to fasten your load securely. Please ensure that all loads are evenly distributed and that the centre of gravity is kept as low as possible. Use non stretch ropes.

Please remove crossbars when putting vehicle through an automatic car wash.

Load Ratings:

Maximum permissible load is 45kg (99lbs) for two crossbars including the weight of the crossbars, 5kg (11lbs). When crossbars are to be used in off-road conditions, please build a safety factor of 1.5 into this load limit for off-road use, two crossbars = **30kg 66lbs**). Although the crossbars are tested and approved to AS1235-2000, Off road conditions can be much more rigorous. However, increasing the number of crossbars does not increase the vehicles maximum permissible roof loading.

Note for Dealers and Fitters:

It is your responsibility to ensure instructions are given to the end user or client.

Rhino-Rack
3 Pike Street, Rydalmere,
NSW 2116, Australia.
(Ph) (02) 9638 4744
(Fax) (02) 9638 4822

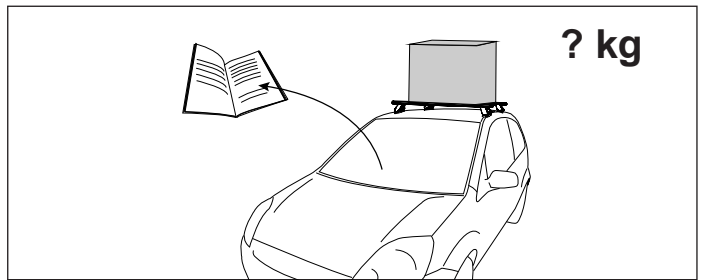
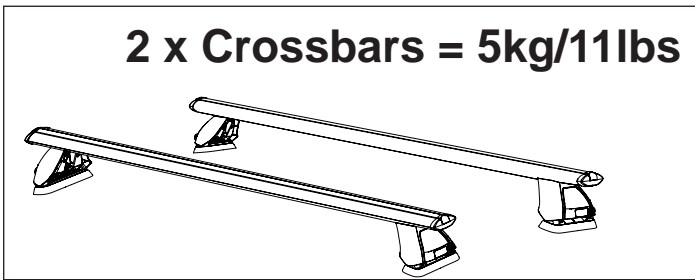
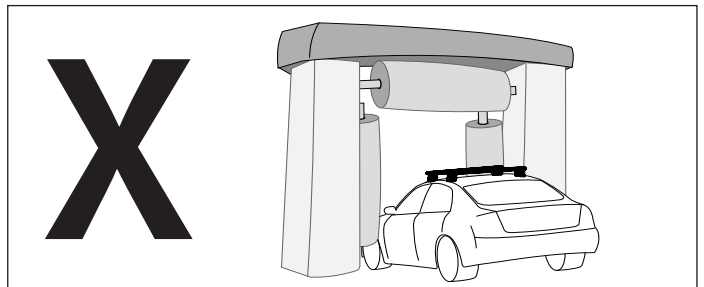
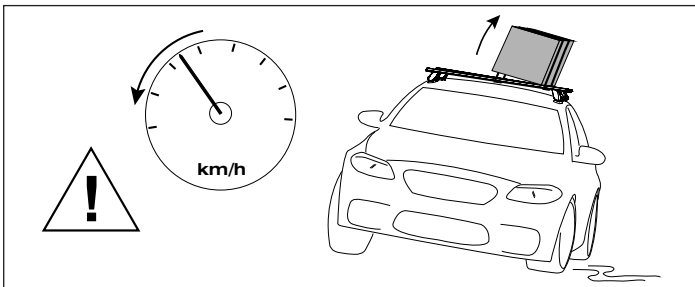
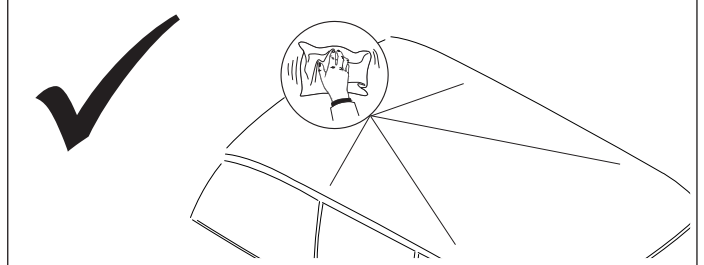
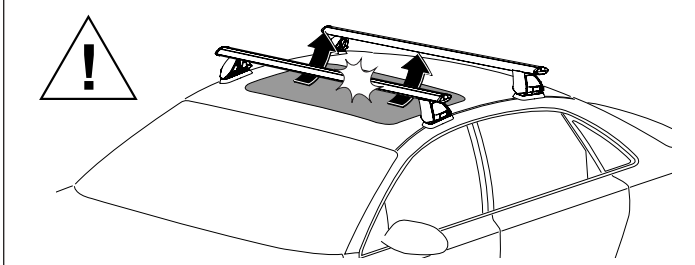
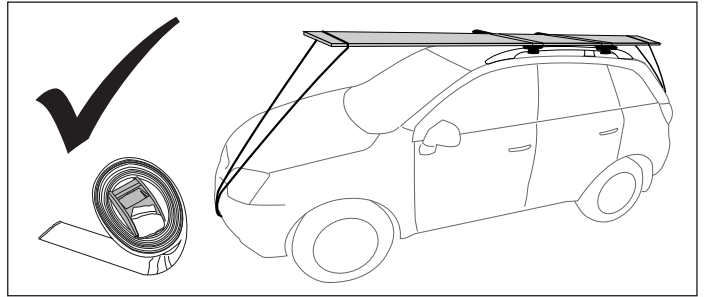
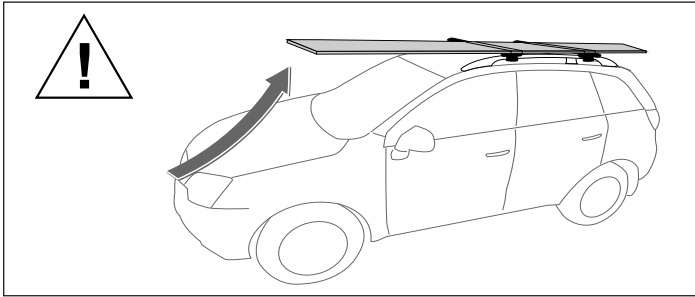
Document No: R505
Prepared By: Kayle Everett
Authorised By: Chris Murty

Issue No: 02
Issue Date: 10/03/2015

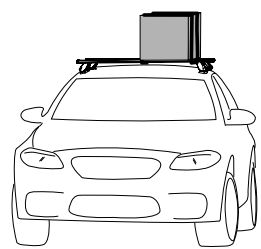
These instructions remain the property of Rhino-Rack Australia Pty. Ltd. and may not be used or changed for any other purpose than intended.



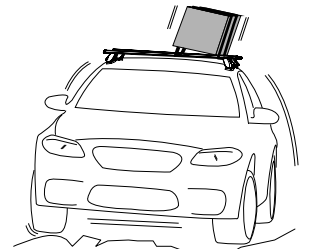
Ford Ecosport RLCP36-RSP36



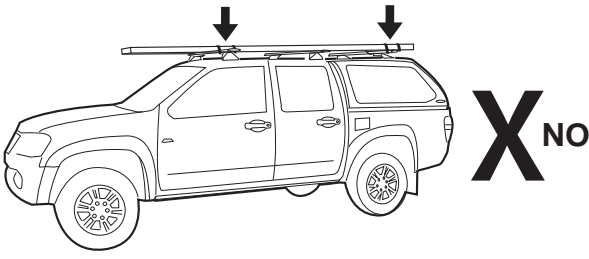
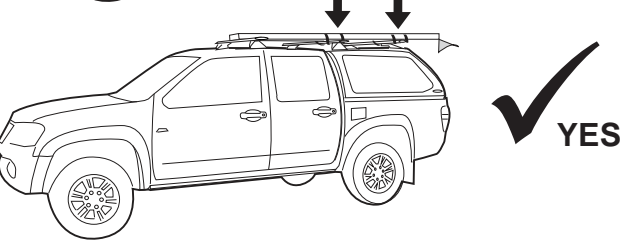
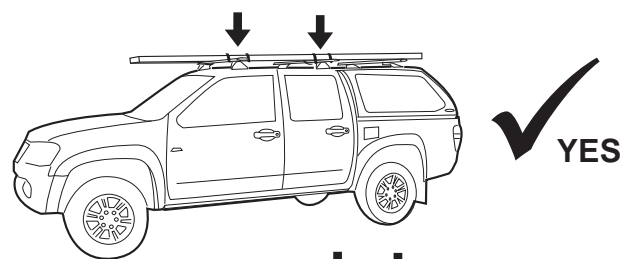
When these roof racks are to be used on a vehicle that is driven off sealed roads, the manufacturer maximum roof load rating (to be found in the vehicles User Manual) should be **divided by a factor of 1.5**. Do not forget to subtract 5kg from your maximum carrying capacity due to the weight of the crossbars and legs.



$$\begin{matrix} 45\text{kg}/99\text{lbs} \\ \text{load rating} \\ (\text{Urban road}) \end{matrix} = \begin{matrix} 30\text{kg}/66\text{lbs} \\ \text{load rating} \\ (\text{off road}) \end{matrix}$$



WARNING! Important Load Carrying Instructions
With utility vehicles, the cabin and the canopy move independently. Roof racks and vehicle can be damaged if the item transported is rigidly fixed at points on both the cabin and canopy. Instead, rigidly fix to either the cabin roof racks or the canopy roof racks.





Ford Ecosport RLCP36-RSP36

Parts List

Note: Both RLCP and RSP Kits shown. These Kits are sold as separate. Use the appropriate instruction steps and parts list below for reference.

Item	RLCP36	Qty	Part No.
1	Ford Ecosport Rail Bracket FL	1	CA1331
2	Ford Ecosport Rail Bracket FR	1	CA1332
3	Ford Ecosport Rail Bracket RL	1	CA1333
4	Ford Ecosport Rail Bracket RR	1	CA1334
5	Rubber Skirt	4	M725
6	M6 x 16 Security Screw	4	B061
7	M6 x 20 Security Screw	4	B062
8	M6 Spring Washer	8	W004
9	M6 x 12.5mm FLat Washer	8	W003
10	RLCP Leg	4	M123
11	5mm Security Allen Key	1	H021
12	Fitting Instructions	1	R505

Crossbars sold individually

VA106S Vortex Crossbar Silver

VA106B Vortex Crossbar Black

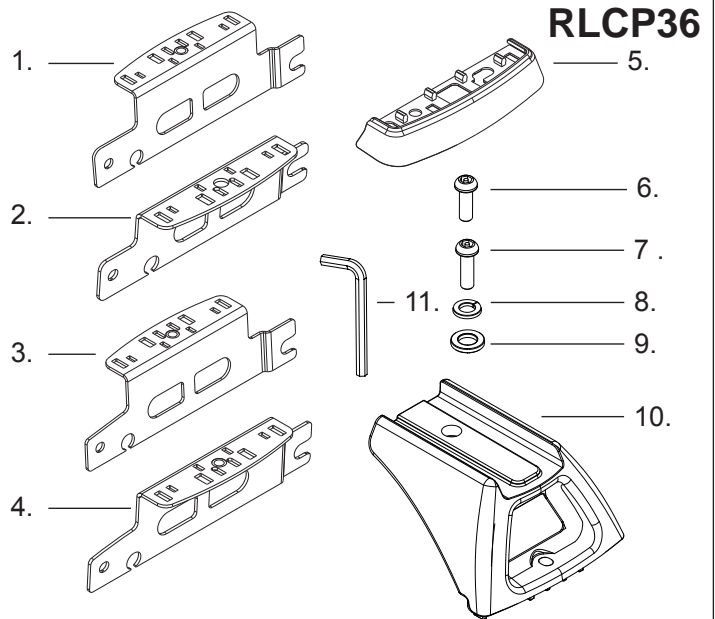


1065mm Vortex Crossbar

Fit Kit for Vortex Corssbars

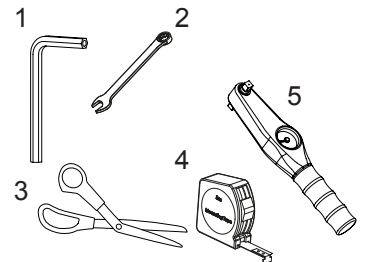
2 x VA-FK2 - 2 Bars

1 x VA-FK2 - 1 Bar



Tools Required:

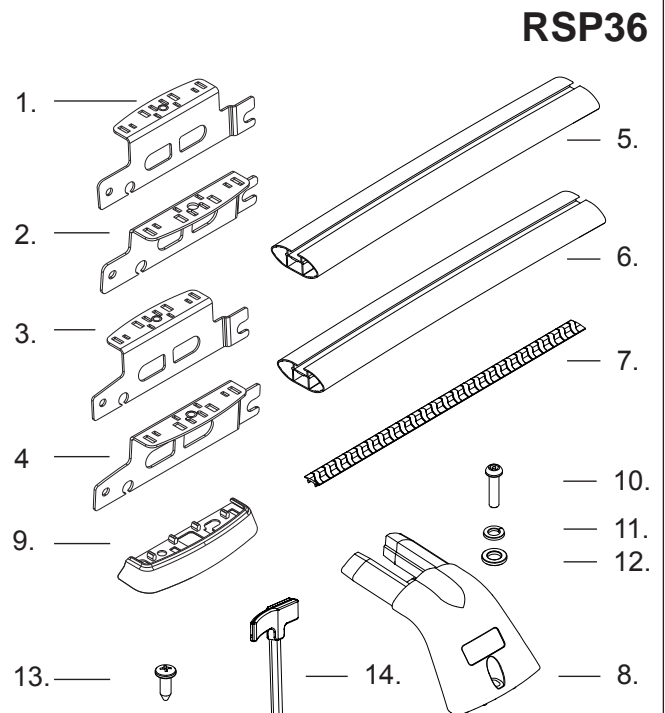
- 1- 5mm Security Allen Key (supplied in kit).
- 2- 10mm Spanner.
- 3- Scissors.
- 4- Tape Measure.
- 5- Torque Wrench.



Item	RSP36	Qty	Part No.
1	Ford Ecosport Rail Bracket FL	1	CA1331
2	Ford Ecosport Rail Bracket FR	1	CA1332
3	Ford Ecosport Rail Bracket RL	1	CA1333
4	Ford Ecosport Rail Bracket RR	1	CA1334
5	Crossbar Front 809mm	1	A155
6	Crossbar Rear 787mm	1	A155
7	Vortex Generatating Strip 400mm	4.5	M626
8	RSP Leg Low	4	M509
9	Rubber Skirt	4	M725
10	M6 x 20 Security Screw	8	B062
11	M6 Spring washer	8	W004
12	M6 x 12.5mm Flat Washer	8	W003
13	1/2 x 10G Phillips Screw	4	B045
14	5mm Security Torque Key	1	TORKEY-S
15	Fitting Instructions	1	R470

Tools Required:

- 1- Phillips Head Screwdriver
- 2- 5mm Security Torque Key (supplied in kit).
- 3- Scissors.
- 4- Rubber Mallet.

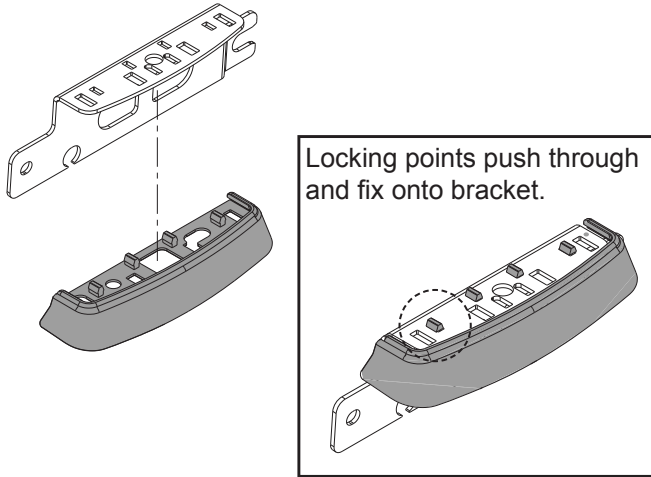




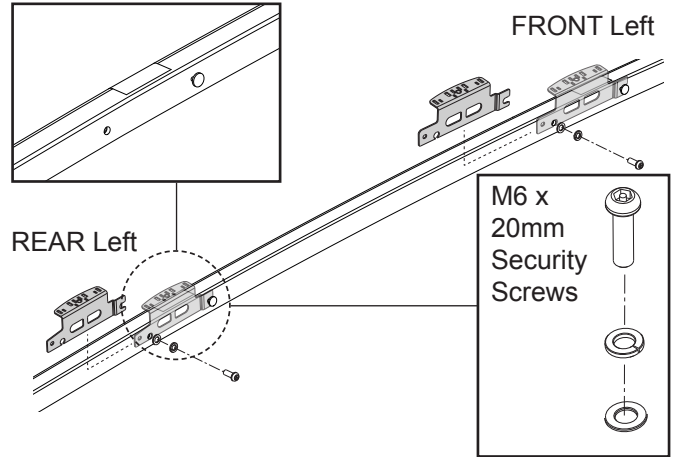
Ford Ecosport RLCP36-RSP36

Installing Mounting Points

- 1** Install all mounting brackets into the rubber skirts. Note that the four locking points on the rubber skirt push through and fix onto the bracket.



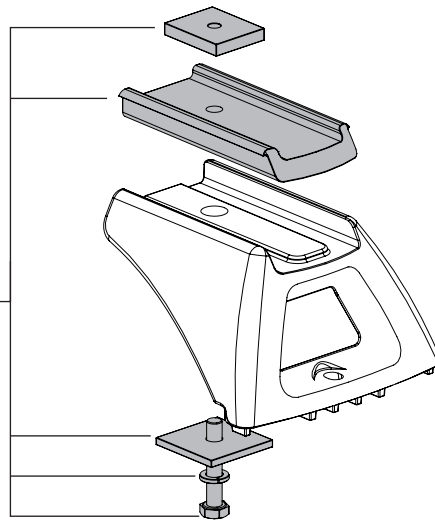
- 2** Locate the plastic spigot on the factory rails. Place the notch of the front and rear brackets onto the corresponding spigot. Install with M6x20mm security screws, M6 spring and flat washers.



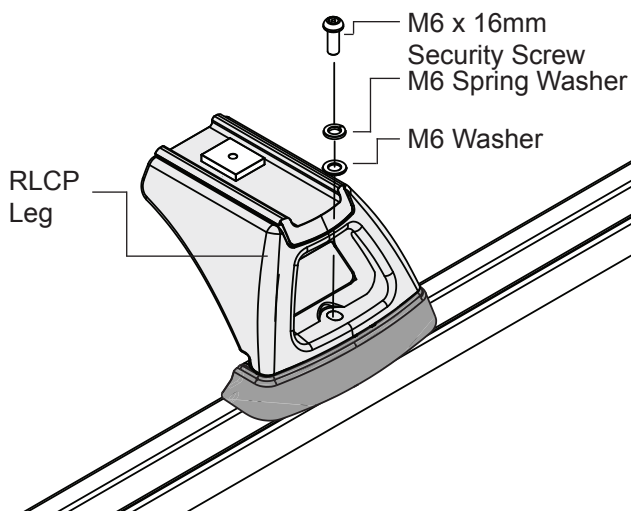
RLCP36

- 1** **Vortex Crossbars.**
When using two crossbars they can be positioned on any of the roof rack mounting points.
When fitting two Vortex crossbars you will need **2 x VA-FK2** fitting kits which are sold separately.

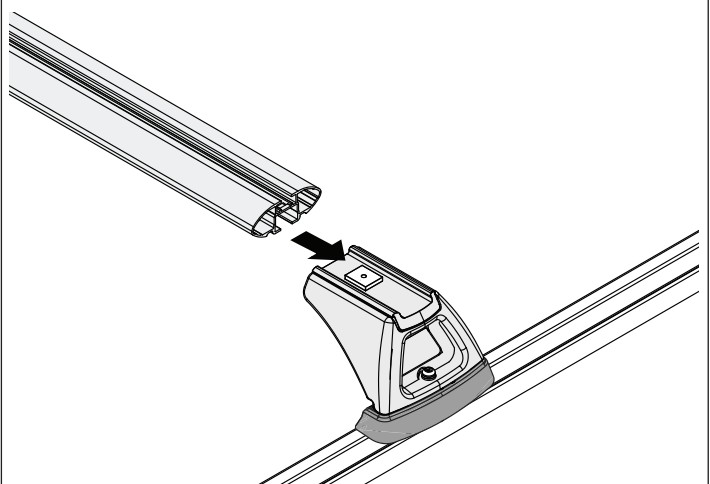
VA-FK2 components for Vortex crossbars



- 2** Install the leg as shown.



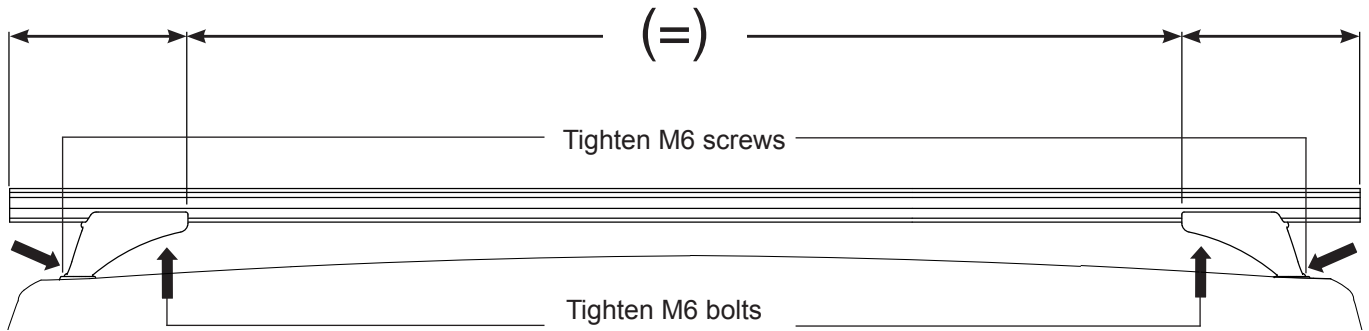
- 3** Slide the Crossbar over the Square Nut, finger tighten.



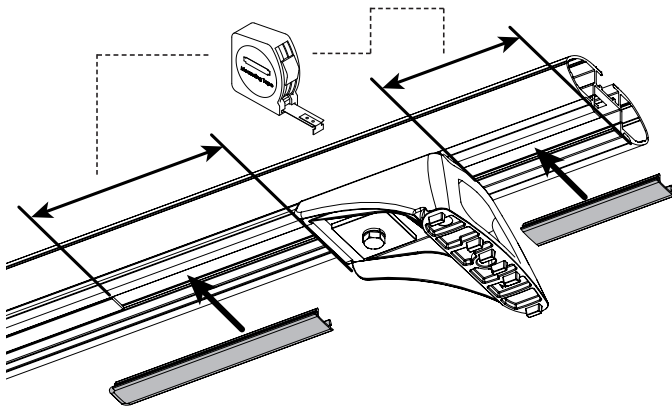


Ford Ecosport RLCP36-RSP36

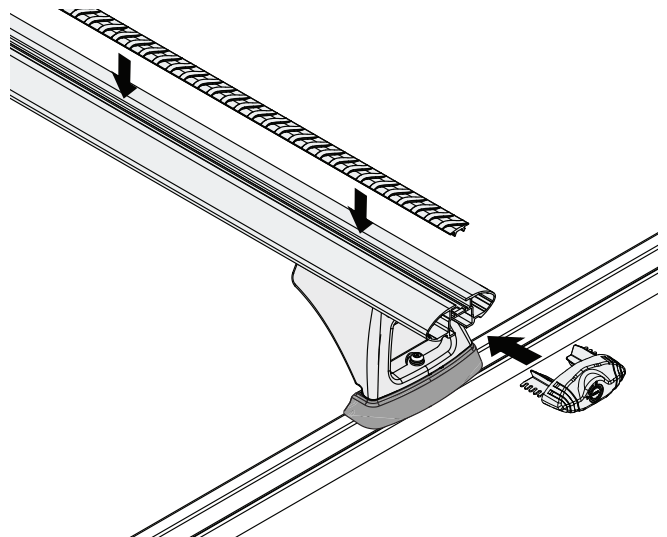
- 4** Adjust crossbar overhang to be equal on both sides. Tighten M6 crossbar bolts with a wrench to 3-4Nm/ 2-3lb/ft. Tighten M6 security screws with the allen key provided to 3-4Nm/ 2-3lb/ft. Check fittings are secure.



- 5** Measure the underbar slot length each side of the leg then cut the bar measurement strips to these lengths. Clip each piece into the underbar slots of the crossbar. Filling these slots helps to reduce or eliminate wind noise.

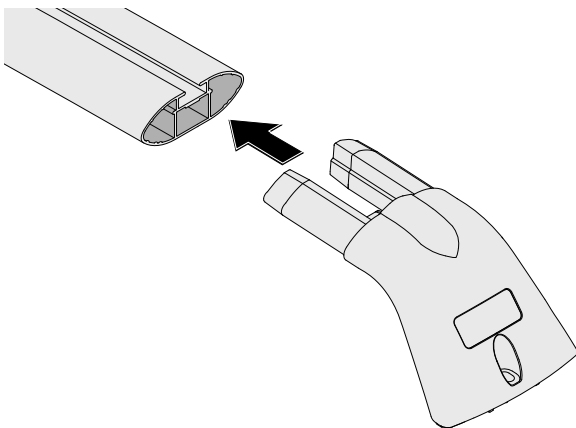


- 6** Insert the Vortex Strips and End Caps into crossbar. Lock end caps in place with plastic key supplied.

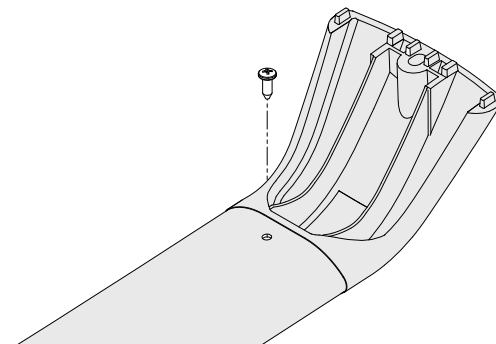


RSP36/F/R

- 1** Insert the support leg fully into the crossbars, a rubber mallet may be required to knock the leg in place.



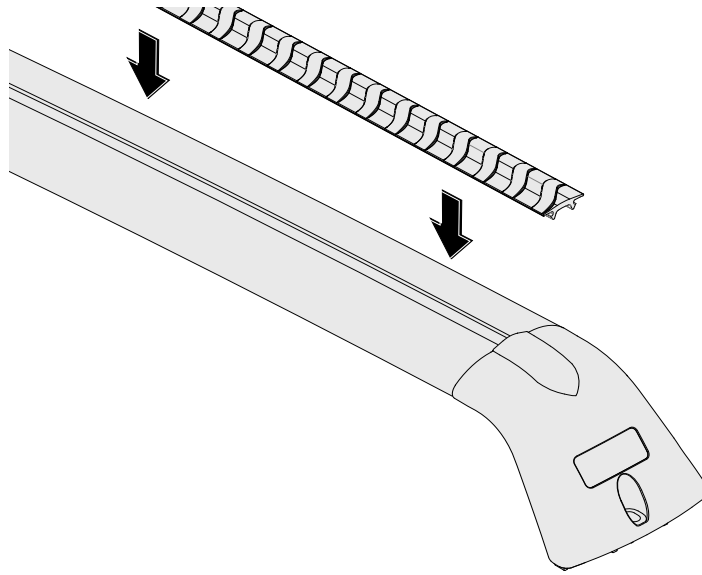
- 2** From the underside of the crossbar insert the phillips head screw.





Ford Ecosport RLCP36-RSP36

3 Insert Vortex Rubber into crossbar.



5 Install crossbars using an M6 x 20mm Security Screw, M6 Spring Washer and M6 Flat Washer. 1: Line the holes in the leg and bracket up, loosely insert hardware. 2: Begin to tighten the security screw. 3: As the screw is tightened the leg will pull into the correct location and sit flush with the top of the bracket. Tighten with Allen Key provided to 3-4 Nm/ 2-3lb/ft. Check fittings are secure.

