



RHINO-RACK

Aerodynamic & Heavy Duty Roof Rack Systems

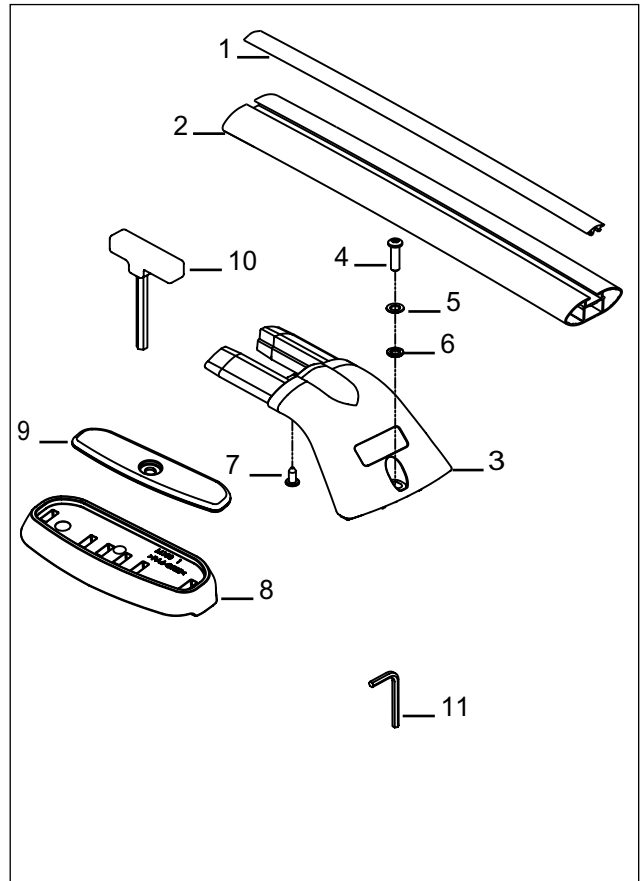
RSP07 Rhino Sportz - Product Description

Place these instructions in the vehicle's glove box after installation is complete.

Important: Please read these instructions carefully prior to installation. Please refer to your fitting instruction to ensure that the roof racks are installed in the correct locations. Check the contents of kit before commencing fitment and report any discrepancies.

Parts List

ITEM	COMPONENT NAME	QTY	PART No
1	AERO SPORTZ BUFFER RUBBER	2	R011
2	SPORTZ AERO CROSSBAR BAR	2	A155
3	SPORTZ LEG NARROW BASE	4	M094
4	M6 x 35 S/S SECURITY SCREW	4	B092
5	M6 SPRING WASHERS S/S	4	W004
6	M6 X 12.5MM FLAT WASHERS S/S	4	W003
7	1/2 X 10 PAN PHILLIPS S/T SCREW	4	B045
8	FORD TERRITORY PAD RCP/RSP	4	M180
9	RSP/RCP PAD COVER PLATE	4	M126
10	SECURITY KEY SHORT	1	SECKEY-S
11	4MM HEX ALLEN KEY	1	H001
12	PAD COVER PLATE FITTING INSTRUCTION	1	RCP
13	FITTING INSTRUCTION	1	RS-69



Crossbar position information.

First and Fourth mounting points = 1175mm crossbar spacing.
 Second and Fourth mounting points = 820mm crossbar spacing.
 First and third mounting points = 765mm crossbar spacing.
The 820mm crossbar spacing is recommended.

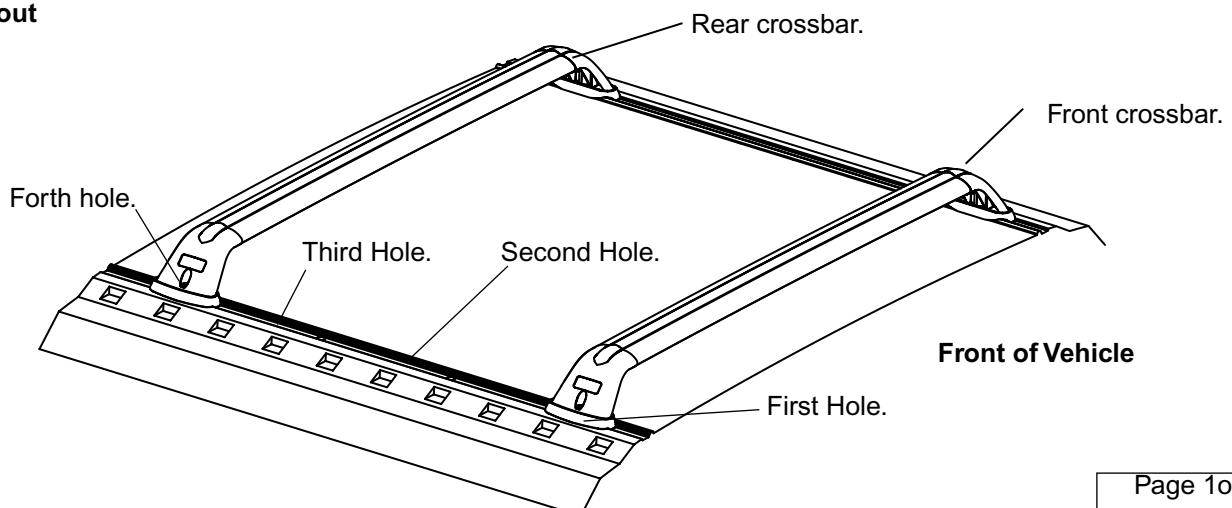
Care Instruction.

Clean vehicle roof prior to fitting the Rhino-Rack roof racks.

Tools Required

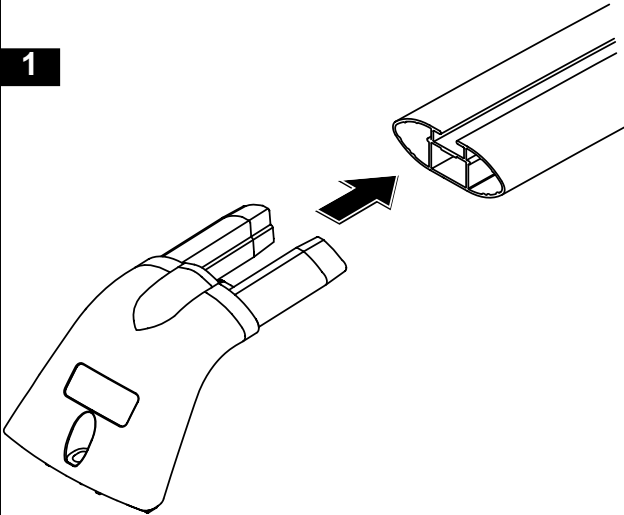
Security type allen key provided in kit.

Layout



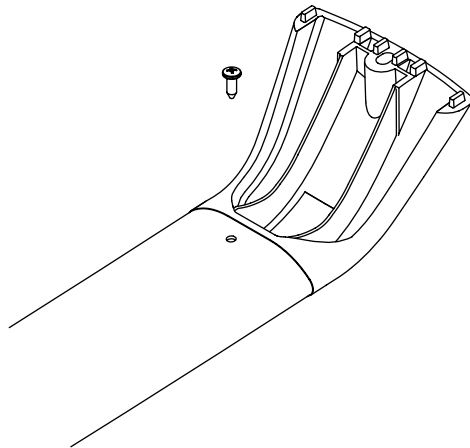
Insert the support leg completely into the crossbar.

1



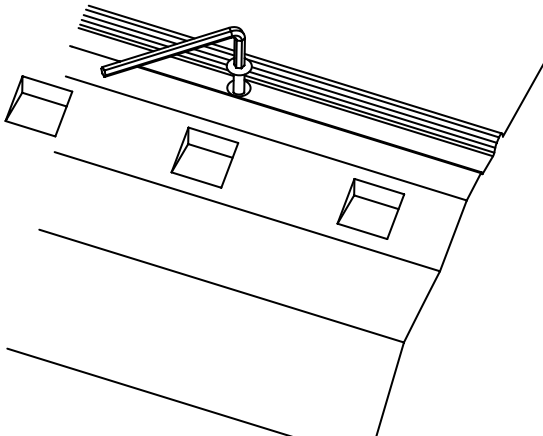
From the under side of the crossbar insert the phillips self tapping screw into the hole provided and screw into the support leg to secure the leg and crossbar.

2



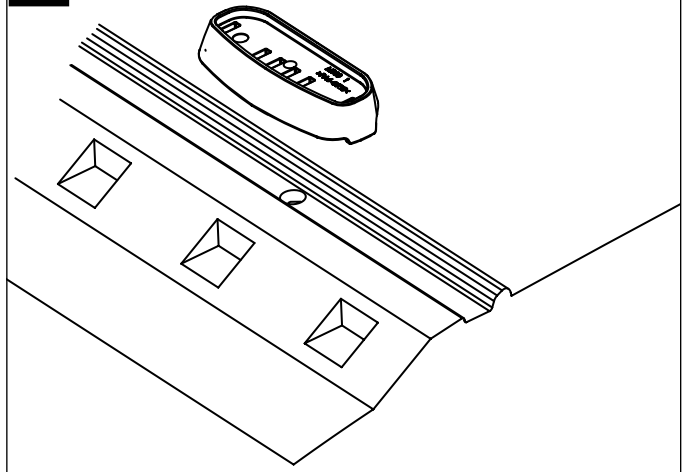
Determine the required crossbar positions as per the crossbar information on page 1. Remove the trim screws using the 4mm Allen key provided. Store the screws in a safe place for refitting if the crossbar mounting pads are removed.

3



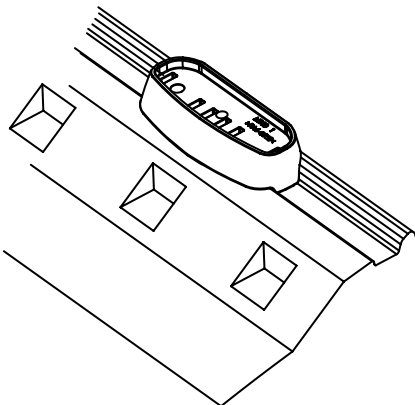
Place the mounting pad onto the roof, locating the hole alignment boss in the trim screw hole.

4



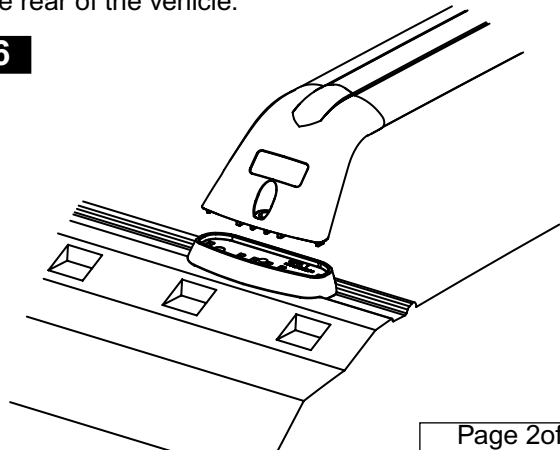
Check that the mounting pad is aligned with the hole.

5



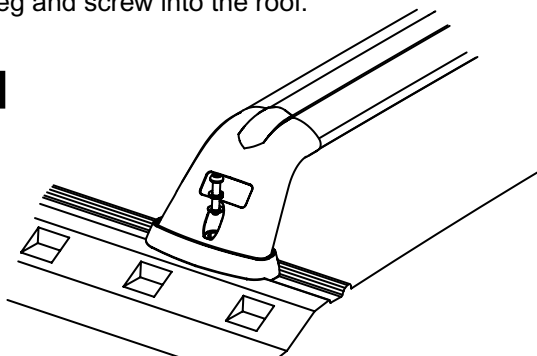
Place the pre-assembled crossbar assemblies onto the mounting pads. The crossbars are marked **Front** and **Rear**. Front on the front of the vehicle, Rear on the rear of the vehicle.

6



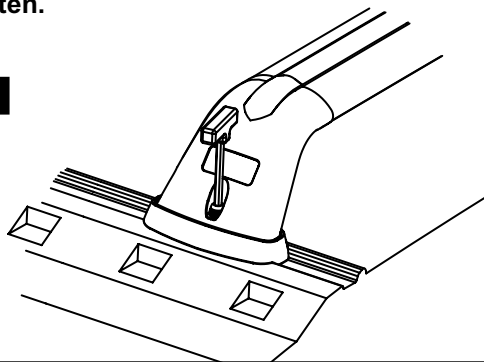
Place the M6 spring washer and M6 flat washer onto the M6 security screw. Insert the screw assembly into the leg and screw into the roof.

7



Tighten the M6 crossbar attachment screw to 5Nm using the security Allen key provided. **Do not over tighten.**

8



Removing and refitting the Crossbar Assembly.

When removing the Rhino Sportz aerorack, unscrew the attachment screws and remove the crossbars. The mounting pads can remain attached to the roof if desired. Store the Rhino Sportz aerorack and hardware in a safe place. Alternatively, use M6 hardware to mount M123 cover plates (please refer to separate instruction sheet).

To refit the crossbar assemblies, place the crossbars onto the mounting pads in their preset positions. Insert the M6 screw assembly as per instruction 6 & 7, using the short end of the security allen key, tighten the bolt as recommended in instruction 8.

Important Information

Maximum Crossbar Load Rating:- 80Kg Evenly distributed.

RECOMMENDATIONS

Please refer to your vehicle manufacturers operating manual for maximum roof load rating.

It is essential that all bolt connections be checked after driving a short distance when you first install your Rhino Sportz Crossbars.

Bolt connections should be checked again at regular intervals (probably once a week is enough, depending on road conditions, usage, loads and distances travelled). You should also check the roof bars each time they are refitted.

Crossbars and accessories should be cleaned and all screw threads should be lubricated at regular intervals.

Rhino-Rack offers a 3 year warranty to the original purchaser of the Rhino Sportz roof rack system and Accessories.

Rhino-Rack cannot be held responsible for incorrect mounting of the roof rack system or for usage that exceeds vehicle and production tolerances.

Make sure to fasten your load securely.

Please ensure that all loads are evenly distributed and that the centre of gravity is kept as low as possible.

USE ONLY NON-STRETCH FASTENING ROPES OR STRAPS.

SENSITIVITY TO CROSSWINDS, BEHAVIOUR IN CURVES AND BRAKING

The handling characteristics of the vehicle change when you transport a load on the roof. For safety reasons, we recommend you exercise extreme care when transporting wind-resisting loads; special consideration must be taken into account when braking.

PLEASE REMOVE CROSSBARS WHEN PUTTING VEHICLE THROUGH AN AUTOMATIC CAR WASH

LOAD RATINGS

The vehicle manufactures recommended load rating is the maximum permissible load per pair of roof racks (include the weight of the roof rack, 5kg). When roof bars are to be used in extreme off-road conditions please build a safety factor of 1.5 into this maximum load limit. Although roof bars are tested and approved to AS1235-2000, Australian road conditions can be much more rigorous.

NOTE FOR FITTERS AND DEALERS

It is your responsibility to ensure instructions are given to the end user or client.

Rhino-Rack

3 Pike Street, Rydalmere,
NSW 2116, Australia.

(Ph) (02) 9638 4744 (Fax) (02) 9638 4822

Document No: RS-69

Prepared By: Alan Marshall.

Authorised By: Gary England

Issue No: 01

Issue Date: 01/09/2004

These instructions remain the property of Fetovu Pty Ltd T/as Rhino-Rack and may not be used or changed for any other purpose than intended.