



RHINO-RACK

Aerodynamic & Heavy Duty Roof Rack Systems

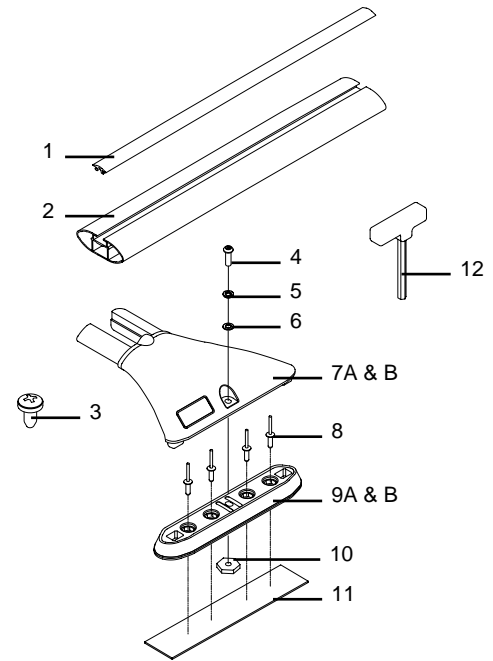
RSF Rhino Sportz - Fixed Mount

Place these instructions in the vehicle's glove box after installation is complete.

Important: Please read these instructions carefully prior to installation. Please refer to your fitting instruction to ensure that the roof racks are installed in the correct locations. Check the contents of kit before commencing fitment and report any discrepancies.

Parts List

Item	Component Name	Qty.	Part No.
1	Sportz Rubber Buffer	2	-
2	Sportz Crossbar	2	-
3	10G x 1/2" Self Tapping Screw	4	B045
4	M6 x 20mm Button Head Security Screw	4	B062
5	M6 Spring Washer	4	W004
6	M6 x 12.5mm Flat Washer	4	W003
7A	Sportz Track Leg Left	2	M013
7B	Sportz Track Leg Right	2	M014
8	Rivet	16	H008
9A	Sportz Fixed Mount Pad Left	2	M029
9B	Sportz Fixed Mount Pad Right	2	M028
10	M6 x 21.43mm x 4.4mm Brass Hex Nut	4	N009
11	PVC Foam Gasket	4	C135
12	5mm Security Allen Key	1	H011 & H013
13	Fitting Instruction	1	RS67



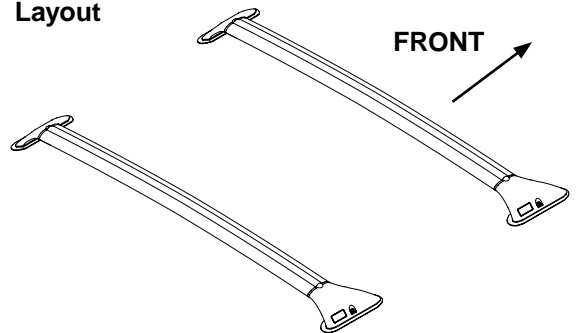
Tools Required:

- Measuring tape
- Marking pen
- 5mm Drill bit
- Power or cordless drill
- Drill stop
- Vacuum cleaner
- Masking tape
- Phillips head screwdriver
- Galvanised paint
- Selleys Butyl Mastic
- Stanley knife
- Pneumatic or concertina type rivet gun
- Centre punch
- Rubber mallet
- Security type allen key, provided in kit

Care Instruction:

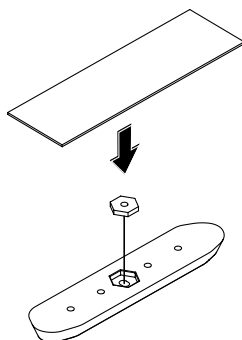
Wash vehicle roof prior to installation.

Layout



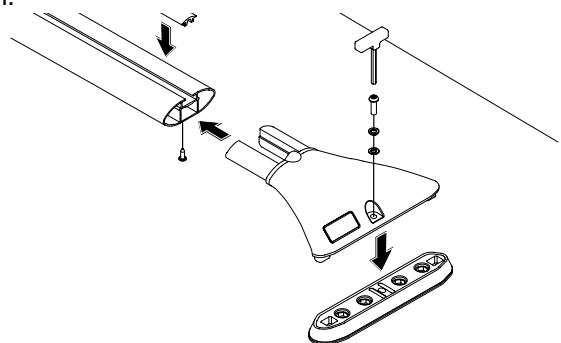
Install nuts, apply gasket as shown. With stanley knife, carefully trim gasket.

1

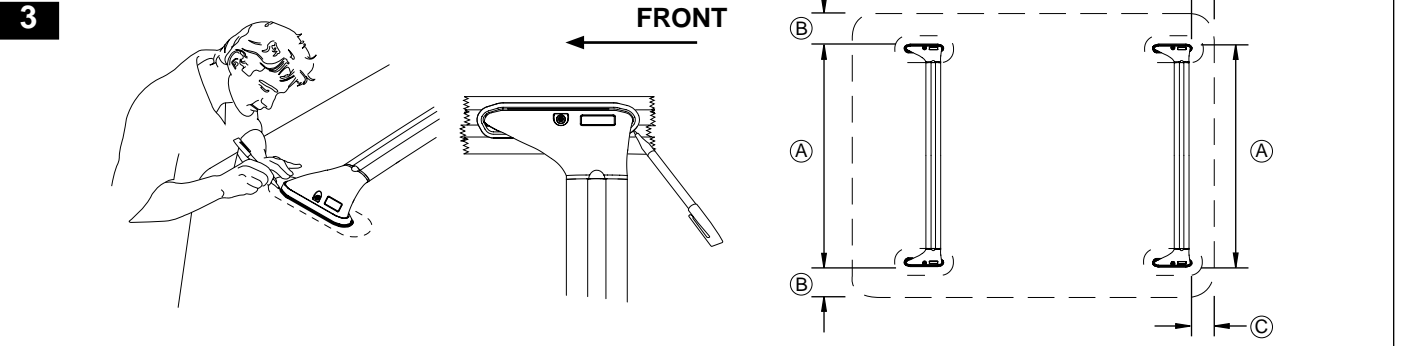


2

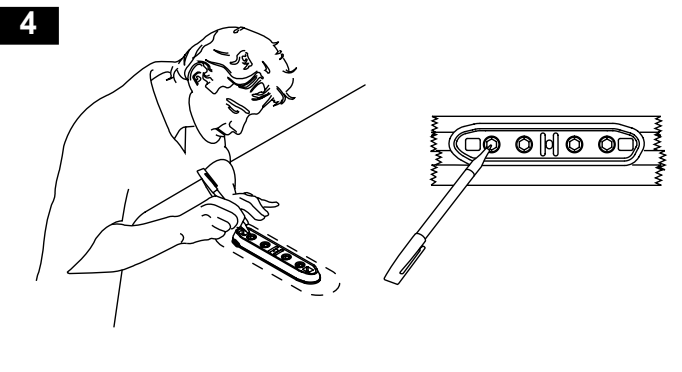
Locate legs into crossbar, use rubber mallet if required. Install screw, cross bar rubber and attach base as shown.



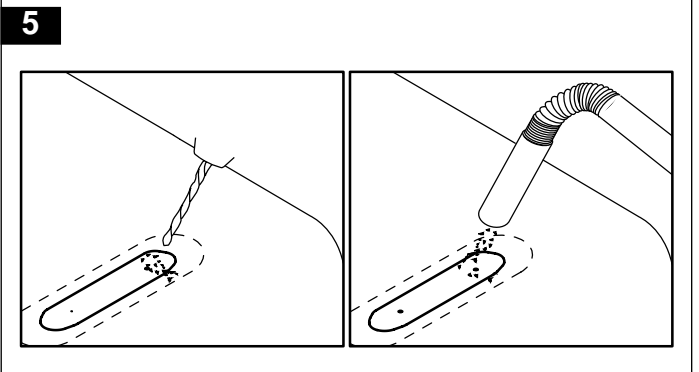
The pads must be fitted as far apart as possible on the outer edge of vehicle roof. Locate masking tape where pads are to be positioned. The pad base must still have full contact with vehicle roof. Place the cross bar and leg assembly onto the roof. Once location has been decided check on underside of vehicle roof for adequate clearance. Ensure cross bars are located as shown. Once position has been finalised trace around the outside edge of the four bases.



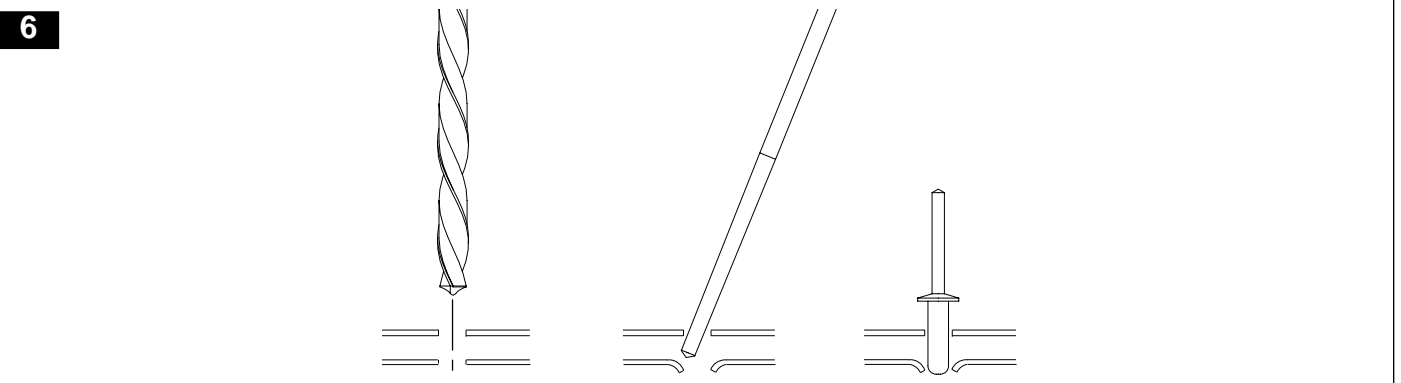
Remove bars from vehicle, then remove pads from legs. Relocate pads, mark all four holes and accurately centre punch all holes for drilling.



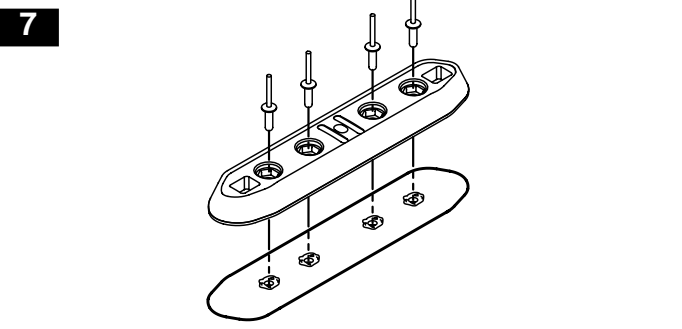
Drill holes using a 5mm drill bit. A drill stop is recommended to prevent drilling through roof lining. Vacuum vehicle roof to remove metal filings, remove masking tape.



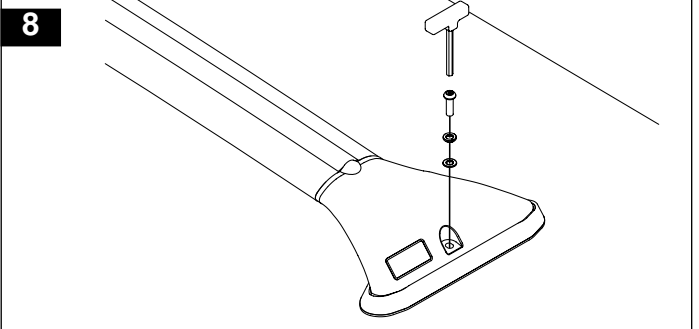
A rivet must be located into each hole and checked that it fully penetrates. If a second skin is encountered, drill second skin then with a centre punch counter sink the hole to allow clearance for rivet.
NOTE: Failing to do this correctly may result in vehicle roof damage due to rivet catching on second skin.



Apply cold galvanising paint around holes, once dry apply Selleys Butyl Mastic. Place pads on roof and rivet as shown.



Attach cross bars to pads as shown. Tighten bolt to 3-4Nm.



Important Information

RECOMMENDATIONS:

Please refer to your vehicle manufacturers operating manual for maximum roof load rating.

It is essential that all bolt connections be checked after driving a short distance when you first install your Rhino Sportz Cross bars.

Bolt connections should be checked again at regular intervals (probably once a week is enough, depending on road conditions, usage, loads and distances travelled). You should also check the roof bars each time they are refitted.

Cross bars and accessories should be cleaned and all screw threads should be lubricated at regular intervals.

Rhino-Rack offers a 3 year warranty to the original purchaser of the Rhino Sportz Cross bar system and Accessories.

Rhino-Rack cannot be held responsible for incorrect mounting of the cross bars system or for usage that exceeds vehicle and production tolerances.

Make sure to fasten your load securely.

Please ensure that all loads are evenly distributed and that the centre of gravity is kept as low as possible.

USE ONLY NON-STRETCH FASTENING ROPES OR STRAPS.

SENSITIVITY TO CROSS WINDS, BEHAVIOUR IN CURVES AND BRAKING.

The handling characteristics of the vehicle change when you transport a load on the roof. For safety reasons, we recommend you exercise extreme care when transporting wind-resisting loads; special consideration must be taken into account when braking.

PLEASE REMOVE CROSS BARS WHEN PUTTING VEHICLE THROUGH AN AUTOMATIC CAR WASH.

LOAD RATINGS:

The vehicle manufactures recommended load rating is the maximum permissible load per pair of cross bars (include the weight of the cross bars, 5kg). When cross bars are to be used in extreme off-road conditions please build a safety factor of 1.5 into this maximum load limit. Although cross bars are tested and approved to AS1235-2000, Australian road conditions can be much more rigorous.

NOTE FOR FITTERS AND DEALERS:

It is your responsibility to ensure instructions are given to the end user or client.

Rhino-Rack
3 Pike Street, Rydalmere,
NSW 2116, Australia.
(Ph) (02) 9638 4744
(Fax) (02) 9638 4822

Document No: RS-67

Prepared By: Craig Jones

Authorised By: Gary England

Issue No: 02

Issue Date: 24/11/2004

These instructions remain the property of Fetovu Pty Ltd T/as Rhino-Rack and may not be used or changed for any other purpose than intended.